



**THIS PAGE LEFT INTENTIONALLY BLANK**

**REVISION HISTORY**

<b>Rev</b>	<b>Date</b>	<b>Reason for change</b>
0	July 5, 2000	Creation
1	August 28, 2000	M4 Release
2	June 07, 2007	Table 7.5- 1: update VR for tag (0039,xx20) and (0039,xx30)

**THIS PAGE LEFT INTENTIONALLY BLANK**

## TABLE OF CONTENTS

<b>1. INTRODUCTION .....</b>	<b>1-1</b>
<b>1.1 OVERVIEW .....</b>	<b>1-1</b>
<b>1.2 OVERALL DICOM CONFORMANCE STATEMENT DOCUMENT STRUCTURE .....</b>	<b>1-2</b>
<b>1.3 INTENDED AUDIENCE.....</b>	<b>1-3</b>
<b>1.4 SCOPE AND FIELD OF APPLICATION.....</b>	<b>1-4</b>
<b>1.5 IMPORTANT REMARKS .....</b>	<b>1-4</b>
<b>1.6 REFERENCES.....</b>	<b>1-5</b>
<b>1.7 DEFINITIONS.....</b>	<b>1-5</b>
<b>1.8 SYMBOLS AND ABBREVIATIONS .....</b>	<b>1-5</b>
<b>2. NETWORK CONFORMANCE STATEMENT .....</b>	<b>2-1</b>
<b>2.1 INTRODUCTION.....</b>	<b>2-1</b>
<b>2.2 IMPLEMENTATION MODEL .....</b>	<b>2-1</b>
2.2.1 Application Data Flow Diagram.....	2-1
2.2.2 Functional Definition of AE's .....	2-3
2.2.3 Sequencing of Real-World Activities.....	2-3
<b>2.3 AE SPECIFICATIONS .....</b>	<b>2-4</b>
2.3.1 DICOM SERVER AE Specification .....	2-4
2.3.1.1 Association Establishment Policies .....	2-6
2.3.1.1.1 General.....	2-6
2.3.1.1.2 Number of Associations.....	2-7
2.3.1.1.3 Asynchronous Nature .....	2-7
2.3.1.1.4 Implementation Identifying Information.....	2-7
2.3.1.1.5 Real-World Activity: Manual Transmit Patients/Studies/Series/images.....	2-7
2.3.1.1.5.1 Associated Real-World Activity.....	2-7
2.3.1.1.5.2 Association Initiation Policy .....	2-8
2.3.1.1.5.3 Proposed Presentation Context Table .....	2-8
2.3.1.1.5.3.1 SOP Specific DICOM Conformance Statement for Image Storage SOP Classes .....	2-10
2.3.1.1.6 Real-World Activity: Manual Query/Retrieve.....	2-11
2.3.1.1.6.1 Associated Real-World Activity.....	2-11
2.3.1.1.6.2 Association Initiation Policy .....	2-11
2.3.1.1.6.3 Proposed Presentation Context Table .....	2-12
2.3.1.1.6.3.1 SOP Specific DICOM Conformance Statement for the Model, Study Root Query/Retrieve Information Model -FIND SOP Class.....	2-13
2.3.1.1.6.3.2 SOP Specific DICOM Conformance Statement for the Patient Root Query/Retrieve Information Model -MOVE , Study Root Query/Retrieve Information Model - MOVE SOP Classes .....	2-14
2.3.1.1.7 Real-World Activity "Image Installation" .....	2-15
2.3.1.1.7.1 Associated Real-World Activity.....	2-15
2.3.1.1.7.2 Association Acceptance Policy.....	2-15
2.3.1.1.7.3 Accepted Presentation Context Table.....	2-16

- 2.3.1.1.7.3.1 SOP Specific DICOM Conformance Statement for all Storage SOP Classes ..... 2-17
- 2.3.1.1.7.4 Presentation Context Acceptance Criterion ..... 2-18
- 2.3.1.1.7.5 Transfer Syntax Selection Policies ..... 2-19

**2.4 COMMUNICATION PROFILES.....2-19**

- 2.4.1 Supported Communication Stacks (PS 3.8, PS 3.9) ..... 2-19
- 2.4.2 OSI Stack..... 2-19
- 2.4.3 TCP/IP Stack..... 2-19
  - 2.4.3.1 APL..... 2-19
  - 2.4.3.2 Physical Media Support ..... 2-19
- 2.4.4 Point-to-Point Stack ..... 2-19

**2.5 EXTENSIONS / SPECIALIZATIONS / PRIVATIZATIONS.....2-19**

- 2.5.1 Standard Extended /Specialized/Private SOPs ..... 2-19
  - 2.5.1.1 Private SOP Class GE DICOM Private 3D object..... 2-19
  - 2.5.1.2 Private SOP Class GE DICOM RT Plan ..... 2-19
  - 2.5.1.3 Private SOP Class GE DICOM STDS..... 2-19
- 2.5.2 Private Transfer Syntaxes ..... 2-20

**2.6 CONFIGURATION .....2-20**

- 2.6.1 AE Title/Presentation Address Mapping ..... 2-20
- 2.6.2 Configurable Parameters..... 2-20

**2.7 SUPPORT OF EXTENDED CHARACTER SETS .....2-20**

**3. MEDIA STORAGE CONFORMANCE STATEMENT .....3-1**

**3.1 INTRODUCTION.....3-1**

**3.2 IMPLEMENTATION MODEL .....3-1**

- 3.2.1 Application Data Flow Diagram..... 3-1
- 3.2.2 Functional Definition of AE's ..... 3-4
- 3.2.3 Functional Definition of the DICOM Media Server AE..... 3-4
  - 3.2.3.1 Functional definition of the CDR/CDROM DICOM Media Server AE..... 3-4
  - 3.2.3.2 Functional definition of the MOD DICOM Media Server AE..... 3-4
- 3.2.4 Sequencing Requirements..... 3-5
- 3.2.5 File Meta Information Options (See PS3.10)..... 3-5

**3.3 AE SPECIFICATIONS .....3-5**

- 3.3.1 DICOM CDR/CDROM SERVER AE Specification ..... 3-5
  - 3.3.1.1 File Meta Information for the DICOM CDR/CDROM Application Entity ..... 3-5
  - 3.3.1.2 Real-World Activities for the DICOM CDR/CDROM Application Entity..... 3-5
    - 3.3.1.2.1 Real-World Activity (RWA) "Browse CD"..... 3-5
      - 3.3.1.2.1.1 Media Storage Application Profile for the RWA "Browse CD":..... 3-6
        - 3.3.1.2.1.1.1 Options:..... 3-6
      - 3.3.1.2.2 Real-World Activity (RWA) "Restore CD" ..... 3-6
        - 3.3.1.2.2.1 Media Storage Application Profile for the RWA "Restore CD": ..... 3-6
          - 3.3.1.2.2.1.1 Options:..... 3-6
      - 3.3.1.2.3 Real-World Activity (RWA) "Archive CD"..... 3-7
        - 3.3.1.2.3.1 Media Storage Application Profile for the RWA "Archive CD":..... 3-8
          - 3.3.1.2.3.1.1 Options:..... 3-8
  - 3.3.2 DICOM MOD SERVER AE Specification ..... 3-9
    - 3.3.2.1 File Meta Information for the DICOM MOD Application Entity ..... 3-9
    - 3.3.2.2 Real-World Activities for the DICOM MOD Application Entity ..... 3-10
      - 3.3.2.2.1 Real-World Activity (RWA) "Browse MOD" ..... 3-10
        - 3.3.2.2.1.1 Media Storage Application Profile for the RWA "Browse MOD":..... 3-10
          - 3.3.2.2.1.1.1 Options:..... 3-10

- 3.3.2.2.2 Real-World Activity (RWA) "Restore MOD" ..... 3-10
  - 3.3.2.2.2.1 Media Storage Application Profile for the RWA "Restore MOD":..... 3-10
    - 3.3.2.2.2.1.1 Options:..... 3-11
- 3.3.2.2.3 Real-World Activity (RWA) "Archive MOD" ..... 3-11
  - 3.3.2.2.3.1 Media Storage Application Profile for the RWA "Archive MOD": ..... 3-11
    - 3.3.2.2.3.1.1 Options:..... 3-12
- 3.3.2.2.4 Real-World Activity (RWA) "Format MOD" ..... 3-12
  - 3.3.2.2.4.1 Media Storage Application Profile for the RWA "Format MOD": ..... 3-12
    - 3.3.2.2.4.1.1 Options:..... 3-12
- 3.4 Augmented and Private Application Profiles.....3-13**
  - 3.4.1 Augmented Application Profiles ..... 3-13
    - 3.4.1.1 Augmented Application Profile AUG-XA-CD..... 3-13
      - 3.4.1.1.1 SOP Class Augmentations..... 3-13
      - 3.4.1.1.2 Directory Augmentations ..... 3-14
      - 3.4.1.1.3 Other Augmentations..... 3-14
  - 3.4.2 Private Application Profiles ..... 3-14
- 3.5 EXTENSIONS, SPECIALIZATIONS, PRIVATIZATIONS of SOP Classes and Transfer Syntaxes.....3-14**
  - 3.5.1 Extensions, Specializations, and Privatizations of SOP Classes ..... 3-14
    - 3.5.1.1 SOP Specific Conformance Statement for SOP Media Storage Directory ..... 3-14
    - 3.5.1.2 Private data dictionary..... 3-16
  - 3.5.2 Private Transfer Syntax Specification..... 3-16
- 3.6 CONFIGURATION .....3-16**
- 3.7 SUPPORT OF EXTENDED CHARACTER SETS .....3-16**
- 4. STUDY ROOT QUERY/RETRIEVE INFORMATION MODEL DEFINITION ..... 4-1**
  - 4.1 introduction .....4-1**
  - 4.2 Study Root Information Model Description .....4-1**
  - 4.3 Study Root Information Model Entity-Relationship Model .....4-1**
    - 4.3.1 Entity Descriptions..... 4-2
    - 4.3.2 Advantage Workstation 4.0 Mapping of DICOM entities..... 4-2
  - 4.4 INFORMATION Model Keys.....4-2**
    - 4.4.1 Supported Matching..... 4-2
    - 4.4.2 Study Level..... 4-3
    - 4.4.3 Series Level..... 4-3
    - 4.4.4 Image Level..... 4-4
  - 4.5 PRIVATE data dictionary.....4-5**
- 5. NETWORK PRINT SCU CONFORMANCE STATEMENT ..... 5-1**
  - 5.1 INTRODUCTION.....5-1**
  - 5.2 IMPLEMENTATION MODEL .....5-1**
    - 5.2.1 Application Data Flow Diagram..... 5-1
    - 5.2.2 Functional Definition of AE's ..... 5-1
    - 5.2.3 Sequencing of Real-World Activities..... 5-2
      - 5.2.3.1 Manual Image Print ..... 5-2
  - 5.3 AE SPECIFICATIONS .....5-3**

- 5.3.1 DICOM Print SCU AE Specification ..... 5-3
  - 5.3.1.1 Association Establishment Policies ..... 5-3
    - 5.3.1.1.1 General ..... 5-3
    - 5.3.1.1.2 Number of Associations ..... 5-3
    - 5.3.1.1.3 Asynchronous Nature ..... 5-3
    - 5.3.1.1.4 Implementation Identifying Information ..... 5-4
  - 5.3.1.2 Association Initiation Policy ..... 5-4
    - 5.3.1.2.1 Real-World Activity “Manual Image Print” ..... 5-4
      - 5.3.1.2.1.1 Associated Real-World Activity ..... 5-4
      - 5.3.1.2.1.2 Proposed Presentation Context Table ..... 5-4
        - 5.3.1.2.1.2.1 SOP Specific DICOM Conformance Statement for Print Management SOP Classes ..... 5-4
- 5.4 COMMUNICATION PROFILES ..... 5-4
  - 5.4.1 Supported Communication Stacks (PS 3.8, PS 3.9) ..... 5-4
  - 5.4.2 OSI Stack ..... 5-4
  - 5.4.3 TCP/IP Stack ..... 5-5
    - 5.4.3.1 APL ..... 5-5
    - 5.4.3.2 Physical Media Support ..... 5-5
  - 5.4.4 Point-to-Point Stack ..... 5-5
- 5.5 EXTENSIONS / SPECIALIZATIONS / PRIVATIZATIONS ..... 5-5
  - 5.5.1 Standard Extended /Specialized/Private SOP Classes ..... 5-5
  - 5.5.2 Private Transfer Syntaxes ..... 5-5
- 5.6 CONFIGURATION ..... 5-5
  - 5.6.1 AE Title/Presentation Address Mapping ..... 5-5
  - 5.6.2 Configurable Parameters ..... 5-5
- 5.7 SUPPORT OF EXTENDED CHARACTER SETS ..... 5-6

**6. PRINT MANAGEMENT SOP CLASS DEFINITION ..... 6-1**

- 6.1 INTRODUCTION ..... 6-1
- 6.2 Print management SOP class definitions ..... 6-1
  - 6.2.1 Basic Film Session SOP Class ..... 6-1
    - 6.2.1.1 IOD Description ..... 6-2
      - 6.2.1.1.1 IOD modules ..... 6-2
      - 6.2.1.1.2 Basic Film Session Presentation Module ..... 6-2
      - 6.2.1.1.3 Basic Film Session Relationship Module ..... 6-2
    - 6.2.1.2 DIMSE Service Group ..... 6-2
      - 6.2.1.2.1 N-CREATE ..... 6-3
        - 6.2.1.2.1.1 Attributes ..... 6-3
        - 6.2.1.2.1.2 Status ..... 6-3
        - 6.2.1.2.1.3 Behavior ..... 6-3
      - 6.2.1.2.2 N-SET ..... 6-3
      - 6.2.1.2.3 N-DELETE ..... 6-3
      - 6.2.1.2.4 N-ACTION ..... 6-3
  - 6.2.2 Basic Film Box SOP Class ..... 6-3
    - 6.2.2.1 IOD Description ..... 6-5
      - 6.2.2.1.1 IOD modules ..... 6-5
      - 6.2.2.1.2 Basic Film Box Presentation Module ..... 6-5
      - 6.2.2.1.3 Basic Film Box Relationship Module ..... 6-6
    - 6.2.2.2 DIMSE Service Group ..... 6-6
      - 6.2.2.2.1 N-CREATE ..... 6-7
        - 6.2.2.2.1.1 Attributes ..... 6-7
        - 6.2.2.2.1.2 Status ..... 6-7



- 6.2.2.2.1.3 Behavior..... 6-7
- 6.2.2.2.2 N-DELETE..... 6-7
  - 6.2.2.2.2.1 Behavior..... 6-7
- 6.2.2.2.3 N-ACTION..... 6-8
  - 6.2.2.2.3.1 Attributes..... 6-8
  - 6.2.2.2.3.2 Status..... 6-8
  - 6.2.2.2.3.3 Behavior..... 6-8
- 6.2.3 Image Box SOP Classes ..... 6-8
  - 6.2.3.1 Basic Grayscale Image Box SOP Class..... 6-8
    - 6.2.3.1.1 IOD description..... 6-9
      - 6.2.3.1.1.1 IOD modules ..... 6-9
      - 6.2.3.1.1.2 Image Box Pixel Presentation Module ..... 6-9
      - 6.2.3.1.1.3 Image Box Relationship Module ..... 6-10
    - 6.2.3.1.2 DIMSE Service Group..... 6-10
      - 6.2.3.1.2.1 N-SET ..... 6-11
        - 6.2.3.1.2.1.1 Attributes ..... 6-11
        - 6.2.3.1.2.1.2 Status..... 6-11
        - 6.2.3.1.2.1.3 Behavior..... 6-11
  - 6.2.3.1.2.1 N-SET ..... 6-11
    - 6.2.3.1.2.1.1 Attributes ..... 6-11
    - 6.2.3.1.2.1.2 Status..... 6-11
    - 6.2.3.1.2.1.3 Behavior..... 6-11
- 6.2.4 Printer SOP Class..... 6-11
  - 6.2.4.1 IOD Description..... 6-12
    - 6.2.4.1.1 IOD modules ..... 6-12
    - 6.2.4.1.2 Printer Module..... 6-13
  - 6.2.4.2 DIMSE Service Group..... 6-13
    - 6.2.4.2.1 N-EVENT-REPORT ..... 6-13
      - 6.2.4.2.1.1 Attributes..... 6-13
      - 6.2.4.2.1.2 Behavior..... 6-13
    - 6.2.4.2.2 N-GET..... 6-14
      - 6.2.4.2.2.1 Attributes..... 6-14
      - 6.2.4.2.2.2 Behavior..... 6-14

- 6.2.5 Print Job SOP Class ..... 6-14
- 6.2.6 Basic Annotation Box SOP Class..... 6-14
- 6.2.7 Image Overlay Box SOP Class ..... 6-14

- 7. SC INFORMATION OBJECT IMPLEMENTATION..... 7-1**
  - 7.1 introduction..... 7-1**
  - 7.2 SC Entity-Relationship Model ..... 7-1**
    - 7.2.1 ENTITY DESCRIPTIONS..... 7-2
    - 7.2.2 Advantage Workstation 4.0 Mapping of DICOM entities..... 7-3
  - 7.3 SC-IOD MODULE TABLE..... 7-3**
  - 7.4 SC-INFORMATION MODULE DEFINITIONS ..... 7-4**
    - 7.4.1 Common Patient Entity Modules ..... 7-4
      - 7.4.1.1 Patient Module ..... 7-4
    - 7.4.2 Common Study Entity Modules ..... 7-5
      - 7.4.2.1 General Study Module..... 7-5
      - 7.4.2.2 Patient Study Module..... 7-6
    - 7.4.3 Common Series Entity Modules ..... 7-7
      - 7.4.3.1 General Series Module..... 7-7
    - 7.4.4 Common Equipment Entity Modules..... 7-7
      - 7.4.4.1 General Equipment Module ..... 7-7
        - 7.4.4.1.1 General Equipment Attribute Descriptions..... 7-8
          - 7.4.4.1.1.1 Pixel Padding Value..... 7-8
    - 7.4.5 Common Image Entity Modules ..... 7-8
      - 7.4.5.1 General Image Module..... 7-8

- 7.4.5.1.1 General Image Attribute Descriptions..... 7-9
  - 7.4.5.1.1.1 Patient Orientation..... 7-9
  - 7.4.5.1.1.2 Image Type..... 7-9
  - 7.4.5.1.1.3 Derivation Description and Source Image Sequence..... 7-9
  - 7.4.5.1.1.4 Lossy Image Compression..... 7-9
- 7.4.5.2 Image Pixel Module..... 7-10
- 7.4.6 Overlay Plan Modules..... 7-11
- 7.4.7 Lookup Table Modules..... 7-11
  - 7.4.7.1 VOI LUT module..... 7-11
  - 7.4.7.2 Modality LUT module..... 7-12
- 7.4.8 General Modules..... 7-13
  - 7.4.8.1 SOP Common Module..... 7-13
- 7.4.9 SC Modules..... 7-13
  - 7.4.9.1 SC Equipment Module..... 7-13
  - 7.4.9.2 SC Image Module..... 7-14
- 7.5 PRiVate data dictionary..... 7-14
- 8. PRIVATE OBJECT INFORMATION OBJECT IMPLEMENTATION ..... 8-1**
  - 8.1 introduction.....8-1
  - 8.2 SC Entity-Relationship Model .....8-1
    - 8.2.1 ENTITY DESCRIPTIONS..... 8-2
    - 8.2.2 Advantage Workstation 4.0 Mapping of DICOM entities..... 8-3
  - 8.3 DPO-IOD MODULE TABLE.....8-3
  - 8.4 DPO-INFORMATION MODULE DEFINITIONS.....8-4
    - 8.4.1 Common Patient Entity Modules..... 8-4
      - 8.4.1.1 Patient Module..... 8-4
    - 8.4.2 Common Study Entity Modules..... 8-5
      - 8.4.2.1 General Study Module..... 8-5
      - 8.4.2.2 Patient Study Module..... 8-6
    - 8.4.3 Common Series Entity Modules..... 8-6
      - 8.4.3.1 General Series Module..... 8-6
    - 8.4.4 Common Equipment Entity Modules..... 8-6
      - 8.4.4.1 General Equipment Module..... 8-6
        - 8.4.4.1.1 General Equipment Attribute Descriptions..... 8-7
          - 8.4.4.1.1.1 Pixel Padding Value..... 8-7
    - 8.4.5 Common Image Entity Modules..... 8-7
      - 8.4.5.1 General Image Module..... 8-7
    - 8.4.6 General Modules..... 8-8
      - 8.4.6.1 SOP Common Module..... 8-8
  - 8.5 PRiVate data dictionary.....8-8

# 1. INTRODUCTION

## 1.1 OVERVIEW

This DICOM Conformance Statement is divided into Sections as described below:

**Section 1 (Introduction)**, which describes the overall structure, intent, and references for this Conformance Statement

**Section 2 (Network Conformance Statement)**, which specifies the GEMS equipment compliance to the DICOM requirements for the implementation of Networking features.

**Section 3 (Media Storage Conformance Statement)**, which. specifies the GEMS equipment compliance to the DICOM requirements for the implementation of Media Storage features

**Section 4 (Study Root Query/Retrieve Information Model)**, which specifies the GEMS equipment compliance to the DICOM requirements for the Study Root Query/Retrieve Information Model feature.

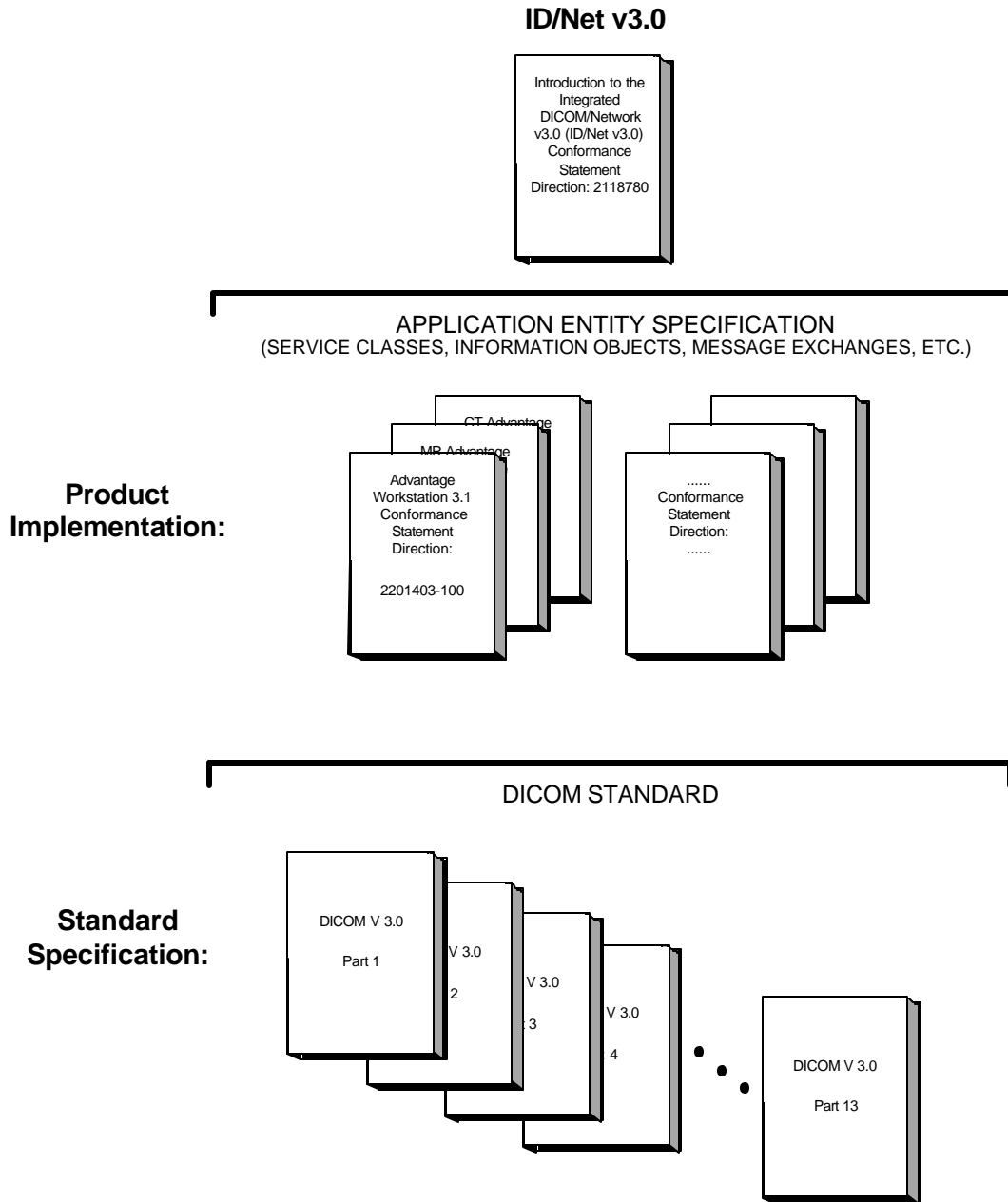
**Section 5 (Network Print SCU Conformance Statement)**, which specifies the GEMS equipment compliance to the DICOM requirements for the implementation of Network Print features.

**Section 6 (Network Print Management SOP Class definition)** which specifies the GEMS equipment compliance to the DICOM requirements for the implementation of Network Print Management SOP Class.

**Section 7 (SC Information Object Implementation)**, which specifies the GEMS equipment compliance to the DICOM requirements for the implementation of SC Information Object Implementation feature.

### 1.2 OVERALL DICOM CONFORMANCE STATEMENT DOCUMENT STRUCTURE

The Documentation Structure of the GEMS Conformance Statements and their relationship with the DICOM v3.0 Conformance Statements is shown in the Illustration below.



This document specifies the DICOM v3.0 implementation. It is entitled:

*Advantage Workstation 4.0*

*Conformance Statement for DICOM v3.0*  
*Direction 2201403-100*

This DICOM Conformance Statement documents the DICOM v3.0 Conformance Statement and Technical Specification required to interoperate with the GEMS network interface. Introductory information, which is applicable to all GEMS Conformance Statements, is described in the document:

*Introduction to the Integrated DICOM/Network v3.0 (ID/Net v3.0)*  
*Conformance Statement*  
*Direction: 2118780.*

This Introduction familiarizes the reader with DICOM terminology and general concepts. It should be read prior to reading the individual products' GEMS Conformance Statements.

The GEMS Conformance Statement, contained in this document, also specifies the Lower Layer communications which it supports (e.g., TCP/IP). However, the Technical Specifications are defined in the DICOM v3.0 Part 8 standard.

For more information including Network Architecture and basic DICOM concepts, please refer to the Introduction.

For the convenience of software developers, there is "collector" Direction available. By ordering the collector, the Introduction described above and all of the currently published GEMS Product Conformance Statements will be received. The collector Direction is:

*ID/Net v3.0 Conformance Statements*  
*Direction: 2117016*

For more information regarding DICOM v3.0, copies of the Standard may be obtained by written request or phone by contacting:

NEMA Publication  
1300 North 17th Street  
Suite 1847  
Rosslyn, VA 22209  
USA  
Phone: (703) 841-3200

### **1.3 INTENDED AUDIENCE**

The reader of this document is concerned with software design and/or system integration issues. It is assumed that the reader of this document is familiar with the DICOM v3.0 Standards and with the terminology and concepts which are used in those Standards.

If readers are unfamiliar with DICOM v3.0 terminology they should first refer to the document listed below, then read the DICOM v3.0 Standard itself, prior to reading this DICOM Conformance Statement document.

*Introduction to the Integrated DICOM/Network v3.0 (ID/Net v3.0)*  
*Conformance Statement*  
*Direction: 2118780*

#### 1.4 SCOPE AND FIELD OF APPLICATION

It is the intent of this document, in conjunction with the *Introduction to the Integrated DICOM/Network v3.0 (ID/Net v3.0) Conformance Statement, Direction: 2118780*, to provide an unambiguous specification for GEMS implementations. This specification, called a Conformance Statement, includes a DICOM v3.0 Conformance Statement and is necessary to ensure proper processing and interpretation of GEMS medical data exchanged using DICOM v3.0. The GEMS Conformance Statements are available to the public.

The reader of this DICOM Conformance Statement should be aware that different GEMS devices are capable of using different Information Object Definitions. For example, a GEMS CT Scanner may send images using the CT Information Object, MR Information Object, Secondary Capture Object, etc.

Included in this DICOM Conformance Statement are the Module Definitions which define all data elements used by this GEMS implementation. If the user encounters unspecified private data elements while parsing a GEMS Data Set, the user is well advised to ignore those data elements (per the DICOM v3.0 standard). Unspecified private data element information is subject to change without notice. If, however, the device is acting as a "full fidelity storage device", it should retain and re-transmit all of the private data elements which are sent by GEMS devices.

#### 1.5 IMPORTANT REMARKS

The use of these DICOM Conformance Statements, in conjunction with the DICOM v3.0 Standards, is intended to facilitate communication with GE imaging equipment. However, **by itself, it is not sufficient to ensure that inter-operation will be successful**. The **user (or user's agent)** needs to proceed with caution and address at least four issues:

- **Integration** - The integration of any device into an overall system of interconnected devices goes beyond the scope of standards (DICOM v3.0), and of this introduction and associated DICOM Conformance Statements when interoperability with non-GE equipment is desired. The responsibility to analyze the applications requirements and to design a solution that integrates GE imaging equipment with non-GE systems is the **user's** responsibility and should not be underestimated. The **user** is strongly advised to ensure that such an integration analysis is correctly performed.
- **Validation** - Testing the complete range of possible interactions between any GE device and non-GE devices, before the connection is declared operational, should not be overlooked. Therefore, the **user** should ensure that any non-GE provider accepts full responsibility for all validation required for their connection with GE devices. This includes the accuracy of the image data once it has crossed the interface between the GE imaging equipment and the non-GE device and the stability of the image data for the intended applications.

Such a validation is required before any clinical use (diagnosis and/or treatment) is performed. It applies when images acquired on GE imaging equipment are processed/displayed on a non-GE device, as well as when images acquired on non-GE equipment is processed/displayed on a GE console or workstation.

- **Future Evolution** - GE understands that the DICOM Standard will evolve to meet the user's growing requirements. GE is actively involved in the development of the DICOM v3.0 Standard. DICOM v3.0 will incorporate new features and technologies and GE may follow the evolution of the Standard. The GEMS protocol is based on DICOM v3.0 as specified in each DICOM Conformance Statement. Evolution of the Standard may require changes to devices which have implemented DICOM v3.0. **In addition, GE reserves the right to discontinue or make changes to the support of communications features (on its products) reflected on by these DICOM Conformance Statements**. The **user** should ensure that any non-GE provider, which connects with GE devices, also plans for the future evolution of

the DICOM Standard. Failure to do so will likely result in the loss of function and/or connectivity as the DICOM Standard changes and GE Products are enhanced to support these changes.

- **To be informed of the evolution of the implementation described in this document, the User is advised to regularly check the GE Internet Server, accessible via anonymous ftp (GE Internet Server Address: ftp.med.ge.com, 192.88.230.11).**
- **Interaction** - It is the sole responsibility of the **non-GE provider** to ensure that communication with the interfaced equipment does not cause degradation of GE imaging equipment performance and/or function.

## 1.6 REFERENCES

A list of references which is applicable to all GEMS Conformance Statements is included in the *Introduction to the Integrated DICOM/Network v3.0 (ID/Net v3.0) Conformance Statement, Direction: 2118780.*

The information object implementation refers to DICOM PS 3.3 (Information Object Definition).

The media storage implementation refers to DICOM supplement 14 which describes the "General Purpose Profile" for writing CD-Rs and to supplement 18 which describes the DICOM CT/MR profile.

## 1.7 DEFINITIONS

A set of definitions which is applicable to all GEMS Conformance Statements is included in the *Introduction to the Integrated DICOM/Network v3.0 (ID/Net v3.0) Conformance Statement, Direction: 2118780.*

## 1.8 SYMBOLS AND ABBREVIATIONS

A list of symbols and abbreviations which is applicable to all GEMS Conformance Statements is included in the *Introduction to the Integrated DICOM/Network v3.0 (ID/Net v3.0) Conformance Statement, Direction: 2118780.*

**THIS PAGE LEFT INTENTIONALLY BLANK**



## 2. NETWORK CONFORMANCE STATEMENT

### 2.1 INTRODUCTION

This section of the DICOM Conformance Statement specifies the compliance to DICOM conformance requirements for the relevant **Networking** features on this GEMS product. Note that the format of this section strictly follows the format defined in DICOM Standard PS 3.2 (Conformance). Please refer to that part of the standard while reading this section.

The Advantage Workstation 4.0 is a Networked Medical Imaging Console dedicated to Examination Review and Diagnosis. The workstation uses DICOM services to import images for possible further analysis or processing and to export images to other vendors.

The station provides a basis for applications built on top of it. These applications can create specific Information Object Definitions that will be described in the conformance statement of the added applications. The added applications can benefit the network facilities provided by the station.

This DICOM conformance statement refers to DICOM Supplement 4, 6, 11 for the description of standard IODs.

This DICOM conformance statement refers to other DICOM conformance statements for formal descriptions of IODs created by added applications:

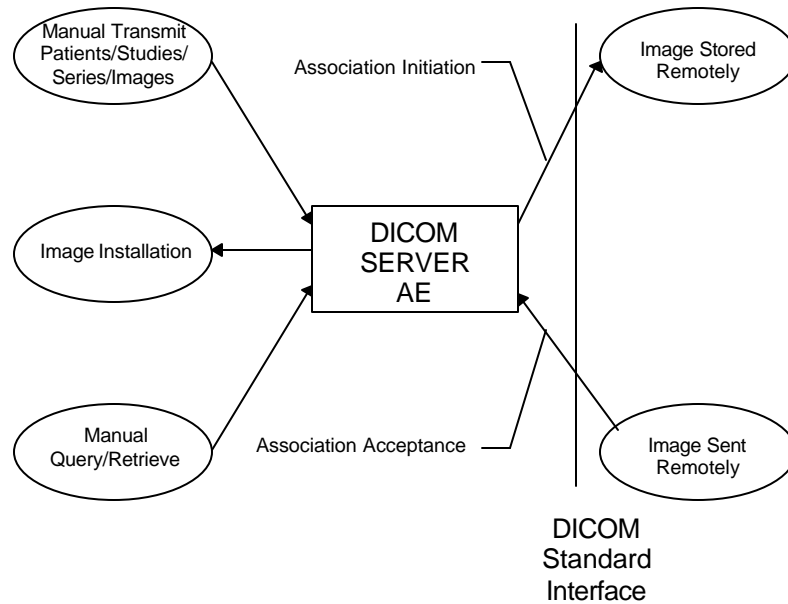
- GE Private 3D Model Objects are described in the Advantage Windows Voxtool 2.0 DICOM Conformance Statement (Direction Number: 2198583-100)
- GE Private DICOM RT Plan are described in the Advantage SIM 2.0 DICOM Conformance Statement (Direction Number: 2180316-100)
- GE Private DICOM Saturn TDS (STDS) Objects are not described in any Conformance Statement.
- GE private DICOM NM images are described in the GENIE™ Processing & Review R2.6 DICOM Conformance Statement (Direction number: 2260424-100)
- GE private DICOM PET images are described in the Advance 4.05 DICOM Conformance Statement (Direction number: 2270669-100 Rev. 0.3)

### 2.2 IMPLEMENTATION MODEL

#### 2.2.1 Application Data Flow Diagram

The Basic and Specific Application models for this station are shown in the following Illustration:

DICOM SERVER AE APPLICATION MODEL



**Note:** Please also refer to sections 3 and 6 of the current document for Media Storage and Network Print Management SCU Conformance Statement.

The DICOM SERVER Application Entity (AE) is an application which handles DICOM protocol communication. DICOM SERVER AE is automatically brought up when the Advantage Workstation 4.0 is powered on.

All remote DICOM AE must be manually configured on the Advantage Workstation 4.0 by an operator or by a field engineer.

The DICOM SERVER AE is invoked by the following Real World Activities:

- Manual Transmit Patients/Studies/Series/Images from the Advantage Workstation 4.0 to a Remote Host.

For this operation, the operator selects some patients, studies, series or images on the console browser and then sends the selected patients, studies, series or images on one or several remote DICOM AE by a drag and drop on the icon that represents the wanted remote DICOM AE.

The declaration of remote DICOM AE is done through a specific menu (known as NETWORK MANAGEMENT menu).

The visualization of the transfer status is done on a specific message window.

- Images Sent Remotely from a Remote DICOM AE to the Advantage Workstation 4.0. When images are installed in the local database, they are displayed in the Advantage Workstation 4.0 local database.

- Manual Query/Retrieve

For this operation, the operator queries a remote database to obtain a list of data at Patient/Study/Series/Image by clicking on the icon that represents the wanted remote DICOM AE. Once the remote browser is displayed, the operator can retrieve the SOP Classes supported by the Advantage Workstation 4.0 from the remote DICOM AE.

The query is selective based on criteria described below in the document.

### **2.2.2 Functional Definition of AE's**

The DICOM SERVER AE initiates the following operations:

- Access to patient demographics and pixel data in the local database.
- Build a DICOM format data set.
- Initiate a DICOM association to send DICOM SOP Classes to a remote DICOM AE.
- Initiate a DICOM association to ask for remote patient demographics.
- Initiate a DICOM association to ask for transmit images from a remote DICOM AE to Advantage Workstation 4.0.

The DICOM SERVER AE waits for association requests from Remote AE:

- Answer to DICOM associations transmitting DICOM SOP Classes to be stored on the Advantage Workstation 4.0.
- Answer to DICOM associations transmitting Verification SOP Class to the Advantage Workstation 4.0.

### **2.2.3 Sequencing of Real-World Activities**

Not applicable.

**2.3 AE SPECIFICATIONS**

**2.3.1 DICOM SERVER AE Specification**

This Application Entity provides Standard Conformance to the following DICOM V3.0 SOP Classes as an SCU:

<b>SOP Class Name</b>	<b>SOP Class UID</b>
Computed Radiography Image Storage	1.2.840.10008.5.1.4.1.1.1
CT Image Storage	1.2.840.10008.5.1.4.1.1.2
MR Image Storage	1.2.840.10008.5.1.4.1.1.4
Secondary Capture Image Storage	1.2.840.10008.5.1.4.1.1.7
X-Ray Angiographic Image Storage	1.2.840.10008.5.1.4.1.1.12.1
X-Ray Radiofluoroscopic Image Storage	1.2.840.10008.5.1.4.1.1.12.2
Patient Root Query/Retrieve Information Model - MOVE	1.2.840.10008.5.1.4.1.2.1.2
Study Root Query/Retrieve Information Model - FIND	1.2.840.10008.5.1.4.1.2.2.1
Study Root Query/Retrieve Information Model - MOVE	1.2.840.10008.5.1.4.1.2.2.2
Digital X-Ray Image Storage - For Presentation	1.2.840.10008.5.1.4.1.1.1.1
Digital X-Ray Image Storage - For Processing	1.2.840.10008.5.1.4.1.1.1.1.1
Digital Mammography X-Ray Image Storage - For Presentation	1.2.840.10008.5.1.4.1.1.1.2
Digital Mammography X-Ray Image Storage - For Processing	1.2.840.10008.5.1.4.1.1.1.2.1
Nuclear Medicine Image Storage	1.2.840.10008.5.1.4.1.1.20
Standalone Curve Storage	1.2.840.10008.5.1.4.1.1.9
Positron Emission Tomography Image Storage	1.2.840.10008.5.1.4.1.1.128
Standalone PET Curve Storage	1.2.840.10008.5.1.4.1.1.129
RT Image Storage	1.2.840.10008.5.1.4.1.1.481.1
RT Structure Set Storage	1.2.840.10008.5.1.4.1.1.481.3
RT Plan Storage	1.2.840.10008.5.1.4.1.1.481.5
GE Private DICOM RT Plan	1.2.840.113619.4.5.249
NM Genie Private Data	1.2.840.113619.4.27
PET Advance Private Data	1.2.840.113619.4.30
GE Private DICOM 3D Object	1.2.840.113619.4.26

GE Private DICOM Saturn TDS Object	1.2.840.113619.4.5.253
------------------------------------	------------------------

**Note :** C-FIND is done using Study Root Information Model.

**Note :** C-MOVE is done either using Patient Root Information Model when the operator asks for retrieving different patient folders all together at a time or Study Root Information Model in other cases.

**Note :** Please also refer to sections 6 for Network Print Management SCU Conformance Statement.

This Application Entity provides Standard Conformance to the following DICOM V3.0 SOP Classes as an **SCP**:

<b>SOP Class Name</b>	<b>SOP Class UID</b>
Computed Radiography Image Storage	1.2.840.10008.5.1.4.1.1.1
CT Image Storage	1.2.840.10008.5.1.4.1.1.2
MR Image Storage	1.2.840.10008.5.1.4.1.1.4
Secondary Capture Image Storage	1.2.840.10008.5.1.4.1.1.7
Standalone Overlay Storage	1.2.840.10008.5.1.4.1.1.8
X-Ray Angiographic Image Storage	1.2.840.10008.5.1.4.1.1.12.1
X-Ray Radiofluoroscopic Image Storage	1.2.840.10008.5.1.4.1.1.12.2
Verification SOP Class	1.2.840.10008.1.1
Digital X-Ray Image Storage - For Presentation	1.2.840.10008.5.1.4.1.1.1.1
Digital X-Ray Image Storage - For Processing	1.2.840.10008.5.1.4.1.1.1.1.1
Digital Mammography X-Ray Image Storage - For Presentation	1.2.840.10008.5.1.4.1.1.1.2
Digital Mammography X-Ray Image Storage - For Processing	1.2.840.10008.5.1.4.1.1.1.2.1
Nuclear Medicine Image Storage	1.2.840.10008.5.1.4.1.1.20
Standalone Curve Storage	1.2.840.10008.5.1.4.1.1.9
Positron Emission Tomography Image Storage	1.2.840.10008.5.1.4.1.1.128
Standalone PET Curve Storage	1.2.840.10008.5.1.4.1.1.129
RT Image Storage	1.2.840.10008.5.1.4.1.1.481.1
RT Structure Set Storage	1.2.840.10008.5.1.4.1.1.481.3
RT Plan Storage	1.2.840.10008.5.1.4.1.1.481.5
GE Private DICOM RT Plan	1.2.840.113619.4.5.249
NM Genie Private Data	1.2.840.113619.4.27
PET Advance Private Data	1.2.840.113619.4.30
GE Private DICOM 3D Object	1.2.840.113619.4.26
GE Private DICOM Saturn TDS Object	1.2.840.113619.4.5.253

**2.3.1.1 Association Establishment Policies**

**2.3.1.1.1 General**

The DICOM Application Context Name (ACN), which is always proposed, is:

Application Context Name	1.2.840.10008.3.1.1.1
--------------------------	-----------------------

The Maximum Length PDU negotiation is included in all association establishment requests.

The maximumlength PDU for an association initiated by the DICOM SERVER AE is:

Maximum Length PDU	16 Kbytes
--------------------	-----------

**Note:** 0 as PDU length is not supported in this implementation. When receiving a 0 length as PDU max length, the SCP aborts the association.

The SOP Class Extended Negotiation is not supported.

The maximum number of Presentation Context Items that will be proposed is 14.

**Note:** This number can evolve when applications are added on top of Advantage Workstation 4.0, or in particular configurations.

The user information Items sent by this product are:

- Maximum PDU Length
- Implementation UID

#### 2.3.1.1.2 Number of Associations

The DICOM SERVER AE will initiate only one DICOM association at a time to perform a DICOM store operation as a SCU to a Remote Host AE.

The DICOM SERVER AE can have a maximum of 4 open DICOM associations at a time to perform a DICOM store operation as a SCP or respond to an echo.

The DICOM SERVER AE will initiate only one DICOM association at a time to perform a Query/Retrieve with a Remote Host AE.

#### 2.3.1.1.3 Asynchronous Nature

Asynchronous mode is not supported. All operations will be performed synchronously.

#### 2.3.1.1.4 Implementation Identifying Information

The Implementation UID for this DICOM v3.0 Implementation is:

Advantage Workstation 4.0 Implementation UID	1.2.840.113619.6.79
----------------------------------------------	---------------------

#### 2.3.1.1.5 Real-World Activity: Manual Transmit Patients/Studies/Series/images

##### 2.3.1.1.5.1 Associated Real -World Activity

The operator selects in the BROWSER one or several Patient Folders (or Studies/Series/Images) to be sent. Then, the user can either drag and drop the selection on the icon representing then Remote DICOM AE, or click on the "Push" icon and select a Remote DICOM AE in the LIST OF REMOTE HOST.

This operation will cause:

- The Advantage Workstation 4.0 to build a DICOM image from its data.
- The DICOM SERVER AE to initiate a DICOM association, negotiate with the Remote AE an appropriate Abstract and Transfer Syntax.
- To emit C-STORE command to send the image, if the negotiation is successful.

**2.3.1.1.5.2 Association Initiation Policy**

The DICOM SERVER AE initiates a new association for pushing Patient Folders (or Studies/Series/Images) selected by the operator to a remote DICOM AE. This association corresponds to one Real World Activity:

- Manual Transmit Patients/Studies/Series/images

**Note :** The length to End field (0000, 0001) is sent in this implementation.

**2.3.1.1.5.3 Proposed Presentation Context Table**

Presentation Context Table - Proposed					
Abstract Syntax		Transfer Syntax		Role	Extended Negotiation
Name	UID	Name List	UID List		
Computed Radiography Image Storage	1.2.840.10008.5.1.4.1.1.1	Implicit VR Little Endian	1.2.840.10008.1.2	SCU	None
CT Image Storage	1.2.840.10008.5.1.4.1.1.2	Implicit VR Little Endian	1.2.840.10008.1.2	SCU	None
MR Image Storage	1.2.840.10008.5.1.4.1.1.4	Implicit VR Little Endian	1.2.840.10008.1.2	SCU	None
Secondary Capture Image Storage	1.2.840.10008.5.1.4.1.1.7	Implicit VR Little Endian	1.2.840.10008.1.2	SCU	None
X-Ray Angiographic Image Storage	1.2.840.10008.5.1.4.1.1.12.1	Implicit VR Little Endian	1.2.840.10008.1.2	SCU	None
X-Ray Radiofluoroscopic Image Storage	1.2.840.10008.5.1.4.1.1.12.2	Implicit VR Little Endian	1.2.840.10008.1.2	SCU	None
Digital X-Ray Image Storage - For Presentation	1.2.840.10008.5.1.4.1.1.1.1	Implicit VR Little Endian	1.2.840.10008.1.2	SCU	None
Digital X-Ray Image Storage - For Processing	1.2.840.10008.5.1.4.1.1.1.1.1	Implicit VR Little Endian	1.2.840.10008.1.2	SCU	None
Digital Mammography XRay Image Storage - For Presentation	1.2.840.10008.5.1.4.1.1.1.2	Implicit VR Little Endian	1.2.840.10008.1.2	SCU	None
Digital Mammography XRay Image Storage - For Processing	1.2.840.10008.5.1.4.1.1.1.2.1	Implicit VR Little Endian	1.2.840.10008.1.2	SCU	None
Nuclear Medicine Image Storage	1.2.840.10008.5.1.4.1.1.20	Implicit VR Little Endian	1.2.840.10008.1.2	SCU	None
Standalone Curve Storage	1.2.840.10008.5.1.4.1.1.9	Implicit VR Little Endian	1.2.840.10008.1.2	SCU	None



**ADVANTAGE WORKSTATION 4.0  
CONFORMANCE STATEMENT**

**GE MEDICAL SYSTEMS**  
DIR 2261302-100 REV 2

Positron Emission Tomography Image Storage	1.2.840.10008.5.1.4.1.1.128	Implicit VR Little Endian	1.2.840.10008.1.2	SCU	None
Standalone PET Curve Storage	1.2.840.10008.5.1.4.1.1.129	Implicit VR Little Endian	1.2.840.10008.1.2	SCU	None
RT Image Information Storage	1.2.840.10008.5.1.4.1.1.481.1	Implicit VR Little Endian	1.2.840.10008.1.2	SCU	None
RT Structure Set Information Storage	1.2.840.10008.5.1.4.1.1.481.3	Implicit VR Little Endian	1.2.840.10008.1.2	SCU	None
RT Plan Information Storage	1.2.840.10008.5.1.4.1.1.481.5	Implicit VR Little Endian	1.2.840.10008.1.2	SCU	None
NM Genie Private Data	1.2.840.113619.4.27	Implicit VR Little Endian	1.2.840.10008.1.2	SCU	None
PET Advance Private Data	1.2.840.113619.4.30	Implicit VR Little Endian	1.2.840.10008.1.2	SCU	None
GE Private 3D Model Object	1.2.840.113619.4.26	Implicit VR Little Endian	1.2.840.10008.1.2	SCU	None
GE Private DICOM RT Plan	1.2.840.113619.4.5.249	Implicit VR Little Endian	1.2.840.10008.1.2	SCU	None
GE Private DICOM Saturn TDS	1.2.840.113619.4.5.253	Implicit VR Little Endian	1.2.840.10008.1.2	SCU	None

**2.3.1.1.5.3.1 SOP Specific DICOM Conformance Statement for Image Storage SOP Classes**

Following are the status codes that are more specifically processed when receiving messages from a **Storage SCP** equipment:

<b>Service Status</b>	<b>Status Codes</b>	<b>Further Meaning</b>	<b>Application Behavior When receiving Status Codes</b>	<b>Related Fields Processed if received</b>
Refused	A7xx	Out of resources	Association is closed with Remote AE.  Appropriate message is displayed to the user.	(0000,0902)
	0122	SOP Class not Supported	General Warning message is logged.  Association is not closed with Remote AE.  Appropriate message is displayed to the user.	(0000,0902)
Error	Cxxx	Cannot Understand	General Warning message is logged.  Association is not closed with Remote AE.  Error message is displayed to the user.	(0000,0901) (0000,0902)
	A9xx	Data Set does not match SOP Class	General Warning message is logged.  Association is not closed with Remote AE.  Error message is displayed to the user.	(0000,0901) (0000,0902)
Warning	B000	Coercion of Data Elements	General Warning message is logged.  Association is not closed.	(0000,0901) (0000,0902)
	B007	Data Set does not match SOP Class	General Warning message is logged.  Association is not closed.	(0000,0901) (0000,0902)
	B006	Elements Discarded	General Warning message is logged.  Association is not closed.	(0000,0901) (0000,0902)
Success	0000			None

Each C-STORE operation supports an “Association Timer”. This timer starts when the association request is sent and stops when the association is established. Default time-out is 60 seconds.

Each C-STORE operation supports an “Operation Inactivity Timer”. This timer starts when a C-STORE request is emitted and is reset each time a C-STORE response has been received, or when subsequent C-STORE are received. Default time-out is 180 seconds.

Each C-STORE operation supports an “Session Timer”. This timer starts when the association is established and stops when the association is ended. Default time-out is 3600 seconds.

If any of the three timers mentioned above expires, the connection is aborted and the operation is considered failed.

#### 2.3.1.1.6 Real-World Activity: Manual Query/Retrieve

##### 2.3.1.1.6.1 Associated Real-World Activity

The operator queries a Remote database by clicking on the icon representing the DICOM Remote AE. A new BROWSER (known as the REMOTE BROWSER) appears on the screen(s) upon successful query.

Then, the operator can select one or several Patient Folders/Studies/Series/Images and can either drag on drop the selection on the icon representing the Advantage Workstation 4.0 or click on the “Pull” icon to retrieve the selection on the Advantage Workstation 4.0 database.

- These operation will cause:
- the DICOM SERVER AE to initiate a DICOM association.
- the DICOM SERVER AE to emit a C-FIND request to get a list of patients regarding the criteria listed below, then to get the selected studies, series or images.
- the DICOM SERVER AE to emit a CMOVE request to specify a selected list of Patient Folders/Studies/Series/Images to be sent by the Remote Host to the Advantage Workstation 4.0.

**Note:** An option available on the Advantage Workstation 4.0 known as the “REMOTE VIEWER” allows to view images stored remotely. The same operations are performed than in the previous step except that, images are not declared physically in the Advantage Workstation 4.0 database but stored temporarily.

**Note:** The SCU will cancel the C-FIND by issuing a C-FIND-CANCEL request after the reception of a certain number of studies. This number is configurable and set by default to 500.

**Note:** The SCU can also be configured to abort the association when receiving the maximum number of studies instead of issuing the C-FIND-CANCEL. This can be used for systems, which cannot support the C-FIND-CANCEL.

##### 2.3.1.1.6.2 Association Initiation Policy

The DICOM SERVER AE initiates a new association for querying Patient Folders (or Studies/Series/Images) on a remote DICOM AE. This association corresponds to one Real World Activity:

- Manual Query/Retrieve

**Note:** The length to End field (0000, 0001) is sent in this implementation.

**2.3.1.1.6.3 Proposed Presentation Context Table**

<b>Presentation Context Table - Proposed</b>					
<b>Abstract Syntax</b>		<b>Transfer Syntax</b>		<b>Role</b>	<b>Extended Negotiation</b>
<b>Name</b>	<b>UID</b>	<b>Name List</b>	<b>UID List</b>		
Patient Root Query/Retrieve Information Model - MOVE	1.2.840.10008.5.1.4.1.2.1.2	Implicit VR Little Endian	1.2.840.10008.1.2	SCU	None
Study Root Query/Retrieve Information Model - FIND	1.2.840.10008.5.1.4.1.2.2.1	Implicit VR Little Endian	1.2.840.10008.1.2	SCU	None
Study Root Query/Retrieve Information Model - MOVE	1.2.840.10008.5.1.4.1.2.2.2	Implicit VR Little Endian	1.2.840.10008.1.2	SCU	None

**2.3.1.1.6.3.1 SOP Specific DICOM Conformance Statement for the Model, Study Root Query/Retrieve Information Model -FIND SOP Class**

Following are the status codes that are more specifically processed when receiving messages from a Query SCP equipment:

Service Status	Status Codes	Further Meaning	Application Behavior When receiving Status Codes	Related Fields Processed if received
Refused	A700	Out of resources	Association is closed. Appropriate message is displayed to the user.	(0000,0902)
	0122	SOP Class not Supported	Association is closed. Appropriate message is displayed to the user.	(0000,0902)
Failed	A900	Identifier does not match SOP Class	Association is closed. Error message is displayed to the user.	(0000,0901) (0000,0902)
	Cxxx	Unable to process	Association is closed. Error message is displayed to the user.	(0000,0901) (0000,0902)
Cancel	FE00	Matching terminated due to cancel	Association is closed. Error message is displayed to the user.	None
Success	0000	Matching is complete - No final identifier is supplied		None
Pending	FF00	Matches are continuing - Current Match is supplied and any Optional Keys were supported in the same manner as Required Keys.		Identifier
	FF01	Matches are continuing - Warning that one or more Optional Keys were not supported for existence and/or matching for this Identifier		Identifier

The C-FIND SCU will only perform hierarchical query (No extended negotiation supported)

Each C-FIND SCU supports an “Association Timer”, “Operation Timer”, “Session Timer”. These timers are defaulted to 60, 90, 3600 seconds.

The DICOM SERVER AE will parse each matching CFIND-RSP reply and will abort the association if an entry does not contain a valid dataset.

**2.3.1.1.6.3.2 SOP Specific DICOM Conformance Statement for the Patient Root Query/Retrieve Information Model - MOVE , Study Root Query/Retrieve Information Model - MOVE SOP Classes**

Each CMOVE operation supports an “Association Establishment Timer”. This timer starts when the association request is sent and stops when the association is established. This timer is set to 60 seconds by default.

Following are the status codes that are more specifically processed when receiving messages from a **Retrieve** SCP equipment:

<b>Service Status</b>	<b>Status Codes</b>	<b>Further Meaning</b>	<b>Application Behavior When receiving Status Codes</b>	<b>Related Fields Processed if received</b>
Refused	A701	Out of resources - Unable to calculate number of matches	The association is aborted. Error message is returned to the user.	(0000,0902)
	A702	Out of resources - Unable to perform sub-operations	The association is aborted. Error message is returned to the user.	(0000,1021) (0000,1022) (0000,1023)
	A801	Move Destination Unknown	The association is aborted. Error message is returned to the user.	(0000,0902)
	0122	SOP Class not Supported	The association is aborted. Error message is returned to the user.	(0000,0902)
Failed	A900	Identifier does not match SOP Class	The association is aborted. Error message is returned to the user.	(0000,0901) (0000,0902)
	Cxxx	Unable to process	The association is aborted. Error message is returned to the user.	(0000,0901) (0000,0902)
Cancel	FE00	Sub-operations terminated due to a Cancel indication	The association is aborted. Error message is returned to the user.	(0000,1020) (0000,1021) (0000,1022) (0000,1023)
Warning	B000	Sub-operations Complete - One or more Failures.	The association is not aborted. No error message is returned to the user.	(0000,1021) (0000,1022) (0000,1023)
Success	0000	Sub-operations Complete - No Failure.		(0000,1021) (0000,1022) (0000,1023)
Pending	FF00	Sub-operations are continuing -		(0000,1020) (0000,1021) (0000,1022) (0000,1023)

Each CMOVE SCU supports an “Association Timer”, “Operation Timer”, “Session Timer”. These timers are defaulted to 60, 300, 3600 seconds.

**2.3.1.1.7 Real-World Activity “Image Installation”**

The DICOM SERVER AE accepts an association when it receives a valid association request from a DICOM Storage SCU.

**2.3.1.1.7.1 Associated Real -World Activity**

The DICOM SERVER AE waits for any association. No operator action is required to receive an image.

**2.3.1.1.7.2 Association Acceptance Policy**

When the DICOM SERVER AE accepts an association, it will receive any images transmitted on that association and store the supported SOP Classes on disk. Any Remote DICOM AE can send images to the DICOM SERVER AE.

**2.3.1.1.7.3 Accepted Presentation Context Table**

<b>Presentation Context Table - Accepted</b>					
<b>Abstract Syntax</b>		<b>Transfer Syntax</b>		<b>Role</b>	<b>Extended Negotiation</b>
<b>Name</b>	<b>UID</b>	<b>Name List</b>	<b>UID List</b>		
Computed Radiography Image Storage	1.2.840.10008.5.1.4.1.1.1	Implicit VR Little Endian	1.2.840.10008.1.2	SCP	None
CT Image Storage	1.2.840.10008.5.1.4.1.1.2	Implicit VR Little Endian	1.2.840.10008.1.2	SCP	None
MR Image Storage	1.2.840.10008.5.1.4.1.1.4	Implicit VR Little Endian	1.2.840.10008.1.2	SCP	None
Secondary Capture Image Storage	1.2.840.10008.5.1.4.1.1.7	Implicit VR Little Endian	1.2.840.10008.1.2	SCP	None
Standalone Overlay Storage	1.2.840.10008.5.1.4.1.1.8	Implicit VR Little Endian	1.2.840.10008.1.2	SCP	None
X-Ray Angiographic Image Storage	1.2.840.10008.5.1.4.1.1.12.1	Implicit VR Little Endian	1.2.840.10008.1.2	SCP	None
X-Ray Radiofluoroscopic Image Storage	1.2.840.10008.5.1.4.1.1.12.2	Implicit VR Little Endian	1.2.840.10008.1.2	SCP	None
RT Image Information Storage	1.2.840.10008.5.1.4.1.1.481.1	Implicit VR Little Endian	1.2.840.10008.1.2	SCP	None
RT Structure Set Information Storage	1.2.840.10008.5.1.4.1.1.481.3	Implicit VR Little Endian	1.2.840.10008.1.2	SCP	None
RT Plan Information Storage	1.2.840.10008.5.1.4.1.1.481.5	Implicit VR Little Endian	1.2.840.10008.1.2	SCP	None
GE Private 3D Model Object	1.2.840.113619.4.26	Implicit VR Little Endian	1.2.840.10008.1.2	SCP	None
GE Private DICOM RT Plan	1.2.840.113619.4.5.249	Implicit VR Little Endian	1.2.840.10008.1.2	SCP	None
GE Private DICOM STDS	1.2.840.113619.4.5.253	Implicit VR Little Endian	1.2.840.10008.1.2	SCP	None
Verification SOP Class	1.2.840.10008.1.1	Implicit VR Little Endian	1.2.840.10008.1.2	SCP	None



**2.3.1.1.7.3.1 SOP Specific DICOM Conformance Statement for all Storage SOP Classes**

Following are the status codes the Application may send back to the SCU Equipment after performing the requested Storage:

Service Status	Status Codes	Further Meaning	Status Code sending explanation	Related Fields sent back to the SCU
Refused	A7xx	Out of resources	indicates that there was not enough space or some other internal resource (such as memory) to store the image. The user should attempt recovery by removing some images from the Advantage Workstation 4.0.	(0000,0902)
Error	0110	Processing Failure	indicates that an internal system call has failed while processing the image.	(0000,0902)
Success	0000			None

Each GSTORE SCP supports an “Association Timer”, “Operation Timer”, “Session Timer”. These timers are defaulted to 60, 180, 3600 seconds.

The DICOM Server AE conforms to the SOP’s of the Storage Service Class at Level 2 (Full) as described in Section B4.1 of PS 3.4 of the DICOM Standard Document.

**Image Reception phase:**

- If the DICOM Server AE fails to parse the received image, the error 110 (Processing Failure) is returned to the C-STORE SCU.
- If the DICOM Server AE fails to install the received image into the local database, the error A700 (Out of Resources) is returned to the C-STORE SCU.

When a C-STORE operation is returned Successful to the C-STORE SCU, the image has been written to the disk and declared into the local database. The image will then be accessed in the same manner as any other image by the applications on the Advantage Workstation 4.0.

When a C-STORE operation is returned Error to the C-STORE SCU, the image will be removed and a message will appear in the browser message log informing the user of a failure. A physical disk area may be specified by a GE field engineer to keep the image files not installed.

**Image Declaration phase:**

The overlay planes (group 6000 and 6002) elements (6000, 3000) and (6002, 3000) encoded into header are burnt into the pixel data at declaration time. Stand Alone Overlays images are transformed in DICOM Secondary Capture at declaration time.

**Note:** To be displayed in the Viewer an image containing overlay planes must fulfill the following conditions:

- Overlay planes are encoded in groups 6000 and 6002 and not embedded in image pixel data.

- Overlay planes must have the same size as the image.

**Note :** Images that have the fields Patient's Name (0010,0010) and Patient ID (0010,0020) empty are accepted into the local database.

**Note :** The rescale slope (0028,1053) is ignored. The system defaults this value to 1.

**Note :** If the pixel size is available measurement algorithm uses:

- either because defined in the image header
  - (0008,2111) for combined images
  - (0018,1164) or (0028,0030) if the first one is undefined, for CR images
  - (0018,1164) for Senovision, DX and MG images
  - (0028,0030) for other images
  - (no header field is used for XA and RF images)
- either because the end user has calibrated the image, measurements shall be indicated in millimeters for distance or square millimeters for areas. Otherwise, they shall be indicated in pixels or square pixels .

**Note :** All the images will be installed with the same elements in which it was received except Window Center (0028, 1050), Window Width (0028, 1051).

**Note :** Standalone Overlay Storage SOP Class instances will be formatted into Secondary Capture SOP Class instances when installed on the Advantage Workstation 4.0.

**Note :** All kind of color images are stored by the Advantage Workstation 4.0, but only secondary captures which have a photometric interpretation (0028,0004) equal to "MONOCHROME 1", "MONOCHROME 2" or "RGB" with planar configuration (0028,0006) equal to 0 (color by pixel) are displayable.

**Note :** Modality LUT will be ignored by the Advantage Workstation 4.0.

**Note :** Images with non square pixels are not handled correctly by the Advantage Workstation 4.0.

**Note :** No optional data elements (Type 3) or filled data elements (Type 2) are required to be declared on the Advantage Workstation 4.0.

#### **2.3.1.1.7.4 Presentation Context Acceptance Criterion**

Only known SOP Classes are accepted.

#### **2.3.1.1.7.5 Transfer Syntax Selection Policies**

The default transfer syntax for SOP Classes is always chosen (Implicit VR Little Endian: 1.2.840.10008.1.2).

### **2.4 COMMUNICATION PROFILES**

#### **2.4.1 Supported Communication Stacks (PS 3.8, PS 3.9)**

DICOM Upper Layer (PS 3.8) is supported using TCP/IP.

#### **2.4.2 OSI Stack**

OSI stack not supported

#### **2.4.3 TCP/IP Stack**

The TCP/IP stack is inherited from a UNIX Operating System.

##### **2.4.3.1 API**

Not applicable to this product.

##### **2.4.3.2 Physical Media Support**

DICOM is indifferent to the Physical medium over which TCP/IP executes (e.g. Ethernet V2.0, IEEE 802.3, ATM, FDDI, Ethernet 100Mb)

**Note:** For more information about the Physical Media available for Advantage Workstation 4.0, please refer to the Product Data Sheet.

#### **2.4.4 Point-to-Point Stack**

A 50-pin ACR-NEMA connection is not applicable to this product.

### **2.5 EXTENSIONS / SPECIALIZATIONS / PRIVATIZATIONS**

#### **2.5.1 Standard Extended /Specialized/Private SOPs**

Some Private SOP Classes are used by this product but are not exported outside of the station and so are not described below.

##### **2.5.1.1 Private SOP Class GE DICOM Private 3D object**

This SOP Class is described in document with Direction Number: 2198583-100

##### **2.5.1.2 Private SOP Class GE DICOM RT Plan**

- This SOP Class is described, in document with Direction Number 2180316-100.

##### **2.5.1.3 Private SOP Class GE DICOM STDS**

This SOP Class is not described.

### 2.5.2 Private Transfer Syntaxes

No private Transfer Syntax are negotiated.

## 2.6 CONFIGURATION

### 2.6.1 AE Title/Presentation Address Mapping

The Local AE Title is configurable. This must be configured by a GE Field Engineer during installation.

### 2.6.2 Configurable Parameters

The following fields are configurable for this AE (local):

- Local AE Title
- Local IP Address
- Local IP Netmask

The Local Listening Port Number is not configurable and set to **4006**.

The following fields are configurable for every remote DICOM AE:

- Remote AE Title
- Remote IP Address
- Listening TCP/IP Port Number

A **default router** IP Address for **all remote nodes** can be configured.

The following fields are configurable:

- Association Establishment Timer
- Store, Find, Move, Timers
- Inactivity Timers
- Maximum Length PDU

**Note :** All configurations must be performed by a GE Field Engineer.

## 2.7 SUPPORT OF EXTENDED CHARACTER SETS

The Advantage Workstation 4.0 will support only the ISO\_IR 100 (ISO 8859-1:1987 Latin alphabet N 1. supplementary set) as extended character sets.

## 3. MEDIA STORAGE CONFORMANCE STATEMENT

### 3.1 INTRODUCTION

This section of the conformance statement (CS) specifies the Advantage Workstation 4.0 compliance to DICOM Media Interchange. It details the DICOM Media Storage Application Profiles and roles which are supported by this product.

This station provides capabilities to DICOM interchange on CD-Rs (Compact Disc Recordable), on CDROMs (Compact Disc Read Only Memory) and on MODs (Magneto Optical Disc) with different application profiles supported for each media. Basically, the AW4.0 station works with Computed Tomography (CT), Magnetic Resonance (MR), Computed Radiography (CR), XRay Angiographic (XA), XRay Fluoroscopic (RF) images and Secondary Captures (SC). Other applications may be used on the AW4.0 basis and may use or create other types of objects. Please, refer to the DICOM conformance statement of each added applications for a complete description of their compliance to DICOM media interchange.

Note that the format of this section strictly follows the format defined in DICOM Standard PS 3.2 (Conformance). Please refer to that part of the standard while reading this section.

### 3.2 IMPLEMENTATION MODEL

#### 3.2.1 Application Data Flow Diagram

The Basic and Specific Application models for the CDR device, the CDROM device and the MOD device are shown in the following Illustrations:

##### SPECIFIC AE APPLICATION MODEL FOR THE CDR DEVICE

- Description of the data Flow Diagram for the CD-R device.

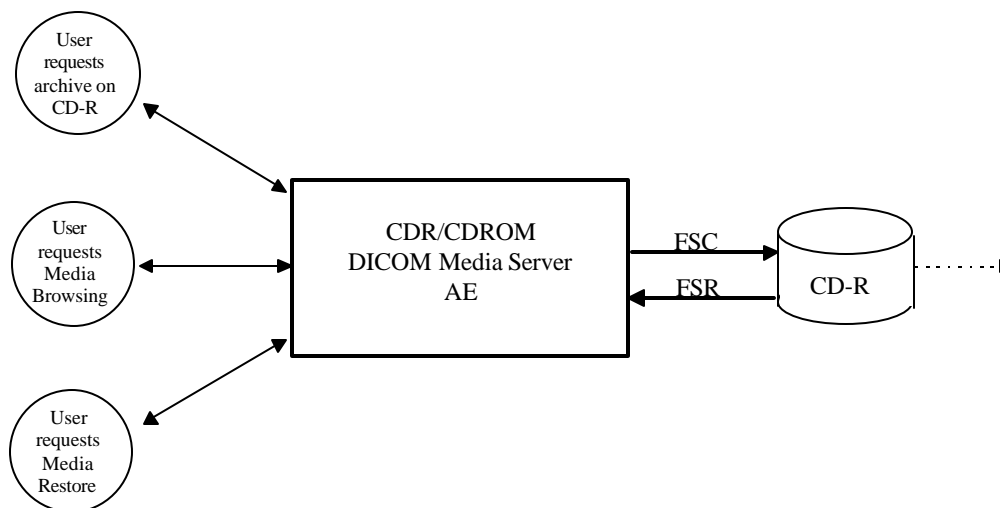
The DICOM ARCHIVE/RESTORE functionality for the CD-R device is handled by the CD-R/CDROM DICOM Media Server Application Entity (AE). The CD-R/CDROM DICOM Media Server Application Entity (AE) is commanded by the user to perform DICOM services operating on the DICOM media through the use of buttons and menu selections on the graphical user interface of the station.

The user requests the creation of a DICOM file set and the writing of this DICOM File Set on a blank CD-R by selecting images in the local Browser, selecting the CD-R as being the archive device (if this application is available on the system). Images are saved on a mono-session disk in a one shot operation.

The user can request the reading of a DICOM file set written on a CDROM by selecting the CD-R drive as the active archive device, and browsing the archive using the "Query" Item of the Archive drop down menu, and then restore the selected items by a drag and drop on the local browser icon or by clicking on the suitable restore buttons.

The Application models for the CDR device are shown in Illustration 3-1.

ILLUSTRATION 3-1



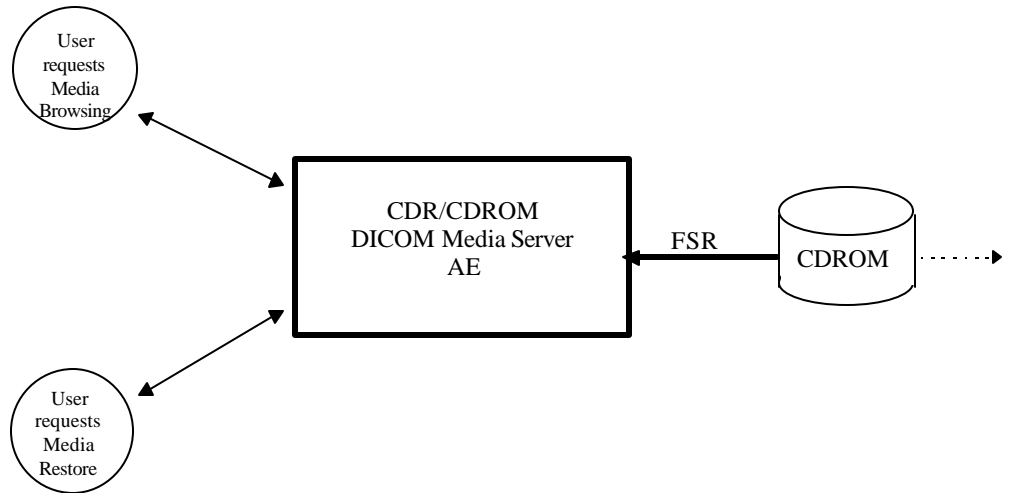
- Description of the data Flow Diagram for the CDROM device.

The DICOM ARCHIVE/RESTORE functionality for the CDROM device is handled by the CD-R/CDROM DICOM Media Server Application Entity (AE). The CD-R/CDROM DICOM Media Server Application Entity (AE) is commanded by the user to perform DICOM services operating on the DICOM media through the use of buttons and menu selections on the graphical user interface of the station.

The user can request the reading of a DICOM file set written on a CDROM by selecting the CD-R drive as the active archive device, and browsing the archive using the “Query” Item of the Archive drop down menu, and then restore the selected items by a drag and drop on the local browser icon or by clicking on the suitable restore buttons.

The Application model for the CDROM device are shown in Illustration 3-2

ILLUSTRATION 3-2



- Description of the data Flow Diagram for the MOD device.

The DICOM ARCHIVE/RESTORE functionality is handled by the MOD DICOM Media Server Application Entity (AE). The MOD DICOM Media Server Application Entity (AE) is commanded by the user to perform DICOM services operating on the DICOM media through the use of buttons and menu selections on the graphical user interface of the station.

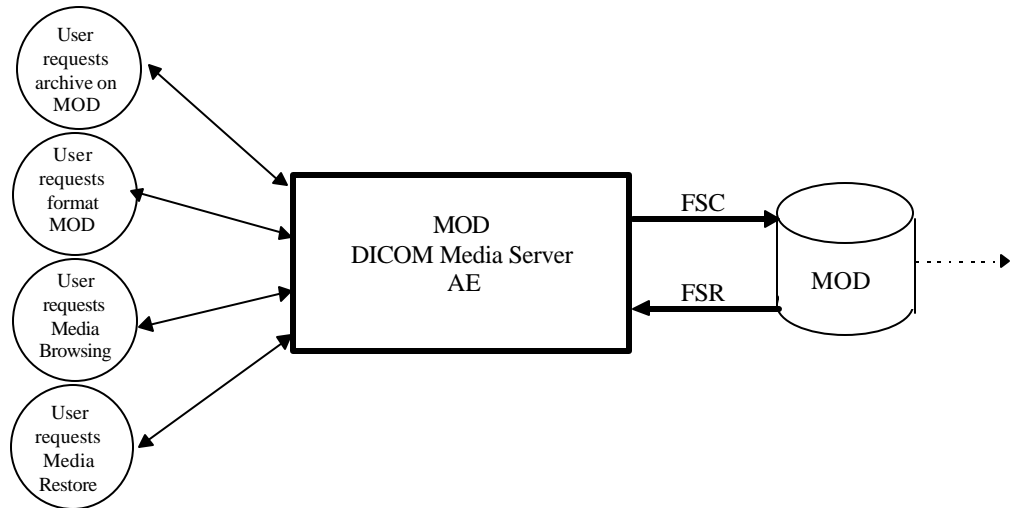
The user can request the label of a MOD to create an empty DICOM File Set on the MOD. This operation enables the user to format a brand new MOD or to erase information previously stored.

The user can archive the selected items in the local database by a drag and drop on the MOD icon or by clicking on the suitable archive buttons. Images belonging to the selected items are saved one by one on the MOD.

The user can request the reading of a DICOM file set written on a MOD by selecting the MOD drive and browsing the archive using the “Query” Item of the Archive drop down menu, and then restore the selected items by a drag and drop on the local browser icon or by clicking on the suitable restore buttons

The Application models for the MOD device are shown in Illustration 3-3.

**ILLUSTRATION 3-3**  
SPECIFIC AE APPLICATION MODEL FOR MOD ARCHIVE



### 3.2.2 Functional Definition of AE's

### 3.2.3 Functional Definition of the DICOM Media Server AE

#### 3.2.3.1 Functional definition of the CDR/CDROM DICOM Media Server AE

The CDR/CDROM DICOM Media Server Application Entity supports the following functions:

- Has access to patient demographics and pixel data in the local database.
- Can generate a DICOM File Set (FSC) for Computed Radiography (CR), Computed Tomography (CT), Magnetic Resonance (MR), X-ray Angiographic (XA), X-ray Radiofluoroscopic (RF) data types and secondary Capture in a one shot activity.
- Can write a DICOM File Set (FSC) on a CD-R in mono-session.
- Can read a DICOM File Set (FSR) on a CDROM.

#### 3.2.3.2 Functional definition of the MOD DICOM Media Server AE

The MOD DICOM Media Server Application Entity supports the following functions:

- Has access to patient demographics and pixel data in the local database.
- Can generate a DICOM File Set (FSC) for CT, MR and secondary Capture that has the CT or MR modality.
- Can write a DICOM File Set (FSC) on a MOD. The write can empty the DICOM File Set which corresponds to a format of the MOD media or can add new Patient Folders/Studies/Series/Images.
- Can read a DICOM File Set (FSR) on a MOD.



**3.2.4 Sequencing Requirements**

For writing on new MODs, it is necessary to format the MOD before the user can request for an archive.

**3.2.5 File Meta Information Options (See PS3.10)**

The File Meta-Information for this implementation is:

<b>File Meta-Information Version</b>	<b>1</b>
<b>Implementation Class UID</b>	<b>1.2.840.113619.6.79</b>
<b>Implementation Version Name</b>	<b>The Implementation Version Name is set dynamically through an environment variable</b>

**3.3 AE SPECIFICATIONS**

**3.3.1 DICOM CDR/CDROM SERVER AE Specification**

The DICOM CDR/CDROM SERVER Application Entity provides standard conformance to DICOM Interchange Option of the Media Storage Service Class. The application Profiles and roles are listed below.

<b>Supported Application Profile</b>	<b>Real World Activity</b>	<b>Role</b>	<b>Description</b>
STD-GEN-CD AUG-XABC-CD, STD-XABC-CD	Browse CD	FSR	Interchange
STD-GEN-CD AUG-XABC-CD, STD-XABC-CD	Restore CD	FSR	Interchange
STD-GEN-CD AUG-XABC-CD	Archive CD	FSC See Note	Interchange

**Note:** Archive is available only on blank CD-Rs.

**3.3.1.1 File Meta Information for the DICOM CDR/CDROM Application Entity**

Following are the values set in the File Meta Information for this AE Title:

<b>Source Application Entity Title</b>	<b>DICOMCDR</b>
----------------------------------------	-----------------

**3.3.1.2 Real-World Activities for the DICOM CDR/CDROM Application Entity**

**3.3.1.2.1 Real-World Activity (RWA) "Browse CD"**

The CD-R/CDROM DICOM Media Server AE acts as an FSR using the interchange option when requested to browse the CD.

When the CD-R/CDROM DICOM Media Server AE is requested to provide a directory listing, it reads the File-set and displays the DICOMDIR directory entries, according to the PATIENT, STUDY, SERIES, IMAGE paradigm.

If the DICOMDIR file is not found in the File-set, the CD is ejected of the drive.

**3.3.1.2.1.1 Media Storage Application Profile for the RWA “Browse CD”:**

For the list of Application Profiles that invoke this AE for the Browse CD RWA, see the Table in Section 3.3.1

**3.3.1.2.1.1.1 Options:**

Following are the SOP Classes supported by the RWA “Browse CD”:

Information Object Definition	SOP Class UID	Transfer Syntax	Transfer Syntax UID
Media Storage Directory Storage	1.2.840.10008.1.3.10	Explicit VR Little Endian	1.2.840.10008.1.2.1

**3.3.1.2.2 Real-World Activity (RWA) ”Restore CD”**

The CD-R/CDROM DICOM Media Server AE acts as an FSR using the interchange option when requested to copy SOP instances from the CD to the local database.

The user selects the SOP instances that he wants the DICOM Media Server AE to copy on the local data base by a drag and drop on the local browser icon or or by clicking on the suitable restore buttons. Once selected, the SOP instances are copied from the media to the local database.

Only, the SOP classes supported by the station are declared to the database in a transfer syntax supported by the station.

**3.3.1.2.2.1 Media Storage Application Profile for the RWA “Restore CD”:**

For the list of Application Profiles that invoke this AE for the Restore CD RWA, see the Table in Section 3.3.1.

**3.3.1.2.2.1.1 Options:**

Following are the SOP Classes supported by the RWA “Restore CD”:

Information Object Definition	SOP Class UID	Transfer Syntax	Transfer Syntax UID
Media Storage Directory Storage	1.2.840.10008.1.3.10	Explicit VR Little Endian	1.2.840.10008.1.2.1
Computed Radiographic Image Storage	1.2.840.10008.5.1.4.1.1.1	Explicit VR Little Endian	1.2.840.10008.1.2.1
CT Image Storage	1.2.840.10008.5.1.4.1.1.2	Explicit VR Little Endian	1.2.840.10008.1.2.1
MR Image Storage	1.2.840.10008.5.1.4.1.1.4	Explicit VR Little Endian	1.2.840.10008.1.2.1
Xray Angiographic Image Storage	1.2.840.10008.5.1.4.1.1.12.1	Explicit VR Little Endian  JPEG lossless Process 14 (selection value 1) for images 512x512 (8bits).	1.2.840.10008.1.2.1  1.2.840.10008.1.2.4.70 for images 512x512 (8bits).

Xray Radiofluoroscopic Image Storage	1.2.840.10008.5.1.4.1.1.12.2	Explicit VR Little Endian	1.2.840.10008.1.2.1
Secondary Capture Image Storage	1.2.840.10008.5.1.4.1.1.7	Explicit VR Little Endian	1.2.840.10008.1.2.1
Digital X-Ray Image Storage - For Presentation	1.2.840.10008.5.1.4.1.1.1.1	Explicit VR Little Endian	1.2.840.10008.1.2.1
Digital X-Ray Image Storage - For Processing	1.2.840.10008.5.1.4.1.1.1.1.1	Explicit VR Little Endian	1.2.840.10008.1.2.1
Digital Mammography X-Ray Image Storage - For Presentation	1.2.840.10008.5.1.4.1.1.1.2	Explicit VR Little Endian	1.2.840.10008.1.2.1
Digital Mammography X-Ray Image Storage - For Processing	1.2.840.10008.5.1.4.1.1.1.2.1	Explicit VR Little Endian	1.2.840.10008.1.2.1
Nuclear Medicine Image Storage	1.2.840.10008.5.1.4.1.1.20	Explicit VR Little Endian	1.2.840.10008.1.2.1
Standalone Curve Storage	1.2.840.10008.5.1.4.1.1.9	Explicit VR Little Endian	1.2.840.10008.1.2.1
Positron Emission Tomography Image Storage	1.2.840.10008.5.1.4.1.1.128	Explicit VR Little Endian	1.2.840.10008.1.2.1
Standalone PET Curve Storage	1.2.840.10008.5.1.4.1.1.129	Explicit VR Little Endian	1.2.840.10008.1.2.1
RT Image Storage	1.2.840.10008.5.1.4.1.1.481.1	Explicit VR Little Endian	1.2.840.10008.1.2.1
RT Structure Set Storage	1.2.840.10008.5.1.4.1.1.481.3	Explicit VR Little Endian	1.2.840.10008.1.2.1
RT Plan Storage	1.2.840.10008.5.1.4.1.1.481.5	Explicit VR Little Endian	1.2.840.10008.1.2.1
GE Private DICOM RT Plan	1.2.840.113619.4.5.249	Explicit VR Little Endian	1.2.840.10008.1.2.1
NM Genie Private Data	1.2.840.113619.4.27	Explicit VR Little Endian	1.2.840.10008.1.2.1
PET Advance Private Data	1.2.840.113619.4.30	Explicit VR Little Endian	1.2.840.10008.1.2.1
GE Private DICOM 3D object	1.2.840.113619.4.26	Explicit VR Little Endian	1.2.840.10008.1.2.1

**3.3.1.2.3 Real-World Activity (RWA) "Archive CD"**

The CD-R/CDROM DICOM Media Server acts as an FSC using the interchange option when requested to copy SOP Instances from the local data base to the CD-R.

The user has to insert a blank CD into the CD-R drive. Then, the user selects the entries in the local database that he wants the CD-R/CDROM DICOM Media Server to copy onto the CD.

The user has the opportunity to choose some options before archiving items:

- Display of a confirmation pop-up that indicates what can be archived on the CD-R.
- Read after write mode to check the binary integrity of what is written on the CD-R.
- the DICOM profile used for writing the CD-R. The user has the opportunity to choose:
  - the "General Purpose Profile" (STD-GEN-CD): All the selected items will be archived using the STD-GEN-CD profile.

- the “XA Augmented Cardiac Profile” (AUG-XABC-CD): The selected XA 512x512 (8 bits) images will be archived using the STD-XABC-CD and all the other items will be archived using the STD-GEN-CD profile.

Before writing the CD, the DICOM Media Server checks for the following conditions:

- The inserted media is blank and writable. If the condition is not met, an error is displayed and the CD is ejected.
- The corresponding SOP instances have been encoded with the ISO\_IR 100 Specific Character Set or DICOM Default Character Set.

The corresponding SOP instances are set to the transfer syntax defined by the application and copied to the CD. Unknown Private Data Elements are removed from the dataset associated to the SOP Instance to be copied.

**3.3.1.2.3.1 Media Storage Application Profile for the RWA “Archive CD”:**

This AE can use the STD-GEN-CD or the AUG-XABC-CD profiles for the Archive CD RWA.

Please refer to the Table in Section 3.3.1.

**3.3.1.2.3.1.1 Options:**

Following are the SOP Classes supported by the RWA “Archive CD”:

Information Object Definition	SOP Class UID	Transfer Syntax	Transfer Syntax UID
Media Storage Directory Storage	1.2.840.10008.1.3.10	Explicit VR Little Endian	1.2.840.10008.1.2.1
Computed Radiographic Image Storage	1.2.840.10008.5.1.4.1.1.1	Explicit VR Little Endian	1.2.840.10008.1.2.1
CT Image Storage	1.2.840.10008.5.1.4.1.1.2	Explicit VR Little Endian	1.2.840.10008.1.2.1
MR Image Storage	1.2.840.10008.5.1.4.1.1.4	Explicit VR Little Endian	1.2.840.10008.1.2.1
Xray Angiographic Image Storage	1.2.840.10008.5.1.4.1.1.12.1	Explicit VR Little Endian  JPEG lossless Process 14 (selection value 1) for images 512x512 (8bits).	1.2.840.10008.1.2.1  1.2.840.10008.1.2.4.70 for images 512x512 (8bits).
Xray Radiofluoroscopic Image Storage	1.2.840.10008.5.1.4.1.1.12.2	Explicit VR Little Endian	1.2.840.10008.1.2.1
Secondary Capture Image Storage	1.2.840.10008.5.1.4.1.1.7	Explicit VR Little Endian	1.2.840.10008.1.2.1
Digital X-Ray Image Storage - For Presentation	1.2.840.10008.5.1.4.1.1.1.1	Explicit VR Little Endian	1.2.840.10008.1.2.1
Digital X-Ray Image Storage - For Processing	1.2.840.10008.5.1.4.1.1.1.1.1	Explicit VR Little Endian	1.2.840.10008.1.2.1
Digital Mammography X-Ray Image Storage - For Presentation	1.2.840.10008.5.1.4.1.1.1.2	Explicit VR Little Endian	1.2.840.10008.1.2.1
Digital Mammography X-Ray Image Storage - For Processing	1.2.840.10008.5.1.4.1.1.1.2.1	Explicit VR Little Endian	1.2.840.10008.1.2.1

Nuclear Medicine Image Storage	1.2.840.10008.5.1.4.1.1.20	Explicit VR Little Endian	1.2.840.10008.1.2.1
Standalone Curve Storage	1.2.840.10008.5.1.4.1.1.9	Explicit VR Little Endian	1.2.840.10008.1.2.1
Positron Emission Tomography Image Storage	1.2.840.10008.5.1.4.1.1.128	Explicit VR Little Endian	1.2.840.10008.1.2.1
Standalone PET Curve Storage	1.2.840.10008.5.1.4.1.1.129	Explicit VR Little Endian	1.2.840.10008.1.2.1
RT Image Storage	1.2.840.10008.5.1.4.1.1.481.1	Explicit VR Little Endian	1.2.840.10008.1.2.1
RT Structure Set Storage	1.2.840.10008.5.1.4.1.1.481.3	Explicit VR Little Endian	1.2.840.10008.1.2.1
RT Plan Storage	1.2.840.10008.5.1.4.1.1.481.5	Explicit VR Little Endian	1.2.840.10008.1.2.1
GE Private DICOM RT Plan	1.2.840.113619.4.5.249	Explicit VR Little Endian	1.2.840.10008.1.2.1
NM Genie Private Data	1.2.840.113619.4.27	Explicit VR Little Endian	1.2.840.10008.1.2.1
PET Advance Private Data	1.2.840.113619.4.30	Explicit VR Little Endian	1.2.840.10008.1.2.1
GE Private DICOM 3D object	1.2.840.113619.4.26	Explicit VR Little Endian	1.2.840.10008.1.2.1

**3.3.2 DICOM MOD SERVER AE Specification**

The DICOM MOD SERVER Application Entity provides standard conformance to DICOM Interchange Option of the Media Storage Service Class. The application Profiles and roles are listed below.

<b>Supported Application Profile</b>	<b>Real World Activity</b>	<b>Role</b>	<b>Description</b>
STD-CTMR-MOD12 STD-CTMR-MOD23 PRI-CTMR-MOD12	Browse MOD	FSR	Interchange
STD-CTMR-MOD12 STD-CTMR-MOD23 PRI-CTMR-MOD12	Restore MOD	FSR	Interchange
STD-CTMR-MOD12 STD-CTMR-MOD23	Archive MOD	FSC	Interchange
STD-CTMR-MOD12 STD-CTMR-MOD23	Format	FSC	Interchange

**3.3.2.1 File Meta Information for the DICOM MOD Application Entity**

Following are the values set in the File Meta Information for this AE Title:

<b>Source Application Entity Title</b>	<b>DICOMMOD</b>
----------------------------------------	-----------------

**3.3.2.2 Real-World Activities for the DICOM MOD Application Entity**

**3.3.2.2.1 Real-World Activity (RWA) "Browse MOD"**

The MOD DICOM Media Server AE acts as an FSR using the interchange option when requested to browse the MOD.

When the MOD DICOM Media Server AE is requested to provide a directory listing, it reads the File-set and displays the DICOMDIR directory entries, according to the PATIENT, STUDY, SERIES, IMAGE paradigm.

If the DICOMDIR file is not found in the File-set, the MOD is considered as not formatted.

Only a DICOMDIR that conforms strictly to the DICOM Standard Supplement 18 or the GE Private Profile (PRI-CTMR-MOD12) will be considered as readable.

**3.3.2.2.1.1 Media Storage Application Profile for the RWA "Browse MOD":**

For the list of Application Profiles that invoke this AE for the Browse MOD RWA, see the Table in Section 3.3.2.

**3.3.2.2.1.1.1 Options:**

Following are the SOP Classes supported by the RWA "Browse MOD":

Information Object Definition	SOP Class UID	Transfer Syntax	Transfer Syntax UID
Media Storage Directory Storage	1.2.840.10008.1.3.10	Explicit VR Little Endian	1.2.840.10008.1.2.1

**3.3.2.2.2 Real-World Activity (RWA) "Restore MOD"**

The MOD DICOM Media Server AE acts as an FSR using the interchange option when requested to copy SOP instances from the MOD to the local database.

The user selects the SOP instances that he wants the DICOM Media Server AE to copy on the local data base by a drag and drop on the local browser icon or or by clicking on the suitable restore buttons. Once selected, the SOP instances are copied from the media to the local database.

Only, the SOP classes supported by the station are declared to the database in a transfer syntax supported by the station.

**3.3.2.2.2.1 Media Storage Application Profile for the RWA "Restore MOD":**

For the list of Application Profiles that invoke this AE for the Restore CD RWA, see the Table in Section 3.3.2.

**3.3.2.2.2.1.1 Options:**

Following are the SOP Classes supported by the RWA “Restore MOD”:

Information Object Definition	SOP Class UID	Transfer Syntax	Transfer Syntax UID
Media Storage Directory Storage	1.2.840.10008.1.3.10	Explicit VR Little Endian	1.2.840.10008.1.2.1
CT Image Storage	1.2.840.10008.5.1.4.1.1.2	Explicit VR Little Endian	1.2.840.10008.1.2.1
CT Image Storage	1.2.840.10008.5.1.4.1.1.2	JPEG Lossless Process 14 (selection value 1)	1.2.840.10008.1.2.4.70
MR Image Storage	1.2.840.10008.5.1.4.1.1.4	Explicit VR Little Endian	1.2.840.10008.1.2.1
MR Image Storage	1.2.840.10008.5.1.4.1.1.4	JPEG Lossless Process 14 (selection value 1)	1.2.840.10008.1.2.4.70
Secondary Capture Image Storage (CT or MR modality)	1.2.840.10008.5.1.4.1.1.7	Explicit VR Little Endian	1.2.840.10008.1.2.1
Secondary Capture Image Storage (CT or MR modality)	1.2.840.10008.5.1.4.1.1.7	JPEG Lossless Process 14 (selection value 1)	1.2.840.10008.1.2.4.70

**3.3.2.2.3 Real-World Activity (RWA) ”Archive MOD”**

The MOD DICOM Media Server acts as an FSC using the interchange option when requested to copy SOP Instances from the local data base to the MOD.

The user has to insert a formatted MOD into the MOD drive. Then, the user selects the entries in the local database that he wants the MOD DICOM Media Server to copy onto the MOD.

Before writing the MOD, the MOD DICOM Media Server checks for the following conditions:

- The selected SOP Classes can be saved on the media. If the condition is not met, an error is displayed.
- The corresponding SOP instances have been encoded with the ISO\_IR 100 Specific Character Set or the DICOM Default Character Set.

The corresponding SOP instances are set to the transfer syntax defined by the application and copied to the MOD. Unknown Private Data Elements are removed from the dataset associated to the SOP Instance to be copied.

**3.3.2.2.3.1 Media Storage Application Profile for the RWA “Archive MOD”:**

This AE will use the STD-CTMR-MOD12 or STD-CTMR-MOD23 profiles for the RWA “Archive MOD”.

The JPEG Lossless Process 14 (selection value 1) is chosen as the Transfer Syntax UID of objects stored on MODs.

Please refer to the Table in Section 3.3.2

**3.3.2.2.3.1.1 Options:**

Following are the SOP Classes supported by the RWA “Archive MOD”:

Information Object Definition	SOP Class UID	Transfer Syntax	Transfer Syntax UID
Media Storage Directory Storage	1.2.840.10008.1.3.10	Explicit VR Little Endian	1.2.840.10008.1.2.1
CT Image Storage	1.2.840.10008.5.1.4.1.1.2	JPEG Lossless Process 14 (selection value 1)	1.2.840.10008.1.2.4.70
MR Image Storage	1.2.840.10008.5.1.4.1.1.4	JPEG Lossless Process 14 (selection value 1)	1.2.840.10008.1.2.4.70
Secondary Capture Image Storage	1.2.840.10008.5.1.4.1.1.7	JPEG Lossless Process 14 (selection value 1)	1.2.840.10008.1.2.4.70

**3.3.2.2.4 Real-World Activity (RWA) ”Format MOD”**

The MOD DICOM Media Server acts as an FSC using the interchange option when requested to format (operation known as LABEL) MOD.

The user has to insert a blank or an already formatted MOD into the MOD drive. Then, the user clicks on the icon representing the MOD drive and selects the “La bel” entry in the drop down menu.

The MOD DICOM Media Server AE then returns the current parameters of the MOD, and the user can confirm the LABEL.

Before erasing the data on the MOD, the MOD DICOM Media Server AE checks for the following conditions:

- The media is not “write protected”.

The Format RWA will format a DOS file system on the MOD and an empty dicomdir.

**3.3.2.2.4.1 Media Storage Application Profile for the RWA “Format MOD”:**

This AE will use the STD-CTMR-MOD12 or STD-CTMR-MOD23 profiles for the RWA “Format MOD”.

Please refer to the Table in Section 3.3.2

**3.3.2.2.4.1.1 Options:**

Following are the SOP Classes supported by the RWA “Format MOD”:

Information Object Definition	SOP Class UID	Transfer Syntax	Transfer Syntax UID
Media Storage Directory Storage	1.2.840.10008.1.3.10	Explicit VR Little Endian	1.2.840.10008.1.2.1

**Note :** After the DOS format of the MOD, an empty DICOMDIR will be written on the MOD.



**3.4 AUGMENTED AND PRIVATE APPLICATION PROFILES**

One augmented profile is defined to archive XA 512x512 (8bits) images along with other SOP Classes. This profile is defined as the AUG-XA-CD Application Profile.

**3.4.1 Augmented Application Profiles**

**3.4.1.1 Augmented Application Profile AUG-XA-CD**

The AE defines the augmented profile AUG-XA-CD derived from the STD-XA-CD profile.

**3.4.1.1.1 SOP Class Augmentations**

<b>Information Object Definition</b>	<b>SOP Class UID</b>	<b>Transfer Syntax</b>	<b>Transfer Syntax UID</b>
Computed Radiographic Image Storage	1.2.840.10008.5.1.4.1.1.1	Explicit VR Little Endian	1.2.840.10008.1.2.1
CT Image Storage	1.2.840.10008.5.1.4.1.1.2	Explicit VR Little Endian	1.2.840.10008.1.2.1
MR Image Storage	1.2.840.10008.5.1.4.1.1.4	Explicit VR Little Endian	1.2.840.10008.1.2.1
XRay Angiographic Image Storage	1.2.840.10008.5.1.4.1.1.12.1	JPEG lossless Process 14 (selection value 1) for images 512x512 (8bits).  Explicit VR Little Endian for other XA images	1.2.840.10008.1.2.4.70 for images 512x512 (8bits).  1.2.840.10008.1.2.1 for other XA images
Xray Radiofluoroscopic Image Storage	1.2.840.10008.5.1.4.1.1.12.2	Explicit VR Little Endian	1.2.840.10008.1.2.1
Secondary Capture Image Storage	1.2.840.10008.5.1.4.1.1.7	Explicit VR Little Endian	1.2.840.10008.1.2.1
Digital X-Ray Image Storage - For Presentation	1.2.840.10008.5.1.4.1.1.1.1	Explicit VR Little Endian	1.2.840.10008.1.2.1
Digital X-Ray Image Storage - For Processing	1.2.840.10008.5.1.4.1.1.1.1.1	Explicit VR Little Endian	1.2.840.10008.1.2.1
Digital Mammography X-Ray Image Storage - For Presentation	1.2.840.10008.5.1.4.1.1.1.2	Explicit VR Little Endian	1.2.840.10008.1.2.1
Digital Mammography X-Ray Image Storage - For Processing	1.2.840.10008.5.1.4.1.1.1.2.1	Explicit VR Little Endian	1.2.840.10008.1.2.1
Nuclear Medicine Image Storage	1.2.840.10008.5.1.4.1.1.20	Explicit VR Little Endian	1.2.840.10008.1.2.1
Standalone Curve Storage	1.2.840.10008.5.1.4.1.1.9	Explicit VR Little Endian	1.2.840.10008.1.2.1
Positron Emission Tomography Image Storage	1.2.840.10008.5.1.4.1.1.128	Explicit VR Little Endian	1.2.840.10008.1.2.1
Standalone PET Curve Storage	1.2.840.10008.5.1.4.1.1.129	Explicit VR Little Endian	1.2.840.10008.1.2.1

RT Image Storage	1.2.840.10008.5.1.4.1.1.481.1	Explicit VR Little Endian	1.2.840.10008.1.2.1
RT Structure Set Storage	1.2.840.10008.5.1.4.1.1.481.3	Explicit VR Little Endian	1.2.840.10008.1.2.1
RT Plan Storage	1.2.840.10008.5.1.4.1.1.481.5	Explicit VR Little Endian	1.2.840.10008.1.2.1
GE Private DICOM RT Plan	1.2.840.113619.4.5.249	Explicit VR Little Endian	1.2.840.10008.1.2.1
NM Genie Private Data	1.2.840.113619.4.27	Explicit VR Little Endian	1.2.840.10008.1.2.1
PET Advance Private Data	1.2.840.113619.4.30	Explicit VR Little Endian	1.2.840.10008.1.2.1
GE Private DICOM 3D object	1.2.840.113619.4.26	Explicit VR Little Endian	1.2.840.10008.1.2.1

**3.4.1.1.2 Directory Augmentations**

No Directory Augmentation is implemented.

**3.4.1.1.3 Other Augmentations**

No Other Augmentations are implemented.

**3.4.2 Private Application Profiles**

GE Private DICOM Profile PRI-CTMR-MOD12 is implemented for the “Browse RWA” and “Restore RWA”.

The description of this private DICOM Profile can be found in the SIGNA HORIZON LX 8.1 CONFORMANCE STATEMENT (Direction Number: 2171143-100).

**3.5 EXTENSIONS, SPECIALIZATIONS, PRIVATIZATIONS OF SOP CLASSES AND TRANSFER SYNTAXES**

This section describes the extension of SOP Classes used in the scope of the STD-GEN-CD and AUG-XA-CD Application Profiles.

**3.5.1 Extensions, Specializations, and Privatizations of SOP Classes**

**3.5.1.1 SOP Specific Conformance Statement for SOP Media Storage Directory**

The following keys are added as Type 3 data elements in the Basic Directory IOD:

Key Attribute	Tag	Directory Record Type
Patient's Birth Date	(0010,0030)	PATIENT
Patient's Sex	(0010,0040)	PATIENT
Series Description	(0008,103E)	SERIES
Manufacturer	(0008,1090)	SERIES
Institution Name	(0008,0080)	SERIES
Institution Address	(0008,0081)	SERIES
Attending Physician's Name	(0008,1050)	SERIES
Image Type	(0008,0008)	IMAGE
Image Date	(0008,0023)	IMAGE
Image Time	(0008, 0033)	IMAGE
Recommended Display Frame Rate	(0008,2144)	IMAGE
Radiation Settings	(0018,1155)	IMAGE (See Note 1)
Image Comments	(0020,4000)	IMAGE
Number Of Frames	(0028,0008)	IMAGE
Rows	(0028,0010)	IMAGE
Columns	(0028,0011)	IMAGE
Angle Value 1	(0019,xx01)	IMAGE (See Note 2)
Angle Value 2	(0019,xx02)	IMAGE (See Note 2)
Angle Value 3	(0019,xx03)	IMAGE (See Note 2)
Angle Label 1	(0019,xx04)	IMAGE (See Note 2)
Angle Label 2	(0019,xx05)	IMAGE (See Note 2)
Angle Label 3	(0019,xx06)	IMAGE (See Note 2)

**Note :** Radiation Settings can be valued for XA and RF images only.

**Note :** Private group 19 is written in the IMAGE record of the SOP Media Storage Directory if it is present in the original image from the GEMS DLX acquisition machine and Private Creator Identification is DLX\_SERIE\_01.

**3.5.1.2 Private data dictionary**

**TABLE 3.5-1**  
**PRIVATE CREATOR IDENTIFICATION (DLX\_SERIE\_01)**

<b>Attribute Name</b>	<b>Tag</b>	<b>VR</b>	<b>VM</b>
Angle Value 1	(0019,xx01)	DS	1
Angle Value 2	(0019,xx02)	DS	1
Angle Value 3	(0019,xx03)	DS	1
Angle Label 1	(0019,xx04)	CS	1
Angle Label 2	(0019,xx05)	CS	1
Angle Label 3	(0019,xx06)	CS	1

**3.5.2 Private Transfer Syntax Specification**

No private Transfer Syntax is written on media by the described DICOM CDR/CDROM SERVER AE or DICOM MOD SERVER AE of Advantage Workstation 4.0.

**3.6 CONFIGURATION**

The source AE Title encoded in the File Meta-Information can not be modified.

**3.7 SUPPORT OF EXTENDED CHARACTER SETS**

The Advantage Workstation 4.0 will support only the ISO\_IR 100 (ISO 8859-1:1987 Latin alphabet N 1. supplementary set) as extended character sets. Any incoming SOP instance that is encoded using another extended character set will not be installed in the local database.

## **4. STUDY ROOT QUERY/RETRIEVE INFORMATION MODEL DEFINITION**

### **4.1 INTRODUCTION**

This section specifies the use of the DICOM Study Root Query/Retrieve Model used to organize data and against which a Query/Retrieve will be performed. The contents of this section are:

4.2 - Information Model Description

4.3 - Information Model Entity-Relationship Model

4.4 - Information Model Keys

### **4.2 STUDY ROOT INFORMATION MODEL DESCRIPTION**

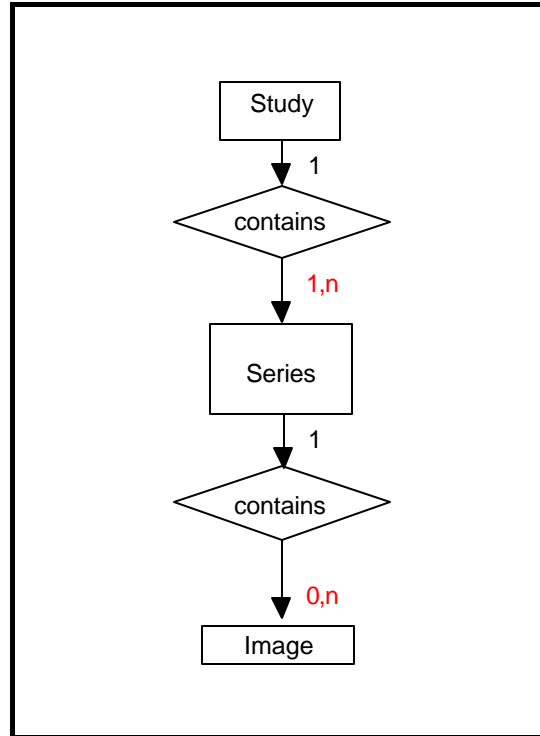
### **4.3 STUDY ROOT INFORMATION MODEL ENTITY-RELATIONSHIP MODEL**

The Entity-Relationship diagram for the Study Root Information Model schema is shown in Illustration 4.3-1. In this figure, the following diagrammatic convention is established to represent the information organization:

- each entity is represented by a rectangular box
- each relationship is represented by a diamond shaped box.
- the fact that a relationship exists between two entities is depicted by lines connecting the corresponding entity boxes to the relationship boxes.

The relationships are fully defined with the maximum number of possible entities in the relationship shown. In other words, the relationship between Series and Image can have up to **n** Images per Series.

ILLUSTRATION 4.3-1  
 STUDY ROOT QUERY/RETRIEVE INFORMATION MODEL E/R DIAGRAM



**4.3.1 Entity Descriptions**

Please refer to DICOM Standard PS 3.4 (Service Class Specifications) for a description of each of the levels contained within the Study Root Query/Retrieve Information Model.

**4.3.2 Advantage Workstation 4.0 Mapping of DICOM entities**

TABLE 4.3-1  
 MAPPING OF DICOM ENTITIES TO ADVANTAGE WORKSTATION 4.0 ENTITIES

DICOM	Advantage Workstation 4.0 Entity
Study	Exam
Series	Series
Image	Image

**4.4 INFORMATION MODEL KEYS**

Please refer to DICOM Standard PS 3.4 (Service Class Specifications) for a description of each of the levels contained within the Study Root Query/Retrieve Information Model.

The following Level descriptions are included to specify what data elements are supported and what type of matching can be applied. It should be noted that they are the same ones as defined in the DICOM v3.0 Standard PS 3.4 (Service Class Specifications).

**4.4.1 Supported Matching**

Following are the types of matching that can be request by the implementation:

- Single Value Matching
- List of UID Matching
- Universal Matching
- Wild Card Matching
- Range of date, Range of Time Matching

**4.4.2 Study Level**

This section defines the keys at the Study Level of the Study Root Query/Retrieve Information Model that are supported by this implementation.

**TABLE 4.4-4.4-1  
STUDY LEVEL ATTRIBUTES FOR THE STUDY ROOT  
QUERY/RETRIEVE INFORMATION MODEL**

Attribute Name	Tag	Type	Attribute Description
Study Date	(0008,0020)	R	filtering is possible
Study Time	(0008,0030)	R	filtering is possible
Accession Number	(0008,0050)	R	
Patient's Name	(0010,0010)	R	filtering is possible
Patient ID	(0010,0020)	R	filtering is possible
Study ID	(0020,0010)	R	
Study Instance UID	(0020,000D)	U	filtering is possible
Study Description	(0008,1030)	O	
Name of Physician reading study	(0008,1060)	O	

**TABLE 4.4-4.4-2  
Q/R STUDY LEVEL AND LOCATION FOR RETRIEVE ATTRIBUTES**

Attribute Name	Tag	Type	Note
Query Retrieve Level	(0008,0052)	-	Value = STUDY

**4.4.3 Series Level**

This section defines the keys at the Series Level of the Study Root Query/Retrieve Information Model that are supported by this implementation.

**TABLE 4.4-4.4-3  
SERIES LEVEL ATTRIBUTES FOR THE STUDY ROOT  
QUERY/RETRIEVE INFORMATION MODEL**

Attribute Name	Tag	Type	Attribute Description
Modality	(0008,0060)	R	filtering is possible
Series Number	(0020,0011)	R	
Series Instance UID	(0020,000E)	U	filtering is possible
Series Description	(0008,103E)	O	
Manufacturer	(0008,0070)	O	

**TABLE 4.4-4.4-4**  
**Q/R SERIES LEVEL AND LOCATION FOR RETRIEVE ATTRIBUTES**

Attribute Name	Tag	Type	Note
Query Retrieve Level	(0008,0052)	-	Value = SERIES

**4.4.4 Image Level**

This section defines the keys at the Image Level of the Study Root Query/Retrieve Information Model that are supported by this implementation.

**TABLE 4.4-4.4-5**  
**IMAGE LEVEL ATTRIBUTES FOR THE STUDY ROOT**  
**QUERY/RETRIEVE INFORMATION MODEL**

Attribute Name	Tag	Type	Attribute Description
Instance Number	(0020,0013)	R	
SOP Instance UID	(0008,0018)	U	filtering is possible
Image Date	(0008,0023)	O	
Image Time	(0008,0033)	O	
Contrast/Bolus Agent	(0018,0010)	O	
Sequence Variant	(0018,0021)	O	
Slice Thickness	(0018,0050)	O	
Repetition Time	(0018,0080)	O	
Echo Time	(0018,0081)	O	
Inversion Time	(0018,0082)	O	
Number of Averages	(0018,0083)	O	
Echo Numbers	(0018,0086)	O	
Spacing Between Slices	(0018,0088)	O	
Data Collection Diameter	(0018,0090)	O	
Percent Phase Field of View	(0018,0094)	O	
Trigger Time	(0018,1060)	O	
Gantry/Detector Tilt	(0018,1120)	O	
Convolution Kernel	(0018,1210)	O	
Acquisition Matrix	(0018,1310)	O	
Flip Angle	(0018,1314)	O	
Image Position Patient	(0020,0032)	O	
Image Orientation Patient	(0020,0037)	O	
Slice Location	(0020,1041)	O	
Number of Frames	(0028,0008)	O	
Rows	(0028,0010)	O	
Columns	(0028,0011)	O	
Recommended Display Frame Rate	(0028,2144)	O	



**TABLE 4.4-4.4-6  
Q/R IMAGE LEVEL AND LOCATION FOR RETRIEVE ATTRIBUTES**

<b>Attribute Name</b>	<b>Tag</b>	<b>Type</b>	<b>Note</b>
Query Retrieve Level	(0008,0052)	-	Value = IMAGE

**4.5 PRIVATE DATA DICTIONARY**

No private data dictionary is defined.

**THIS PAGE LEFT INTENTIONALLY BLANK**

## 5. NETWORK PRINT SCU CONFORMANCE STATEMENT

### 5.1 INTRODUCTION

This section of the DICOM Conformance Statement specifies the compliance to DICOM conformance requirements for the relevant Grayscale **Network Printing** features on this GEMS product. Note that the format of this section strictly follows the format defined in DICOM Standard PS 3.2 (Conformance). Please refer to that part of the standard while reading this section.

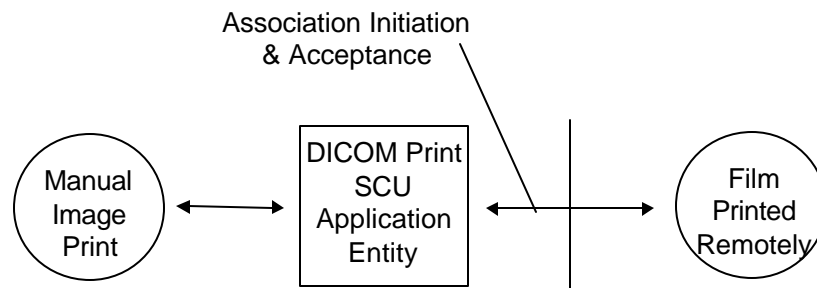
The Advantage Workstation 4.0 has the ability to compose films through the use of an application known as SCRAPBOOK. The Advantage Workstation 4.0 uses DICOM Print Management Service Class to send images to hard copy printers. The films can then be used for possible further analysis.

### 5.2 IMPLEMENTATION MODEL

#### 5.2.1 Application Data Flow Diagram

The Basic and Specific Application models for this device are shown in the following Illustration:

DICOM Print SCU Application Entity Model



The DICOM Print SCU Application Entity (AE) is an application which handles DICOM protocol communication with Remote DICOM Printers. The DICOM Print SCU AE is activated when the user requests for a print.

The DICOM Print SCU AE is invoked by the following Real World Activity:

- Manual Image Print.

For this operation, the operator uses the SCRAPBOOK application to prepare a layout of images and then send the result to a selected Remote DICOM Printer.

In manual, the PRINT MANAGER receives the “Simple print” request, composes a film then send the film to the selected Remote DICOM Printer.

#### 5.2.2 Functional Definition of AE's

The DICOM Print SCU AE supports the following functions:

- Access to pixel data in the local database.
- Initiate a DICOM association to send DICOM SOP Classes (corresponding to the DICOM Print Management service class) to a remote DICOM Printer.

### 5.2.3 Sequencing of Real-World Activities

#### 5.2.3.1 Manual Image Print

1. The user selects the remote DICOM Printer from Print Manager Graphical User Interface
2. The images to be printed shall be dragged and drop into SCRAPBOOK application either manually or automatically.
3. The PRINT MANAGER receives the “Simple print” request, composes a film then activates the DICOM Print SCU AE that initiate the following actions.
4. Initiates a DICOM association and selects a Presentation Context
5. N-GETs printer status from the Printer SOP Instance

If Printer Status is FAILURE

Signal print failure to the user

Association is aborted

Else If Printer Status is WARNING

Signal print warning to the user

Association is not aborted

Association is not released

Print goes on

6. N-CREATEs a Basic Film Session SOP Instance
7. N-CREATEs a Basic Film Box SOP Instance for the current film
8. N-SETs the Basic Film Box SOP Instance with the Image Box SOP Instance for each image on the film
9. N-ACTIONs on the Basic Film Box SOP Instance
10. N-DELETEs on the Basic Film Box SOP Instance

If DICOM\_PRINT\_WAIT\_SCP\_EVENT environment variable is set

11. Receives N-EVENT-REPORTs of the Printer SOP Instance indicating printer status
12. If no N-EVENT-REPORT has been received after a configurable timeout performs an NGET to obtain the printer status from the Printer SOP Instance

(The time out value is defined in the file ~sdc/app-defaults/dicom\_print/dprint.cfg)

13. Releases the DICOM association after printing is successful or failure has been signaled to the user

**5.3 AE SPECIFICATIONS**

**5.3.1 DICOM Print SCU AE Specification**

This Application Entity provides Standard Conformance to the following DICOM V3.0 SOP Classes as an SCU:

SOP Class Name	SOP Class UID
Basic Grayscale Print Management Meta SOP Class	1.2.840.10008.5.1.1.9

**Note:** Support of the Basic Grayscale Print Management Meta SOP Class as an SCU mandates support for the Basic Film Session, Basic Film Box, Basic Grayscale Image Box and Printer SOP Classes as an SCU.

**5.3.1.1 Association Establishment Policies**

**5.3.1.1.1 General**

The DICOM Application Context Name (ACN), which is always proposed, is:

<b>Application Context Name</b>	<b>1.2.840.10008.3.1.1.1</b>
---------------------------------	------------------------------

The Maximum Length PDU negotiation is included in all association establishment requests.

The maximum length PDU for an association initiated by the DICOM Print SCU is:

<b>Maximum Length PDU</b>	<b>16384</b>
---------------------------	--------------

The Print Management Service Class does not support extended negotiation.

The maximum number of Presentation Context Items that will be proposed is: 6

The user information Items sent by this product are:

- Maximum PDU Length
- Implementation UID
- Implementation Version Name

**Note:** 0 as PDU length is not supported in this implementation. When receiving a 0 length as PDU max length, the SCP aborts the association.

**5.3.1.1.2 Number of Associations**

The DICOM Print SCU AE supports only one association at a time. Request are internally queued.

**5.3.1.1.3 Asynchronous Nature**

Asynchronous mode is not supported. All operations will be performed synchronously.

**5.3.1.1.4 Implementation Identifying Information**

The Implementation UID for this DICOM v3.0 Implementation is:

<b>Advantage Workstation 4.0 Implementation UID</b>	<b>1.2.840.113619.6.79</b>
-----------------------------------------------------	----------------------------

The Implementation Version Name for this DICOM v3.0 Implementation is:

<b>Advantage Workstation 4.0 Implementation Version Name</b>	<b>4_0</b>
--------------------------------------------------------------	------------

**5.3.1.2 Association Initiation Policy**

The DICOM Print SCU AE initiates one association with the selected REMOTE DICOM Printer. No other association can be opened by the DICOM Print SCU AE while the current association is active.

**5.3.1.2.1 Real-World Activity “Manual Image Print”**

**5.3.1.2.1.1 Associated Real -World Activity**

The user has the possibility to drag and drop images from the VIEWER to the SCRAPBOOK application. The Print Manager application allows to define, suppress and select different REMOTE DICOM printers and to manipulate some print parameters like the number of copies. When the user requests for a print by pushing the “Print” button, the DICOM Print SCU tries to establish the association with the requested printer and sends the images for printing.

**5.3.1.2.1.2 Proposed Presentation Context Table**

<b>Presentation Context Table - Proposed</b>					
<b>Abstract Syntax</b>		<b>Transfer Syntax</b>		<b>Role</b>	<b>Extended Negotiation</b>
<b>Name</b>	<b>UID</b>	<b>Name List</b>	<b>UID List</b>		
Basic Grayscale Print Management Meta SOP Class	1.2.840.10008.5.1.1.9	Implicit VR Little Endian	1.2.840.10008.1.2	SCU	None

**5.3.1.2.1.2.1 SOP Specific DICOM Conformance Statement for Print Management SOP Classes**

For each of the supported Print Management SOP and Meta SOP Classes, the optional attributes and service elements supported, the valid range of values for mandatory and optional attributes, and the status code behavior are described in Annex.

**5.4 COMMUNICATION PROFILES**

**5.4.1 Supported Communication Stacks (PS 3.8, PS 3.9)**

DICOM Upper Layer (PS 3.8) is supported using TCP/IP.

**5.4.2 OSI Stack**

OSI stack not supported

### **5.4.3 TCP/IP Stack**

The TCP/IP stack is inherited from a UNIX Operating System.

#### **5.4.3.1 API**

Not applicable to this product.

#### **5.4.3.2 Physical Media Support**

DICOM is indifferent to the Physical medium over which TCP/IP executes (e.g. Ethernet V2.0, IEEE 802.3, ATM, FDDI)

**Note:** For more information about the Physical Media available on Advantage Workstation 4.0, please refer to the Product Data Sheet.

### **5.4.4 Point-to-Point Stack**

A 50-pin ACR-NEMA connection is not applicable to this product.

## **5.5 EXTENSIONS / SPECIALIZATIONS / PRIVATIZATIONS**

### **5.5.1 Standard Extended /Specialized/Private SOP Classes**

No Standard Extended, no Specialized, no Private SOP Classes are managed by this application.

### **5.5.2 Private Transfer Syntaxes**

No Private Transfer Syntaxes are managed by this product.

## **5.6 CONFIGURATION**

### **5.6.1 AE Title/Presentation Address Mapping**

The local DICOM Print SCU AE Title is: "PR\_Hostname" where hostname is the system hostname defined at installation. The print SCU AE Title value is defined in the file:

~sdc/app-defaults/dicom\_print/dprint.cfg

The Print Manager application allow the user to add, delete, or update the following Remote DICOM Printers parameters:

- AE Title
- DICOM Port Number
- IP address

### **5.6.2 Configurable Parameters**

For this AE (local) the following fields are configurable in the file

~sdc/ap-defaults/dcom\_print/dprint.cfg:

- Local AE Title

- Local IP Address
- Local IP Netmask

**Note:** The local Port Number may be not applicable because the product is never responding to an association request.

The following fields are configurable for every remote DICOM AE:

- Remote AE Title
- Remote IP Address
- Listening TCP/IP Port Number

Only one default router IP Address can be configured for all DICOM remote nodes (including printers, Storage SCP Workstations, ...)

The following fields are configurable:

- Association Establishment Timer (default set to 600s)
- N-SET timer (default set to 300s)
- N-ACTION timer (default set to 300s)
- N-GET timer (default set to 300s)
- N-DELETE timer (default set to 300s)
- Inactivity Timers (default set to 3000s)
- N\_EVENT timer (default set to 30s)
- Maximum Length PDU

**Note:** All configurations must be performed by a GE Field Engineer.

**Note:** Only one association can be performed at a time by this implementation.

## **5.7 SUPPORT OF EXTENDED CHARACTER SETS**

The Advantage Workstation 4.0 will support only the ISO\_IR 100 (ISO 859-1:1987 Latin alphabet N 1. supplementary set) as extended character sets. Any incoming SOP instance that is encoded using another extended character set will not be installed in the local database.



## **6. PRINT MANAGEMENT SOP CLASS DEFINITION**

### **6.1 INTRODUCTION**

This section of the DICOM Conformance Statement specifies the supported Print Management SOP and Meta SOP Classes, the optional attributes and service elements supported, the valid range of values for mandatory and optional attributes, and the status code behavior.

This section contains:

6.2.1- Basic Film Session SOP Class

6.2.2 - Basic Film Box SOP Class

6.2.3 - Image Box SOP Classes

6.2.4 - Printer SOP Class

6.2.5 - Print Job SOP Class

6.2.6- Basic Annotation Box SOP Class

6.2.7 - Image Overlay Box SOP Class

### **6.2 PRINT MANAGEMENT SOP CLASS DEFINITIONS**

#### **6.2.1 Basic Film Session SOP Class**

The DICOM Print SCU AE supports the N-CREATE DIMSE Service Element for the Basic Film Session SOP Class.

- The N-CREATE DIMSE Service element sent by the DICOM Print SCU AE requests the Remote DICOM Print SCP to create an instance of Basic Film Session.

**6.2.1.1 IOD Description**

**6.2.1.1.1 IOD modules**

Module	Reference	Module Description
SOP Common		Contains SOP Common information
Basic Film Session Presentation Module	6.2.1.1.2	Contains Film Session presentations information
Basic Film Session Relationship	6.2.1.1.3	References to related SOPs

**6.2.1.1.2 Basic Film Session Presentation Module**

Attribute name	Tag	Attribute Description
Number of Copies	(2000,0010)	1 to 10, depending of print manager configuration. Default value: 1
Print Priority	(2000,0020)	HIGH or MED or LOW depending of default configuration Default value: LOW
Medium Type	(2000,0030)	PAPER or CLEAR FILM or BLUE FILM depending of configuration of associated Remote DICOM printer Default value: BLUE FILM
Film Destination	(2000,0040)	MAGAZINE or PROCESSOR depending of configuration of associated Remote DICOM printer Default value:PROCESSOR

**Note :** Default configuration can be modified during AW4.0 installation.

**6.2.1.1.3 Basic Film Session Relationship Module**

Attribute Name	Tag	Attribute Description
Referenced Film Box Sequence	(2000,0500)	Empty
>Referenced SOP Class UID	(0008,1150)	Empty
>Referenced SOP Instance UID	(0008,1155)	Empty

**6.2.1.2 DIMSE Service Group**

DIMSE Service Element	Usage SCU
N-CREATE	M
N-SET	Not used
N-DELETE	Not used
N-ACTION	Not used

**6.2.1.2.1 N-CREATE**

**6.2.1.2.1.1 Attributes**

Attribute Name	Tag	Usage SCU
Number of Copies	(2000,0010)	Used
Print Priority	(2000,0020)	Used
Medium Type	(2000,0030)	Used
Film Destination	(2000,0040)	Used
Film Session Label	(2000,0050)	Used, not sent if empty
Memory Allocation	(2000,0060)	Not Used

**6.2.1.2.1.2 Status**

Service Status	Status Codes	Further Meaning	Application Behavior When receiving Status Codes
Warning	B600	Memory allocation not supported	Association is aborted
Success	0000	Film session successfully created	Next step describe in the sequencing of Real-World Activities paragraph is performed

**6.2.1.2.1.3 Behavior**

No specific behavior

**6.2.1.2.2 N-SET**

This service is not used.

**6.2.1.2.3 N-DELETE**

This service is not used.

**6.2.1.2.4 N-ACTION**

This service is not used.

**6.2.2 Basic Film Box SOP Class**

The DICOM Print SCU AE supports the following DIMSE Service Element for the Basic Film Box SOP Class.

- The N-CREATE DIMSE Service element sent by the DICOM Print SCU AE requests the Remote DICOM Print SCP to create an instance of Basic Film Box
- The N-ACTION DIMSE Service element sent by the DICOM Print SCU AE requests the Remote DICOM Print SCP to print the Basic Film Box onto the hard copy printer.

- The N-DELETE DIMSE Service element sent by the DICOM Print SCU AE requests the Remote DICOM Print SCP to release the Basic Film Box instance.

6.2.2.1 IOD Description

6.2.2.1.1 IOD modules

Module	Reference	Module Description
SOP Common		Contains SOP Common information
Basic Film Box Presentation Module	6.2.2.1.2	Contains Film Box presentation information
Basic Film Box Relationship	6.2.2.1.3	References to related SOPs

6.2.2.1.2 Basic Film Box Presentation Module

Attribute Name	Tag	Attribute Description
Image Display Format	(2010,0010)	STANDARD\C,R [C 1 to 5] and [R 1 to 4] SLIDE SUPERSLIDE Default value: STANDARD (Depending of configuration of associated remote DICOM printer).
Annotation Display Format ID	(2010,0030)	Not sent.
Film Orientation	(2010,0040)	PORTRAIT LANDSCAPE Default value: STANDARD (Depending of configuration of associated remote DICOM printer).
Film Size ID	(2010,0050)	8INX10IN 10INX12IN 10INX14IN 11INX14IN 14INX14IN 14INX17IN 24CMX24CM 24CMX30CM  (Depending of configuration of associated remote DICOM printer). Default value: First selection when declaring printer.
Magnification Type	(2010,0060)	One of the following defined term is sent:  REPLICATE BILINEAR CUBIC NONE Default value: CUBIC (Depending of configuration set by user when declaring the printer).
Smoothing Type	(2010,0080)	Only valid for Magnification type = CUBIC Default value: "" (Depending of configuration set by user when declaring the printer).
Border density	(2010,0100)	BLACK or WHITE depending of default configuration. Default value: BLACK

Empty Image Density	(2010,0110)	BLACK or WHITE depending of default configuration. Default value: ""
Min Density	(2010,0120)	-1 by default or set to positive integer. Default value depends of configuration set by user when declaring the printer
Max Density	(2010,0130)	-1 by default or set to positive integer. Default value depends of configuration set by user when declaring the printer
Trim	(2010,0140)	Set to YES or NO according to value set by user when declaring the printer. Default value: NO
Configuration Information	(2010,0150)	Empty by default or set to a value defined when declaring the printer.

**Note :** Smoothing Type (2010,0080) is not sent.

**6.2.2.1.3 Basic Film Box Relationship Module**

Attribute Name	Tag	Attribute Description
Referenced Film Session Sequence	(2010,0500)	Empty
>Referenced SOP Class UID	(0008,1150)	Empty
>Referenced SOP Instance UID	(0008,1155)	Empty
Referenced Image Box Sequence	(2010,0510)	Empty
>Referenced SOP Class UID	(0008,1150)	Empty
>Referenced SOP Instance UID	(0008,1155)	Empty
Referenced Basic Annotation Box Sequence	(2010,0520)	Empty
>Referenced SOP Class UID	(0008,1150)	Empty
>Referenced SOP Instance UID	(0008,1155)	Empty

**6.2.2.2 DIMSE Service Group**

DIMSE Service Element	Usage SCU
N-CREATE	M
N-ACTION	M
N-DELETE	Used

6.2.2.2.1 N-CREATE

6.2.2.2.1.1 Attributes

Attribute Name	Tag	Usage SCU
Image Display Format	(2010,0010)	M
Referenced Film Session Sequence	(2010,0500)	M
>Referenced SOP Class UID	(0008,1150)	M
>Referenced SOP Instance UID	(0008,1155)	M
Referenced Image Box Sequence	(2010,0510)	Not used
>Referenced SOP Class UID	(0008,1150)	Not used
>Referenced SOP Instance UID	(0008,1155)	Not used
Referenced Basic Annotation Box Sequence	(2010,0520)	Not used
>Referenced SOP Class UID	(0008,1150)	Not used
>Referenced SOP Instance UID	(0008,1155)	Not used
Film Orientation	(2010,0040)	Used
Film Size ID	(2010,0050)	Used
Magnification Type	(2010,0060)	Used
Max Density	(2010,0130)	Used. Not sent if -1
Configuration Information	(2010,0150)	Used. Not sent if empty
Annotation Display Format ID	(2010,0030)	Not used
Smoothing Type	(2010,0080)	Used. Not sent if magnification different of CUBIC.
Border Density	(2010,0100)	Used Not sent if empty
Empty Image Density	(2010,0110)	Used Not sent if empty
Min Density	(2010,0120)	Used Not sent if -1
Trim	(2010,0140)	Used Not sent if empty

6.2.2.2.1.2 Status

There are no specific status codes. Warning B605 not taken into account (min/max density outside of printer range)

6.2.2.2.1.3 Behavior

There is no specific behavior.

6.2.2.2.2 N-DELETE

6.2.2.2.2.1 Behavior

The SCU uses the N-DELETE to request the SCP to delete the Basic Film Box SOP Instance hierarchy.

**6.2.2.2.3 N-ACTION**

N-ACTION is used to print the current film of the film session.

**6.2.2.2.3.1 Attributes**

Action Type Name	Action Type ID	Attribute	Tag	Usage SCU
Print	1	Referenced Print Job Sequence	(2100,0500)	Not used
		>Referenced SOP Class UID	(0008,1150)	Not used
		>Referenced SOP Instance UID	(0008,1155)	Not used

**6.2.2.2.3.2 Status**

Service Status	Status Codes	Further Meaning	Application Behavior When receiving Status Codes
Success	0000	Film accepted for printing.	Next step describe in the sequencing of Real-World Activities paragraph is performed
Warning	B603	Film Box SOP Instance hierarchy does not contain Image Box SOP Instances (empty page)	This case should not happen. This warning is considered as an error. Association is aborted.
Warning	B604	Image size is larger than image box size.	This case should not happen. Image will be demagnified by the printer.
Failure	C602	Unable to create Print Job SOP Instance; print queue is full	Appropriate message is returned to the user. Association is aborted.
	C604	Image position collision: multiple images assigned to single image position	Appropriate message is returned to the user. Association is aborted.
	C603	Image size is larger than image box size (by using the specified magnification value)	Appropriate message is returned to the user. Association is aborted.

**6.2.2.2.3.3 Behavior**

SCU uses the N-ACTION to request the SCP to print one or more copies of a single film of the film session.

**6.2.3 Image Box SOP Classes**

**6.2.3.1 Basic Grayscale Image Box SOP Class**

The DICOM Print SCU AE supports the following DIMSE Service Element for the Basic Grayscale Image BoxSOP Class.

- The N-SET DIMSE Service element sent by the DICOM Print SCU AE requests the Remote DICOM Print SCP to set the attributes of the Basic Grayscale Image Box Instance.



**6.2.3.1.1 IOD description**

**6.2.3.1.1.1 IOD modules**

Module	Reference	Module Description
SOP Common		Contains SOP Common information
Image Box Presentation Module	6.2.3.1.1.2	Contains Image Box presentation information
Image Box Relationship Module	6.2.3.1.1.3	References to related SOPs

**6.2.3.1.1.2 Image Box Pixel Presentation Module**

Attribute Name	Tag	Attribute Description
Image Position	(2020,0010)	1
Polarity	(2020,0020)	NORMAL = pixels shall be printed as specified by the Photometric Interpretation (0028,0004) REVERSE = pixels shall be printed with the opposite polarity as specified by the Photometric Interpretation (0028,0004) Default value: NORMAL (Dependng of default configuration)
Magnification Type	(2010,0060)	Same value as defined in the film box
Smoothing Type	(2010,0080)	Same value as defined in the film box
Configuration Information	(2010,0150)	Same value as defined in the Film Box.
Requested Image Size	(2020,0030)	Not sent
Preformatted Grayscale Image Sequence	(2020,0110)	This sequence is always included if the Image Box is a Basic Grayscale Image Box
>Samples Per Pixel	(0028,0002)	1
>Photometric Interpretation	(0028,0004)	MONOCHROME1 or MONOCHROME2 depending of default configuration. Default value: MONOCHROME2
>Rows	(0028,0010)	Original image height
>Columns	(0028,0011)	Oiginal image width
>Pixel Aspect Ratio	(0028,0034)	1\1
>Bits Allocated	(0028,0100)	Depends on the original image pixel depth (8 or 16)
>Bits Stored	(0028,0101)	Original image pixel depth (8, 10 or 12 bits)
>High Bit	(0028,0102)	Depends on the original image pixel depth (7, 9 or 11)
>Pixel Representation	(0028,0103)	0 (Unsigned Integer)
>Pixel Data	(7FE0,0010)	

**6.2.3.1.1.3 Image Box Relationship Module**

<b>Attribute Name</b>	<b>Tag</b>	<b>Attribute Description</b>
Referenced Image Sequence	(0008,1140)	Not used
>Referenced SOP Class UID	(0008,1150)	Not used
>Referenced SOP Instance UID	(0008,1155)	Not used
>Referenced Frame Number	(0008,1160)	Not used
Referenced Image Overlay Box Sequence	(2020,0130)	Not used
>Referenced SOP Class UID	(0008,1150)	Not used
>Referenced SOP Instance UID	(0008,1155)	Not used
>Referenced Frame Number	(0008,1160)	Not used
Referenced VOI LUT Sequence	(2020,0140)	Not used
>Referenced SOP Class UID	(0008,1150)	Not used
>Referenced SOP Instance UID	(0008,1155)	Not used

**6.2.3.1.2 DIMSE Service Group**

<b>DIMSE Service Element</b>	<b>Usage SCU</b>
N-SET	M

**6.2.3.1.2.1 N-SET**

**6.2.3.1.2.1.1 Attributes**

Attribute Name	Tag	Usage SCU
Image Position	(2020,0010)	M
Preformatted Grayscale Image Sequence	(2020,0110)	M
>Samples Per Pixel	(0028,0002)	M
>Photometric Interpretation	(0028,0004)	M
>Rows	(0028,0010)	M
>Columns	(0028,0011)	M
>Pixel Aspect Ratio	(0028,0034)	1\1
>Bits Allocated	(0028,0100)	M
>Bits Stored	(0028,0101)	M
>High Bit	(0028,0102)	M
>Pixel Representation	(0028,0103)	M
>Pixel Data	(7FE0,0010)	M
Polarity	(2020,0020)	Used
Referenced Overlay Sequence	(0008,1130)	Not used
>SOP Class UID	(0008,1150)	Not used
>SOP Instance UID	(0008,1155)	Not used
Magnification Type	(2010,0060)	Used
Smoothing Type	(2010,0080)	Used. Not sent if magnification is different of CUBIC
Configuration Information	(2010,0150)	Used, not sent if empty
Requested Image Size	(2020,0030)	Not used

**6.2.3.1.2.1.2 Status**

Service Status	Status Codes	Further Meaning	Application Behavior When receiving Status Codes
Failure	C605	Insufficient memory in printer to store the image	Appropriate message is returned to the user. Association is aborted.

**6.2.3.1.2.1.3 Behavior**

There is no specific behavior.

**6.2.4 Printer SOP Class**

The DICOM Print SCU AE supports the following DIMSE Service Element for the Basic Printer SOP Class.

The N-EVENT\_REPORT DIMSE Service element sent by the DICOM Print SCP to the local DICOM Print SCU AE. The DICOM Print SCU handles the Printer Status and Printer Status Info fields. All other received data are ignored.

The N-GET DIMSE Service element sent by the DICOM Print SCU AE requests the Remote DICOM Print SCP to give information on the Remote DICOM Printer.

**6.2.4.1 IOD Description**

**6.2.4.1.1 IOD modules**

<b>Module</b>	<b>Reference</b>	<b>Module Description</b>
SOP Common		Contains SOP Common information
Printer Module	6.2.4.1.2	Contains status information to monitor the printer

6.2.4.1.2 Printer Module

Attribute Name	Tag	Attribute Description
Printer Status	(2110,0010)	The behaviour defined for the following term NORMAL: Association goes on. FAILURE: Association is aborted. WARNING: Association is not released
Printer Status Info	(2110,0020)	Printer return value
Printer Name	(2110,0030)	Printer return value
Manufacturer	(0008,0070)	Printer return value if not empty
Manufacturer Model Name	(0008,1090)	Printer return value if not empty
Device Serial Number	(0018,1000)	Printer return value if not empty
Software Versions	(0018,1020)	Printer return value if not empty
Date Of Last Calibration	(0018,1200)	Printer return value if not empty
Time Of Last Calibration	(0018,1201)	Printer return value if not empty

6.2.4.2 DIMSE Service Group

DIMSE Service Element	Usage SCU
N-EVENT-REPORT	M
N-GET	U

6.2.4.2.1 N-EVENT-REPORT

6.2.4.2.1.1 Attributes

Event Type Name	Event Type ID	Attribute	Tag	Usage SCU
Normal	1	Printer Name	(2110,0030)	Used
		Printer Status Info	(2110,0020)	Used
Warning	2	Printer Name	(2110,0030)	Used
		Printer Status Info	(2110,0020)	Used
Failure	3	Printer Name	(2110,0030)	Used
		Printer Status Info	(2110,0020)	Used

6.2.4.2.1.2 Behavior

On reception Failure status, the Print SCU aborts the association.

If Printer Status is FAILURE

Signal print failure to the user, association is aborted

Else If Printer Status is WARNING

Signal print warning to the user

Else

Signal print success to the user

6.2.4.2.2 N-GET

6.2.4.2.2.1 Attributes

Attribute name	Tag	Usage SCU
Printer Status	(2110,0010)	Used
Printer Status Info	(2110,0020)	Used
Printer Name	(2110,0030)	Used if return by he printer
Manufacturer	(0008,0070)	Used if return by he printer
Manufacturer Model Name	(0008,1090)	Used if return by he printer
Device Serial Number	(0018,1000)	Used if return by he printer
Software Versions	(0018,1020)	Used if return by he printer
Date Last Calibration	(0018,1200)	Used if return by he printer
Last Calibration	(0018,1201)	Used if return by he printer

6.2.4.2.2.2 Behavior

If Printer Status is FAILURE  
    Signal print failure to the user, association aborted  
Else If Printer Status is WARNING  
    Signal print warning to the user  
Else  
    Signal print success to the user

6.2.5 Print Job SOP Class

This SOP Class is not supported by this implementation.

6.2.6 Basic Annotation Box SOP Class

This SOP Class is not supported by this implementation.

6.2.7 Image Overlay Box SOP Class

This SOP Class is not supported by this implementation.

## 7. SC INFORMATION OBJECT IMPLEMENTATION

### 7.1 INTRODUCTION

This section specifies the use of the DICOM SC Image IOD to represent the information included in SC images produced by this implementation. Corresponding attributes are conveyed using the module construct. The contents of this section are:

7.2- SC Entity-Relationship Model

7.3- SC-IOD MODULE TABLE

0- IOD Module Definition

7.5- PRIvate data dictionary

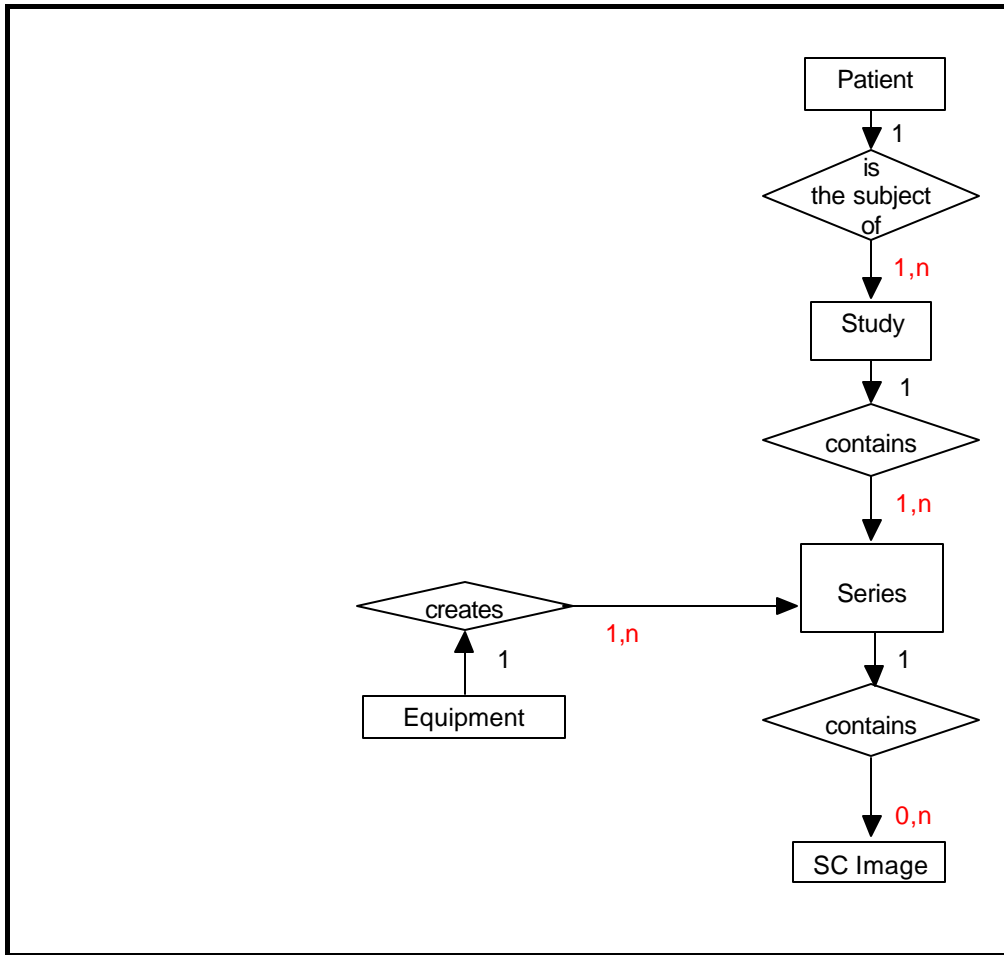
### 7.2 SC ENTITY-RELATIONSHIP MODEL

The Entity-Relationship diagram for the SC Image interoperability schema is shown in **Illustration 7.2.1**. In this figure, the following diagrammatic convention is established to represent the information organization:

- each entity is represented by a rectangular box
- each relationship is represented by a diamond shaped box.
- the fact that a relationship exists between two entities is depicted by lines connecting the corresponding entity boxes to the relationship boxes.

The relationships are fully defined with the maximum number of possible entities in the relationship shown. In other words, the relationship between Series and Image can have up to  $n$  Images per Series, but the Patient to Study relationship has 1 Study for each Patient (a Patient can have more than one Study on the system, however each Study will contain all of the information pertaining to that Patient).

ILLUSTRATION 7.2-1  
SC IMAGE ENTITY RELATIONSHIP DIAGRAM



7.2.1 ENTITY DESCRIPTIONS

Please refer to DICOM Standard Part 3 (Information Object Definitions) for a description of each of the entities contained within the SC Information Object.



**7.2.2 Advantage Workstation 4.0 Mapping of DICOM entities**

**TABLE 7.2-1  
 MAPPING OF DICOM ENTITIES TO ADVANTAGE WORKSTATION 4.0 ENTITIES**

DICOM	Advantage Workstation 4.0 Entity
Patient	Patient
Study	Exam
Series	Series
Image	Image

**7.3 SC-IOD MODULE TABLE**

Within an entity of the DICOM v3.0 SC IOD, attributes are grouped into related set of attributes. A set of related attributes is termed a module. A module facilitates the understanding of the semantics concerning the attributes and how the attributes are related with each other. A module grouping does not infer any encoding of information into datasets.

Table 7.3.1 identifies the defined modules within the entities which comprise the DICOM v3.0 SC IOD. Modules are identified by Module Name.

See DICOM v3.0 Part 3 for a complete definition of the entities, modules, and attributes.

**TABLE 7.3-1  
 SC IMAGE IOD MODULES**

Entity Name	Module Name	Reference
Patient	Patient	7.4.1.1
Study	General Study	7.4.1.2
	Patient Study	7.4.2.2
Series	General Series	7.4.3.1
Equipment	General Equipment	7.4.4.1
	SC Equipment	
Image	General Image	7.4.5.1
	Image Pixel	7.4.5.2
	SC Image	
	Overlay Plane	
	Modality LUT	7.4.7.2
	VOI LUT	7.4.7.1
	SOP Common	7.4.8.1

**7.4 SC-INFORMATION MODULE DEFINITIONS**

Please refer to DICOM v3.0 Standard Part 3 (Information Object Definitions) for a description of each of the entities and modules contained within the SC Information Object.

The following modules are included to convey Enumerated Values, Defined Terms, and Optional Attributes supported. Type 1 & Type 2 Attributes are also included for completeness and to define what values they may take and where these values are obtained from. It should be noted that they are the same ones as defined in the DICOM v3.0 Standard Part 3 (Information Object Definitions).

**7.4.1 Common Patient Entity Modules**

**7.4.1.1 Patient Module**

This section specifies the Attributes of the Patient that describe and identify the Patient who is the subject of a diagnostic Study. This Module contains Attributes of the patient that are needed for diagnostic interpretation of the Image and are common for all studies performed on the patient.

A Screen Save image is a DICOM Secondary Capture generated by AW4.0 and having the modality other than the original image.

**TABLE 7.4-1**  
**PATIENT MODULE ATTRIBUTES**

<b>Attribute Name</b>	<b>Tag</b>	<b>Type</b>	<b>Attribute Description</b>
Patient's Name	(0010,0010)	2	Original if Screen Save image. Original if patients are not mixed in Scrapbook image. User defined if patients are mixed in Scrapbook image.
Patient ID	(0010,0020)	2	Original if Screen Save image. Original if patients are not mixed in Scrapbook image. function of pid and time if patients are mixed in Scrapbook image
Patient's Birth Date	(0010,0030)	2	Original if Screen Save image. Original if patients are not mixed in Scrapbook image. Empty if patients are mixed in Scrapbook image.
Patient's Sex	(0010,0040)	2	Original if Screen Save image. Original if patients are not mixed in Scrapbook image. Empty if patients are mixed in Scrapbook image.

**7.4.2 Common Study Entity Modules**

The following Study IE Modules are common to all Composite Image IODs which reference the Study IE. These Module contain Attributes of the patient and study that are needed for diagnostic interpretation of the image.

**7.4.2.1 General Study Module**

This section specifies the Attributes, which describe and identify the Study performed upon the Patient.

**TABLE 7.4-2**  
**GENERAL STUDY MODULE ATTRIBUTES**

<b>Attribute Name</b>	<b>Tag</b>	<b>Type</b>	<b>Notes</b>
Study Instance UID	(0020,000D)	1	Same as original (Empty if does not exist ) for Screen Save image Scrapbook generated name for MID and teaching file.
Study Date	(0008,0020)	2	Same as original (Empty if does not exist ) for Screen Save image Scrapbook generated name for MID and teaching file.
Study Time	(0008,0030)	2	Same as original (Empty if does not exist ) for Screen Save image Scrapbook generated name for MID and teaching file.
Referring Physician's Name	(0008,0090)	2	Same as original (Empty if does not exist ) for Screen Save image Scrapbook generated name for MID and teaching file.
Study ID	(0020,0010)	2	Same as original (Empty if does not exist ) for Screen Save image Scrapbook generated name for MID and teaching file.
Accession Number	(0008,0050)	2	Same as original (Empty if does not exist ) for Screen Save image Scrapbook generated value for MID and teaching file
Study Description	(0008,1030)	3	Same as original (Empty if does not exist ) for Screen Save image Scrapbook generated value for MID and teaching file

**7.4.2.2 Patient Study Module**

This section defines Attributes that provide information about the Patient at the time the Study was performed.

**TABLE 7.4-3**  
**PATIENT STUDY MODULE ATTRIBUTES**

<b>Attribute Name</b>	<b>Tag</b>	<b>Type</b>	<b>Attribute Description</b>
Patient's Age	(0010,1010)	3	Original if Screen Save Image Original, if mixed images belong to the same study. Empty if mixed images do not belong to the same study.
Patient's Size	(0010,1020)	3	Original if Screen Save Image Original, if mixed images belong to the same study. Empty if mixed images do not belong to the same study.
Patient's Weight	(0010,1030)	3	Original if Screen Save Image Original, if mixed images belong to the same study. Empty if mixed images do not belong to the same study.

**7.4.3 Common Series Entity Modules**

The following Series IE Modules are common to all Composite Image IODs which reference the Series IE.

**7.4.3.1 General Series Module**

This section specifies the Attributes which identify and describe general information about the Series within a Study.

**TABLE 7.4-4**  
**GENERAL SERIES MODULE ATTRIBUTES**

Attribute Name	Tag	Type	Attribute Description
Modality	(0008,0060)	1	Original if Screen Save Image. OT (Other) if Scrapbook Image.
Series Instance UID	(0020,000E)	1	Generated
Series Number	(0020,0011)	2	Generated
Laterality	(0020,0060)	2C	Same as original image if present. Empty if MID and teaching file.
Series Description	(0008,103E)	3	SCRAPBOOK ARS3_0 if Scrapbook Image. Screen Save if Screen Save Image.
Patient Position	(0018,5100)	2C	Original if screen Save Image Empty if MID and Teaching file.

**7.4.4 Common Equipment Entity Modules**

The following Equipment IE Module is common to all Composite Image IODs which reference the Equipment IE.

**7.4.4.1 General Equipment Module**

This section specifies the Attributes which identify and describe the piece of equipment which produced a Series of Images.

TABLE 7.4-5  
GENERAL EQUIPMENT MODULE ATTRIBUTES

Attribute Name	Tag	Type	Attribute Description
Manufacturer	(0008,0070)	2	Derived from original image Derived from original image if all MID images contain same value, otherwise empty value.
Institution Name	(0008,0080)	3	Derived from original image Derived from original image if all MID images contain same value, otherwise empty value.
Institution Address	(0008,0081)	3	Derived from original image Derived from original image if all MID images contain same value, otherwise empty value.
Station Name	(0008,1010)	3	Derived from original image Derived from original image if all MID images contain same value, otherwise empty value.
Manufacturer's Model Name	(0008,1090)	3	Derived from original image Derived from original image if all MID images contain same value, otherwise empty value.
Software Versions	(0018,1020)	3	Derived from original image Derived from original image if all MID images contain same value, otherwise empty value.

7.4.4.1.1 General Equipment Attribute Descriptions

7.4.4.1.1.1 Pixel Padding Value

Not used

7.4.5 Common Image Entity Modules

The following Image IE Modules are common to all Composite Image IODs which reference the Image IE.

7.4.5.1 General Image Module

This section specifies the Attributes which identify and describe an image within a particular series.

TABLE 7.4-6  
GENERAL IMAGE MODULE ATTRIBUTES

Attribute Name	Tag	Type	Attribute Description
Instance Number	(0020,0013)	2	Generated
Patient Orientation	(0020,0020)	2C	See 7.4.5.1.1.1.
Image Date	(0008,0023)	2C	derived from original
Image Time	(0008,0033)	2C	derived from original
Image Type	(0008,0008)	3	See 7.4.5.1.1.2.

**7.4.5.1.1 General Image Attribute Descriptions**

**7.4.5.1.1.1 Patient Orientation**

derived from original if Screen Save.

Empty if Scrapbook.

**7.4.5.1.1.2 Image Type**

This type is set to:

DERIVED\SECONDARY<Originaltype>\SCREEN SAVE in case of Screen Save

DERIVED\SECONDARY\OTHER\SCRAPBOOK ARS2\_0 in case of Scrapbook

**7.4.5.1.1.3 Derivation Description and Source Image Sequence**

This sequence is not encoded

**7.4.5.1.1.4 Lossy Image Compression**

Not Supported

7.4.5.2 Image Pixel Module

This section specifies the Attributes that describe the pixel data of the image.

TABLE 7.4-7  
IMAGE PIXEL MODULE ATTRIBUTES

Attribute Name	Tag	Type	Attribute Description
Samples per Pixel	(0028,0002)	1	1 - if image is displayed in levels of gray 3 - if image is displayed in full colors 1 - if all images mixed in a MID are displayed in levels of gray 3 - if at least one of the images mixed in a MID is displayed in full color
Photometric Interpretation	(0028,0004)	1	<u>Secondary Capture images and teaching files:</u> Set to MONOCHROME1 if an image was inverted and the element (0x0028, 0x0002) is set to the value 1. Set to MONOCHROME2 if an image was not inverted and the element (0x0028, 0x0002) is set to the value 1. Set to RGB If the element (0x0028, 0x0002) is set to the value of 3. <u>MID:</u> Set to RGB If the element (0x0028, 0x0002) is set to the value of 3. Otherwise the MONOCHROME2 value is used
Planar Configuration	(0028, 0006)	1C	Set to 000, if element (0x0028, 0x0002) has value greater than 1, otherwise Empty.
Rows	(0028,0010)	1	1024 if rows and columns are both 1024 in original image. 512 in all other cases (including images having more than 1024 columns)
Columns	(0028,0011)	1	1024 if rows and columns are both 1024 in original image. 512 in all other cases (including images having more than 1024 columns)
Bits Allocated	(0028,0100)	1	<u>For Secondary Capture images and Teaching files:</u> Copy of original image <i>Bits Allocated</i> value or 8 if the element (0028, 0002) has value 3. <u>MID:</u> Either 8 or 16 depending on constructed MID image



Bits Stored	(0028,0101)	1	<p><u>For Secondary Capture images and Teaching files:</u></p> <p>Copy of original image <i>Bits Stored</i> value or 8 if the element (0028, 0002) has value 3</p> <p><u>MID:</u></p> <p>Either 8 (for gray scaled and RGB images) or 16 (for gray scaled images) depending on constructed MID image</p>
High Bit	(0028,0102)	1	<p><u>For Secondary Capture images and Teaching files:</u></p> <p>Copy of original image <i>High Bit</i> value or 8 if the element (0028, 0002) has value 3</p> <p><u>MID:</u></p> <p>One of the values: 8,16 depending on the resulting MID image</p>
Pixel Representation	(0028,0103)	1	<p><u>For Secondary Capture images and Teaching files:</u></p> <p>Copy of original image <i>Pixel Representation</i> value or 0000h if the element (0028, 0002) has value 3</p> <p><u>MID:</u></p> <p>Set to 0000h</p>
Pixel Data	(7FE0,0010)	1	YES

**7.4.6 Overlay Plan Modules**

This module is not implemented for this IOD.

**7.4.7 Lookup Table Modules**

**7.4.7.1 VOI LUT module**

This section specifies the Attributes that describe the VOI LUT.

**TABLE 7.4-8  
VOI LUT MODULE ATTRIBUTES**

Attribute Name	Tag	Type	Attribute Description
Window Center	(0028,1050)	3	<p>For Secondary Capture images and Teaching files</p> <p>Current <i>Window Center (WL)</i> + value of element (0x0028,0x1052) of original image if found in the original image header. This element is applicable only with <i>Photometric Interpretation</i> (0x0028,0x0004) value of MONOCHROME1 and MONOCHROME2 otherwise this element is <i>Not applicable</i></p> <p><u>MID:</u></p> <p>if the <i>photometric interpretation</i> (0x0028,0x0004) value is monochrome1 or monochrome2 then following algorithm is used to calculate the <i>window center</i>:</p> <p><math>wl = \text{window width}/2</math></p>

Window Width	(0028,1051)	1C	<p><u>For Secondary Capture images and Teaching files.</u></p> <p>If <i>Window Width</i> (0x0028,0x1050) value is stored a window width value is stored in this element. This element is written only with <i>Photometric Interpretation</i> (0x0028,0x0004) value of MONOCHROME1 and MONOCHROME2 otherwise this element is <i>Not applicable</i></p> <p>MID: if the <i>photometric interpretation</i> (0x0028,0x0004) value is monochrome1 or monochrome2 then following algorithm is used to calculate the <i>window width</i>.</p> <p>if the value of element <i>allocated bits</i> is 16 then the window width element has a value of 0xffff.</p> <p>If the value of element <i>Allocated Bits</i> is 8 then the Window Width element has a value of 0xFF.</p>
--------------	-------------	----	------------------------------------------------------------------------------------------------------------------------------------------------------------------------------------------------------------------------------------------------------------------------------------------------------------------------------------------------------------------------------------------------------------------------------------------------------------------------------------------------------------------------------------------------------------------------------------------------------------------------------------------------------------------------------------------------------------------------------------------------------------------------

7.4.7.2 Modality LUT module

This section specifies the Attributes that describe the Modality LUT.

TABLE 7.4-9  
MODALITY LUT MODULE ATTRIBUTES

Attribute Name	Tag	Type	Attribute Description
Rescale Intercept	(0028,1052)	1C	<p>If original image header contains <i>Rescale intercept</i> value then the SC image contains its copy or the element is <i>Not applicable</i> if the element (0028, 0002) has value 3 or, if neither condition can be satisfied this element is <i>Not applicable</i>.</p> <p><i>Not applicable</i> for MID.</p>
Rescale Slope	(0028,1053)	1C	<p>If original image header contains <i>Rescale slope</i> value then the SC image contains its copy or the element is <i>Not applicable</i> if the element (0028, 0002) has value 3 or, if neither condition can be satisfied this element is <i>Not applicable</i>.</p> <p><i>Not applicable</i> for MID</p>
Rescale Type	(0028,1054)	1C	<p>US type <i>Not applicable</i> if the element (0028, 0002) has value of 3</p>

**7.4.8 General Modules**

The SOP Common Module is mandatory for all DICOM IODs.

**7.4.8.1 SOP Common Module**

This section defines the Attributes which are required for proper functioning and identification of the associated SOP Instances. They do not specify any semantics about the Real-World Object represented by the IOD.

**TABLE 7.4-10  
SOP COMMON MODULE ATTRIBUTES**

Attribute Name	Tag	Type	Attribute Description
SOP Class UID	(0008,0016)	1	1.2.840.10008.5.1.4.1.1.7
SOP Instance UID	(0008,0018)	1	Generated from GE Based UID; <station configuration> and timestamp.
Specific Character Set	(0008,0005)	1C	<p><u>For Secondary Capture images and teaching files:</u></p> <p>A copy of original image character set or default ISO_IR 100 character set if the character set cannot be found in original image (actually ISO_IR 100 character set is always used).</p> <p><u>MID:</u></p> <p>The image must be refused if the images that form MID secondary capture have different <i>Character Sets</i>. The common character set is used in this field.</p> <p><b>IMPORTANT:</b> if one of the following notation is encountered in this field of the original image: iso ir 100, iso-ir 100 the creation of secondary capture cannot be refused and correct character set must be used for this field instead.</p> <p><b>NOTE:</b> The process of generation of the secondary capture image does not support escape sequences like following: ISO 2022 IR 100\ISO 2022 IR 109. If an escape sequence is used in the original image the creation of the secondary capture can be refused (especially in the case of MID).</p>

**7.4.9 SC Modules**

This Section describes SC Equipment, and Image Modules. These Modules contain Attributes that are specific to SC Image IOD.

**7.4.9.1 SC Equipment Module**

This Module describes equipment used to convert images into a DICOM format.

TABLE 7.4-11  
SC IMAGE EQUIPMENT MODULE ATTRIBUTES

Attribute Name	Tag	Type	Attribute Description
Conversion Type	(0008,0064)	1	WSD
Modality	(0008,0060)	3	Original if Screen Save Image OT if Scrapbook Image
Secondary Capture Device ID	(0018,1010)	3	real UNIX station host name
Secondary Capture Device Manufacturer	(0018,1016)	3	GE MEDICAL SYSTEMS
Secondary Capture Device Manufacturer's Model Name	(0018,1018)	3	A.W.4.0
Secondary Capture Device Software Version	(0018,1019)	3	build: <software version build identifier>

#### 7.4.9.2 SC Image Module

The table in this Section contains IOD Attributes that describe SC images.

TABLE 7.4-12  
SC IMAGE MODULE ATTRIBUTES

Attribute Name	Tag	Type	Attribute Description
Date of Secondary Capture	(0018,1012)	3	Creation date of the Secondary Capture
Time of Secondary Capture	(0018,1014)	3	Creation time of the Secondary Capture

### 7.5 PRIVATE DATA DICTIONARY

This section describes the private attributes of this IOD.

TABLE 7.5-1  
PRIVATE CREATOR IDENTIFICATION: GEMS\_AWSOFT\_SB1

Attribute Name	Tag	Type	VR	VM	Attribute Description
PrivateElement Creator	(0039,00XX)	3	LO	1	Identification String. Set to GEMS_AWSoft_SB1
SBookPageNumber	(0039,XX10)	3	IS	1	Page number of the scrapbook
SBookPageFormat	(0039,XX20)	3	ST	1	Page format of the scrapbook
SBookImagePosition	(0039,XX30)	3	IS	1	Image Position of the scrapbook
SBookTeachingFileFlag	(0039,XX40)	3	ST	1	Flag of the scrapbook teaching file
SBookNotepadText	(0039,XX41)	3	LT	1	Notepad text of the scrapbook
Reference to Study UID	(0039,XX50)	3	UI	1	Reference of the original Study UID if applicable
Reference to Series UID	(0039,XX51)	3	UI	1	Reference of the original Series UID if applicable
Reference to Original Instance Number	(0039,XX52)	3	IS	1	Reference of the original Instance Number if applicable

TABLE 7.5-2 TABLE 7.5-3  
PRIVATE CREATOR IDENTIFICATION: GEMS\_IDEM\_01

Attribute Name	Tag	Type	VR	VM	Attribute Description
Full fidelity	(0009,XX01)	3	LO	1	Refer to SM2162114. Appendix B
Suite id	(0009,XX02)	3	SH	1	Refer to SM2162114. Appendix B
Product id	(0009,XX04)	3	SH	1	Refer to SM2162114. Appendix B
Image actual date	(0009,XX27)	3	SL	1	Refer to SM2162114. Appendix B
Service id	(0009,XX30)	3	SH	1	Refer to SM2162114. Appendix B
Mobile location number	(0009,XX31)	3	SH	1	Refer to SM2162114. Appendix B
Equipment UID	(0009,XXE3)	3	UI	1	Refer to SM2162114. Appendix B
Genesis Version - now	(0009,XXE6)	3	SH	1	Refer to SM2162114. Appendix B
Exam Record checksum	(0009,XXE7)	3	UL	1	Refer to SM2162114. Appendix B
Series Suite Id	(0009,XXE8)	3	SH	1	Refer to SM2162114. Appendix B
Actual series data time stamp	(0009,XXE9)	3	SL	1	Refer to SM2162114. Appendix B

TABLE 7.5-4  
PRIVATE CREATOR IDENTIFICATION: GEMS\_REL\_01

Attribute Name	Tag	Type	VR	VM	Attribute Description
Series from which Prescribed	(0021,XX03)	3	SS	1	Refer to SM2162114. Appendix B
Genesis Version - now	(0021,XX05)	3	SH	1	Refer to SM2162114. Appendix B
Series Record checksum	(0021,XX07)	3	UL	1	Refer to SM2162114. Appendix B
Screen Format	(0021,XX37)	3	SS	1	Refer to SM2162114. Appendix B

TABLE 7.5-5  
PRIVATE CREATOR IDENTIFICATION: GEMS\_SERS\_01

Attribute Name	Tag	Type	VR	VM	Attribute Description
Images in Series	(0025,XX07)	3	SL	1	Refer to SM2162114. Appendix B
Last Instance Number used	(0025,XX19)	3	SL	1	Refer to SM2162114. Appendix B
Primary Receiver Suite and Host	(0025,XX1A)	3	SH	1	Refer to SM2162114. Appendix B
Screen Format	(0021,XX37)	3	SS	1	Refer to SM2162114. Appendix B

TABLE 7.5-6  
PRIVATE CREATOR IDENTIFICATION: GEMS\_IMPS\_01

Attribute Name	Tag	Type	VR	VM	Attribute Description
Version of the hdr struct	(0029,XX26)	3	SS	1	Refer to SM2162114. Appendix B
Advantage comp. Overflow	(0029,XX34)	3	SL	1	Refer to SM2162114. Appendix B
Advantage comp. Underflow	(0029,XX35)	3	SL	1	Refer to SM2162114. Appendix B

**TABLE 7.5-7  
PRIVATE CREATOR IDENTIFICATION: GEMS\_PARM\_01**

<b>Attribute Name</b>	<b>Tag</b>	<b>Type</b>	<b>VR</b>	<b>VM</b>	<b>Attribute Description</b>
Decon kernel parameters	(0043,XX13)	3	SS	5	Refer to SM2162114. Appendix B

**Note:** These elements are present in the generated Secondary Capture if these elements were present in the original images

## 8. PRIVATE OBJECT INFORMATION OBJECT IMPLEMENTATION

### 8.1 INTRODUCTION

This section specifies the use of the (DPO) DICOM Private Object IOD to represent the information included in DPOs produced by this implementation. Corresponding attributes are conveyed using the module construct. The DICOM Private Object is for internal use only. It cannot be networked and archived. It can only be stored into Advantage Workstation Database. The contents of this section are:

7.2- SC Entity-Relationship Model

7.3- SC-IOD MODULE TABLE

0- IOD Module Definition

7.5- PRIVATE data dictionary

**Note :** This private DICOM object does not contain pixels.

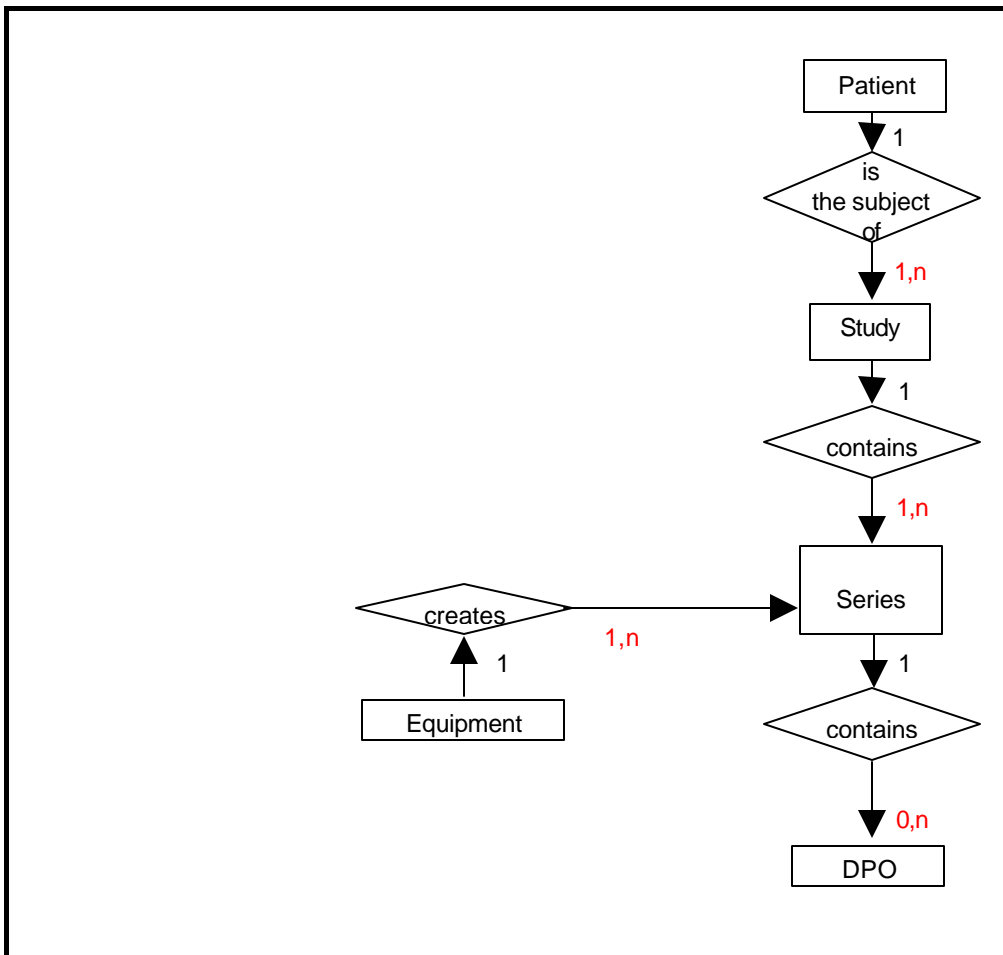
### 8.2 SC ENTITY-RELATIONSHIP MODEL

The Entity-Relationship diagram for the DPO interoperability schema is shown in **Illustration 8.2.1**. In this figure, the following diagrammatic convention is established to represent the information organization:

- each entity is represented by a rectangular box
- each relationship is represented by a diamond shaped box.
- the fact that a relationship exists between two entities is depicted by lines connecting the corresponding entity boxes to the relationship boxes.

The relationships are fully defined with the maximum number of possible entities in the relationship shown. In other words, the relationship between Series and Image can have up to **n** Images per Series, but the Patient to Study relationship has 1 Study for each Patient (a Patient can have more than one Study on the system, however each Study will contain all of the information pertaining to that Patient).

ILLUSTRATION 8.2-1  
DPO ENTITY RELATIONSHIP DIAGRAM



### 8.2.1 ENTITY DESCRIPTIONS

Please refer to DICOM Standard Part 3 (Information Object Definitions) for a description of each of the entities contained within the DPO Information Object.



**8.2.2 Advantage Workstation 4.0 Mapping of DICOM entities**

**TABLE 8.2-1  
 MAPPING OF DICOM ENTITIES TO ADVANTAGE WORKSTATION 4.0 ENTITIES**

DICOM	Advantage Workstation 4.0 Entity
Patient	Patient
Study	Exam
Series	Series
Image	Image

**8.3 DPO-IOD MODULE TABLE**

Within an entity of the DICOM v3.0 SC IOD, attributes are grouped into related set of attributes. A set of related attributes is termed a module. A module facilitates the understanding of the semantics concerning the attributes and how the attributes are related with each other. A module grouping does not infer any encoding of information into datasets.

Table 8.3.1 identifies the defined modules within the entities which comprise the DICOM v3.0 SC IOD. Modules are identified by Module Name.

See DICOM v3.0 Part 3 for a complete definition of the entities, modules, and attributes.

**TABLE 8.3-1  
 DPO IOD MODULES**

Entity Name	Module Name	Reference
Patient	Patient	7.4.1.1
Study	General Study	7.4.1.2
	Patient Study	7.4.2.2
Series	General Series	7.4.3.1
Equipment	General Equipment	7.4.4.1
	SC Equipment	
Image	General Image	7.4.5.1
	Image Pixel	7.4.5.2
	DPO	
	Overlay Plane	
	Modality LUT	7.4.7.2
	VOI LUT	7.4.7.1
	SOP Common	7.4.8.1

**8.4 DPO-INFORMATION MODULE DEFINITIONS**

Please refer to DICOM v3.0 Standard Part 3 (Information Object Definitions) for a description of each of the entities and modules contained within the SC Information Object.

The following modules are included to convey Enumerated Values, Defined Terms, and Optional Attributes supported. Type 1 & Type 2 Attributes are also included for completeness and to define what values they may take and where these values are obtained from. It should be noted that they are the same ones as defined in the DICOM v3.0 Standard Part 3 (Information Object Definitions).

**8.4.1 Common Patient Entity Modules**

**8.4.1.1 Patient Module**

This section specifies the Attributes of the Patient that describe and identify the Patient who is the subject of a diagnostic Study. This Module contains Attributes of the patient that are needed for diagnostic interpretation of the Image and are common for all studies performed on the patient.

**TABLE 8.4-1  
PATIENT MODULE ATTRIBUTES**

Attribute Name	Tag	Type	Attribute Description
Patient's Name	(0010,0010)	2	Original if Screen Save image. Original if patients are not mixed in Scrapbook image. User defined if patients are mixed in Scrapbook image.
Patient ID	(0010,0020)	2	Original if Screen Save image. Original if patients are not mixed in Scrapbook image. function of pid and time if patients are mixed in Scrapbook image
Patient's Birth Date	(0010,0030)	2	Original if Screen Save image. Original if patients are not mixed in Scrapbook image. Empty if patients are mixed in Scrapbook image.
Patient's Sex	(0010,0040)	2	Original if Screen Save image. Original if patients are not mixed in Scrapbook image. Empty if patients are mixed in Scrapbook image.

**8.4.2 Common Study Entity Modules**

The following Study IE Modules are common to all Composite Image IODs which reference the Study IE. These Module contain Attributes of the patient and study that are needed for diagnostic interpretation of the image.

**8.4.2.1 General Study Module**

This section specifies the Attributes, which describe and identify the Study performed upon the Patient.

**TABLE 8.4-2**  
**GENERAL STUDY MODULE ATTRIBUTES**

<b>Attribute Name</b>	<b>Tag</b>	<b>Type</b>	<b>Notes</b>
Study Instance UID	(0020,000D)	1	Same as original (Empty if does not exist ) for Screen Save image Scrapbook generated name for MID and teaching file.
Study Date	(0008,0020)	2	Same as original (Empty if does not exist ) for Screen Save image Scrapbook generated name for MID and teaching file.
Study Time	(0008,0030)	2	Same as original (Empty if does not exist ) for Screen Save image Scrapbook generated name for MID and teaching file.
Referring Physician's Name	(0008,0090)	2	Same as original (Empty if does not exist ) for Screen Save image Scrapbook generated name for MID and teaching file.
Study ID	(0020,0010)	2	Same as original (Empty if does not exist ) for Screen Save image Scrapbook generated name for MID and teaching file.
Accession Number	(0008,0050)	2	Same as original (Empty if does not exist ) for Screen Save image Scrapbook generated value for MID and teaching file
Study Description	(0008,1030)	3	Same as original (Empty if does not exist ) for Screen Save image Scrapbook generated value for MID and teaching file

#### 8.4.2.2 Patient Study Module

Not used

#### 8.4.3 Common Series Entity Modules

The following Series IE Modules are common to all Composite Image IODs which reference the Series IE.

##### 8.4.3.1 General Series Module

This section specifies the Attributes which identify and describe general information about the Series within a Study.

TABLE 8.4-3  
GENERAL SERIES MODULE ATTRIBUTES

Attribute Name	Tag	Type	Attribute Description
Modality	(0008,0060)	1	Original if Screen Save Image. OT (Other) if Scrapbook Image.
Series Instance UID	(0020,000E)	1	Generated
Series Number	(0020,0011)	2	Generated
Series Description	(0008,103E)	3	SCRAPBOOK ARS3_0 if Scrapbook Image. Screen Save if Screen Save Image.

#### 8.4.4 Common Equipment Entity Modules

The following Equipment IE Module is common to all Composite Image IODs which reference the Equipment IE.

##### 8.4.4.1 General Equipment Module

This section specifies the attributes, which identify and describe the piece of equipment, which produced a Series of Images.

**TABLE 8.4-4**  
**GENERAL EQUIPMENT MODULE ATTRIBUTES**

<b>Attribute Name</b>	<b>Tag</b>	<b>Type</b>	<b>Attribute Description</b>
Manufacturer	(0008,0070)	2	Derived from original image Derived from original image if all MID images contain same value, otherwise empty value.
Station Name	(0008,1010)	3	Derived from original image Derived from original image if all MID images contain same value, otherwise empty value.
Manufacturer's Model Name	(0008,1090)	3	Derived from original image Derived from original image if all MID images contain same value, otherwise empty value.
Software Versions	(0018,1020)	3	Derived from original image Derived from original image if all MID images contain same value, otherwise empty value.

**8.4.4.1.1 General Equipment Attribute Descriptions**

**8.4.4.1.1.1 Pixel Padding Value**

Not used

**8.4.5 Common Image Entity Modules**

The following Image IE Modules are common to all Composite Image IODs which reference the Image IE.

**8.4.5.1 General Image Module**

Not used.

**8.4.6 General Modules**

The SOP Common Module is mandatory for all DICOM IODs.

**8.4.6.1 SOP Common Module**

This section defines the Attributes, which are required for proper functioning and identification of the associated SOP Instances. They do not specify any semantics about the Real-World Object represented by the IOD.

**TABLE 8.4-5**  
**SOP COMMON MODULE ATTRIBUTES**

Attribute Name	Tag	Type	Attribute Description
SOP Class UID	(0008,0016)	1	1.2.840.113619.4.25
SOP Instance UID	(0008,0018)	1	Generated from GE Based UID; <station configuration> and timestamp.
Specific Character Set	(0008,0005)	1C	ISO_IR 100 character set is always used).

**8.5 PRIVATE DATA DICTIONARY**

This section describes the private attributes of this IOD.

**TABLE 8.5-1**  
**PRIVATE CREATOR IDENTIFICATION: GEMS\_AWSOFT\_CD1**

Attribute Name	Tag	Type	VR	VM	Attribute Description
Private Element Creator	(0039,0050)	1	LO	1	Identification String. Set to GEMS_AWSOFT_CD1
Reference to Study UID	(0039,5065)	1	UI	1	Reference of the original Study UID if applicable
Reference to Series UID	(0039,5070)	1	UI	1	Reference of the original Series UID if applicable
Reference to Original Instance Number	(0039,5075)	1	IS	1	Reference of the original Instance Number if applicable
DPO Number	(0039,5080)	1	IS	1	Number of the DPO
DPO Number	(0020,0013)	1	IS	1	Number of the DPO
DPO Date	(0039,5085)	1	DA	1	Creation date of the DPO
DPO Time	(0039,5090)	1	TM	1	Creation time of the DPO
DPO Invocation String	(0039,5095)	2	LO	1	Invocation String of the DPO
DPO type	(0039,50AA )	1	CS	1	Type of the DPO
DPO data	(0039,50FF )	1C	OB	1	Data of the DPO