



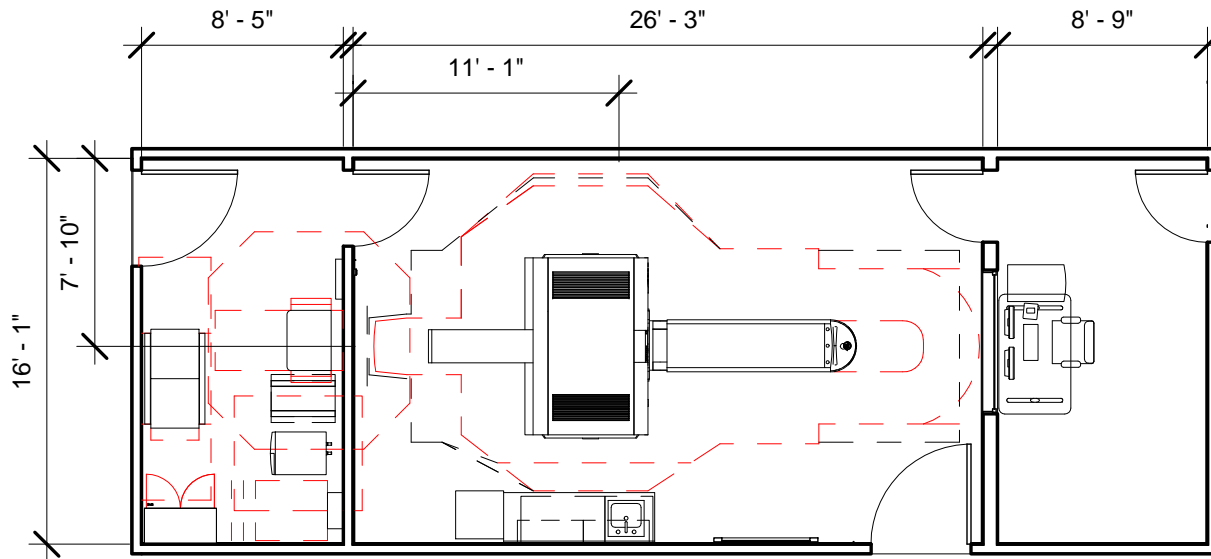
**GE Healthcare  
Project Management**

GE Healthcare has made reasonable efforts to ensure this BIM file conforms to requirements of the applicable pre-installation manual. This BIM file was produced to assist with site planning and is not intended for construction or final building modeling. GE Healthcare is not responsible for any damages resulting from use of such file for construction or final building modeling purposes. Compliance with all applicable local, state, and federal laws and regulations is the responsibility of the customer or its designated architects and engineers. Please keep in mind the information in this BIM file is dynamic and is subject to change without notice. It is the responsibility of the customer or its designated architect(s) and engineer(s) to ensure they have the latest equipment or product information.

**DISCOVERY MI - RENDERING**

<b>Project number</b>	<b>12-32</b>
<b>Date</b>	<b>28.FEB.17</b>
<b>Drawn by</b>	<b>Genpact</b>
<b>Checked by</b>	<b>-</b>

**A-1**



### Specialty Equipment Schedule

Description	Weight lbs	BTU
DISCOVERY MI	9929	23890
PATIENT TABLE (WITHOUT PATIENT)	1803	1023
WORKSPACE CABINET		0
CONSOLE CABINET	158	0
STORAGE CABINET	99	0
UPS	619	5122
POWER DISTRIBUTION UNIT	800	3399
MAIN DISCONNECT CONTROL	90	0
PARC4	674	7897
CHILLER	319	20232
POWER DISTRIBUTION BOX	88	0



**GE Healthcare**  
Project Management

GE Healthcare has made reasonable efforts to ensure this BIM file conforms to requirements of the applicable pre-installation manual. This BIM file was produced to assist with site planning and is not intended for construction or final building modeling. GE Healthcare is not responsible for any damages resulting from use of such file for construction or final building modeling purposes. Compliance with all applicable local, state, and federal laws and regulations is the responsibility of the customer or its designated architects and engineers. Please keep in mind the information in this BIM file is dynamic and is subject to change without notice. It is the responsibility of the customer or its designated architect(s) and engineer(s) to ensure they have the latest equipment or product information.

### DISCOVERY MI - PLAN

Project number	12-32
Date	28.FEB.17
Drawn by	Genpact
Checked by	-

**A-2**

Scale 1/8" = 1'-0"

Hold the Left Click for Rotating around  
Use the Scroll for Zooming in and out  
Hold Left click + Ctrl Key to change perspective



Discovery MI



GE Healthcare

Click for Site Planning Support