



REV	DATE	MODIFICATIONS
01 - C1 - Cover Sheet		
02 - A2 - Equipment Layout		
03 - S2 - Structural Layout		
04 - S3 - Structural Details (1)		
05 - E2 - Electrical Layout		
06 - E3 - Electrical Elevations		

A mandatory component of this drawing set is the GE HealthCare Pre Installation manual. Failure to reference the Pre Installation manual will result in incomplete documentation required for site design and preparation.
 Pre Installation documents for GE HealthCare products can be accessed on the web at: <https://www.gehealthcare.com/support/manuals>

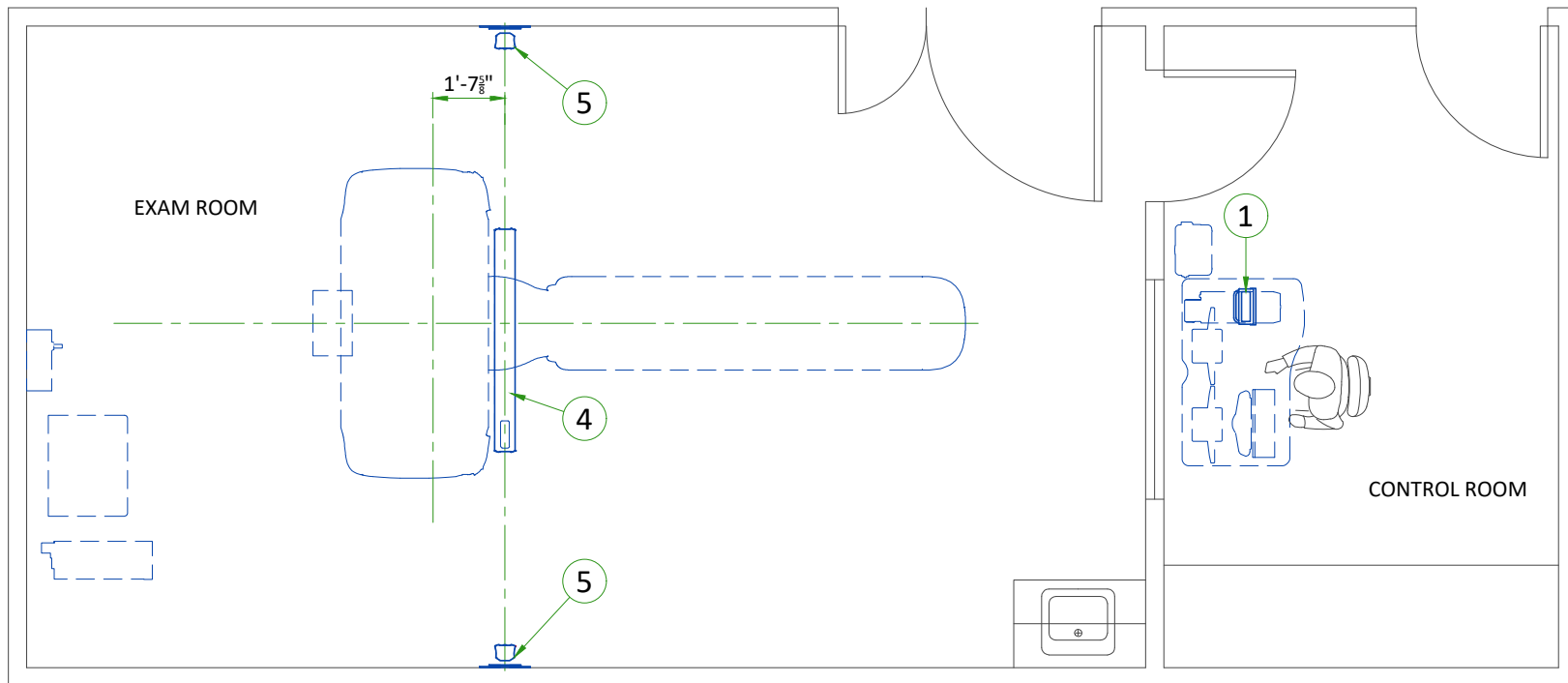
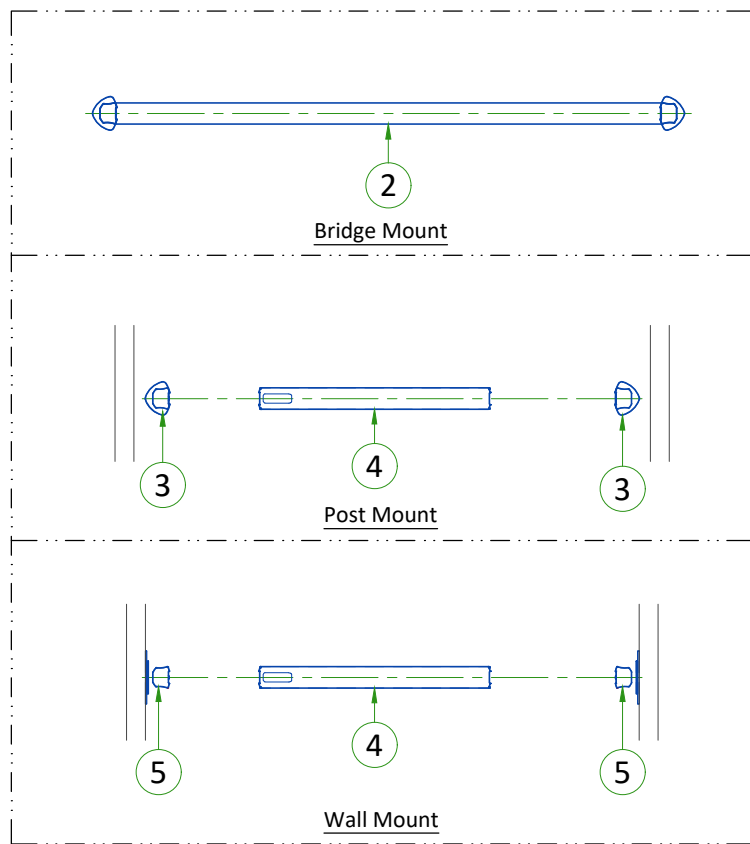
GE HealthCare does not take responsibility for any damages resulting from changes on drawings made by others. Errors may occur by not referring to the complete set of final issue drawings. GE HealthCare cannot accept responsibility for any damage due to the partial use of GE HealthCare final issue drawings, however caused. All dimensions are in millimeters unless otherwise specified. Do not scale from printed pdf files. GE HealthCare accepts no responsibility or liability for defective work due to scaling from these drawings.

Typical



**LAP DORADONOVA 3 LASERS
FINAL STUDY**

Drawn by	Verified by	Concession	GON/Quote	PIM Manual	Rev
RET	CRM	-	-	-	-
Format	Scale	File Name		Date	Sheet
A3	1/4"=1'-0"	EN-CT-TYP-LAP_LASERS-WEB.DWG		08/Jun/2023	01/19



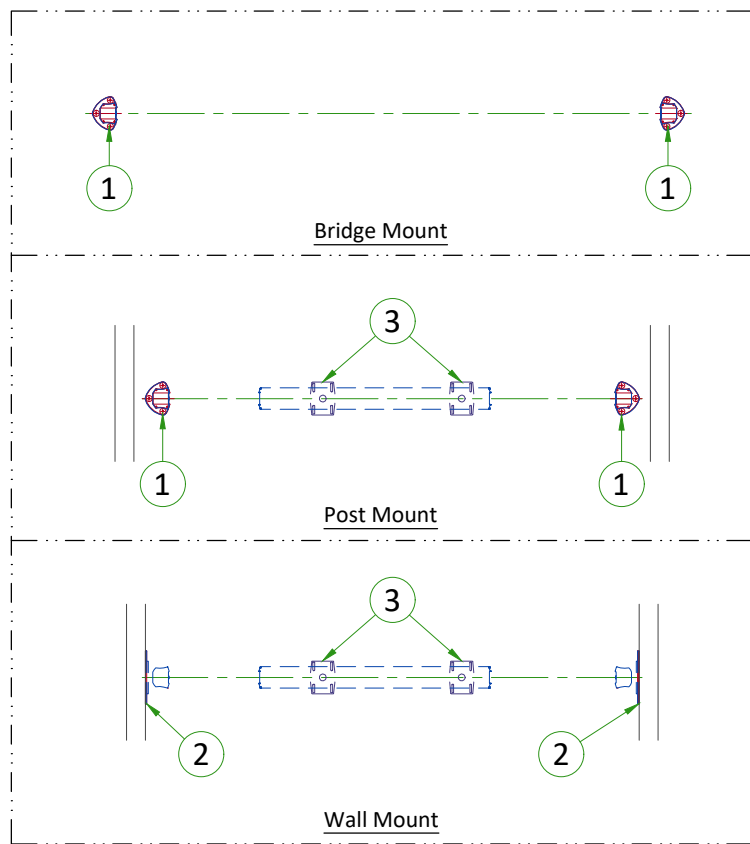
LEGEND

A	GE SUPPLIED	D	AVAILABLE FROM GE
B	GE SUPPLIED/CONTRACTOR INSTALLED	E	EQUIPMENT EXISTING IN ROOM
C	CUSTOMER/CONTRACTOR SUPPLIED AND INSTALLED	*	ITEM TO BE REINSTALLED FROM ANOTHER SITE

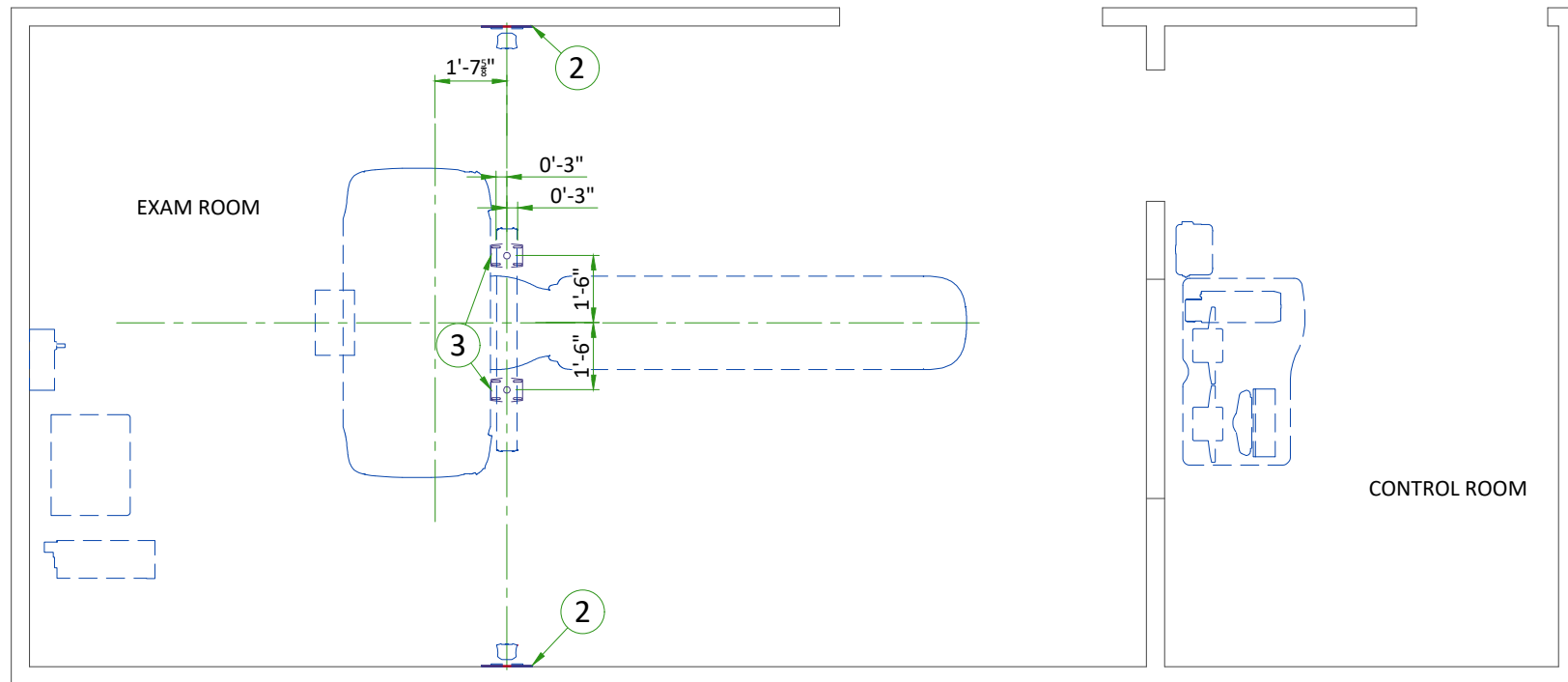
BY	ITEM	DESCRIPTION	MAX HEAT OUTPUT (BTU/h)	WEIGHT (lbs)	MAX HEAT OUTPUT (W)	WEIGHT (kg)
A	1	TABLET PC FOR LASER	-	2	-	1
A	2	LASER SYSTEM (BRIDGE)	-	-	-	-
A	3	LASER SYSTEM (POST)	-	-	-	-
A	4	LASER SYSTEM (CEILING)	-	-	-	-
A	4	LASER SYSTEM (WALL)	-	-	-	-

EXAM ROOM HEIGHT

Finished ceiling height	REC. 9'-0"
-------------------------	------------

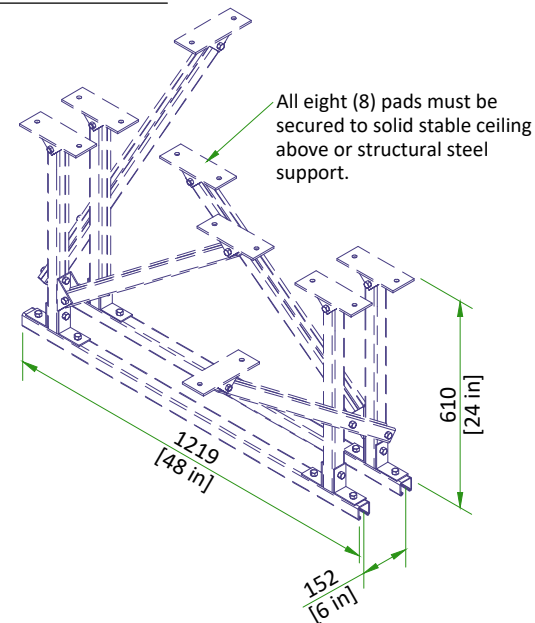


ITEM	DESCRIPTION
(CONTRACTOR SUPPLIED & INSTALLED)	
1	Support backing for wall mounted laser. See Structural Detail
2	Floor mounted laser light. See Structural Detail.
3	Ceiling mounted laser light. See Structural Detail.



MOUNTING DETAILS FOR CEILING/WALL LASERS

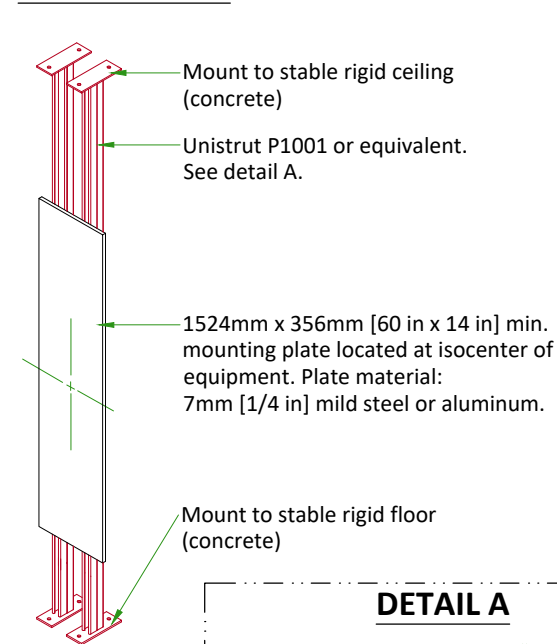
CEILING MOUNT



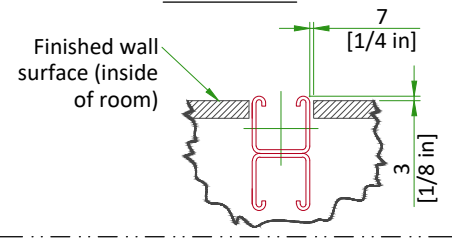
Notes – unless otherwise specified:

1. Typical ceiling laser support for DORADO 1, DORADO 3 and DORADOnova 3
2. This example not recommend for concrete ceiling to false ceiling distance of more than 914 [36 in] (anti-sway support will be needed)
3. Asymmetric DORADOnova ceiling laser housing has to be considered for preinstallation preparations. Dimensions of suspended ceiling opening must be adopted in advance.

WALL MOUNT



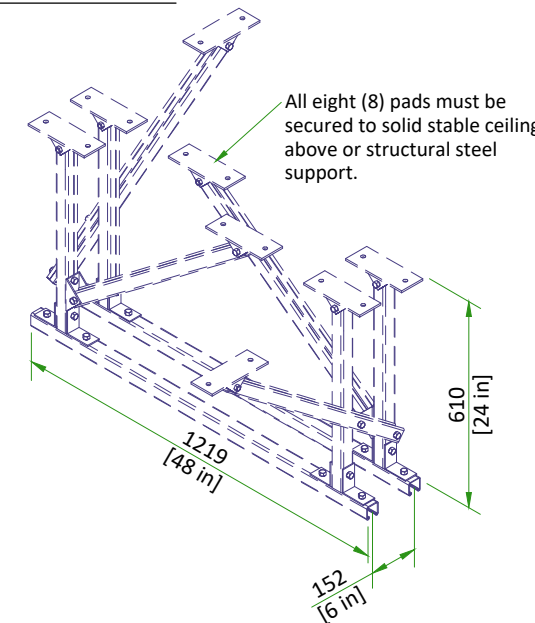
DETAIL A



NOT TO SCALE

MOUNTING DETAILS FOR CEILING/FLOOR LASERS

CEILING MOUNT

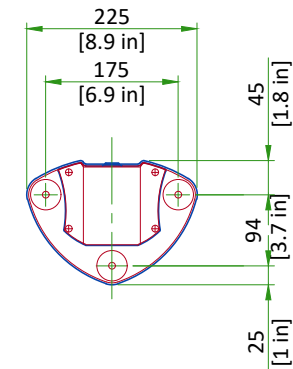


Notes – unless otherwise specified:

1. Typical ceiling laser support for DORADO 1, DORADO 3 and DORADOnova 3
2. This example not recommend for concrete ceiling to false ceiling distance of more than 914 [36 in] (anti-sway support will be needed)
3. Asymmetric DORADOnova ceiling laser housing has to be considered for preinstallation preparations. Dimensions of suspended ceiling opening must be adopted in advance.

NOT TO SCALE

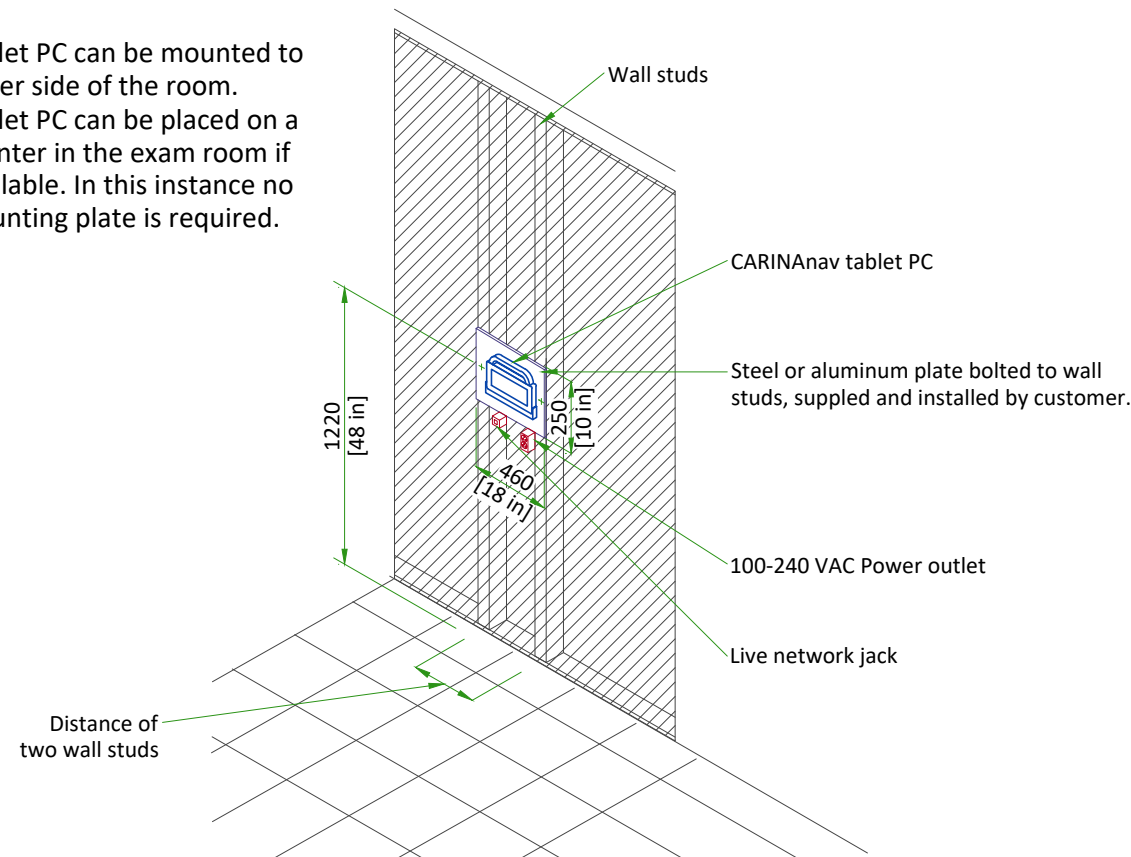
FLOOR MOUNT



LASER CONTROL TABLET (WALL MOUNT)

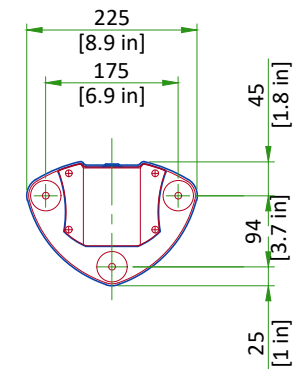
Notes:

- 1) Tablet PC can be mounted to either side of the room.
- 2) Tablet PC can be placed on a counter in the exam room if available. In this instance no mounting plate is required.



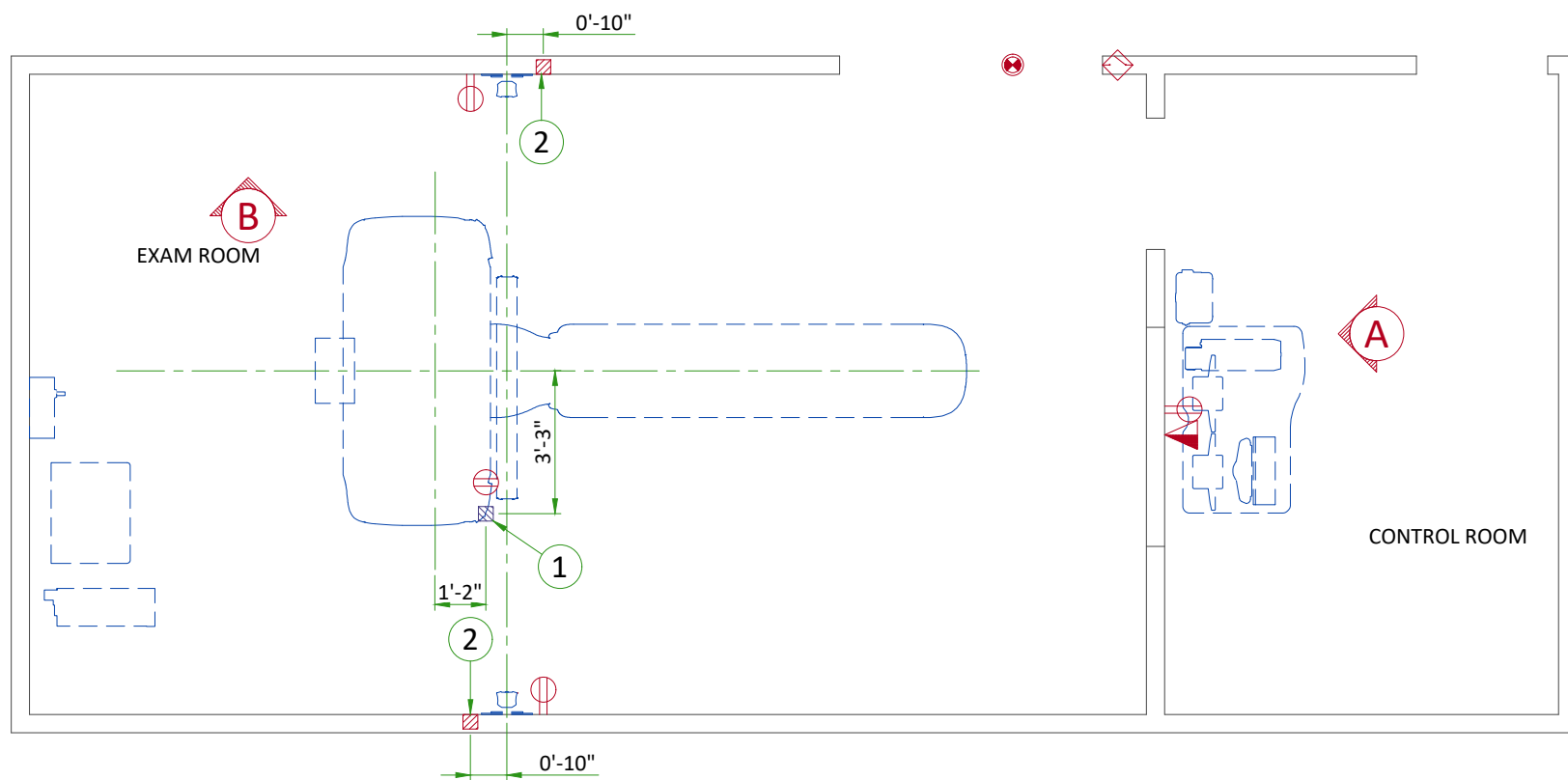
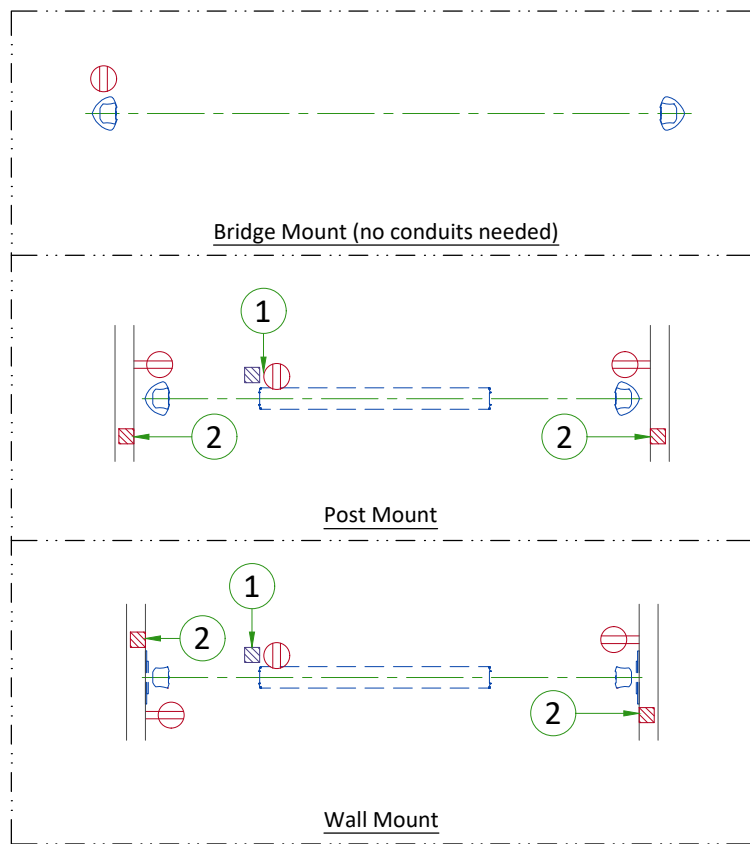
MOUNTING DETAILS FOR BRIDGE LASER SYSTEM

FLOOR MOUNT



Final position/design defined by customer before installation. Bridge order form provided by GE PMI.

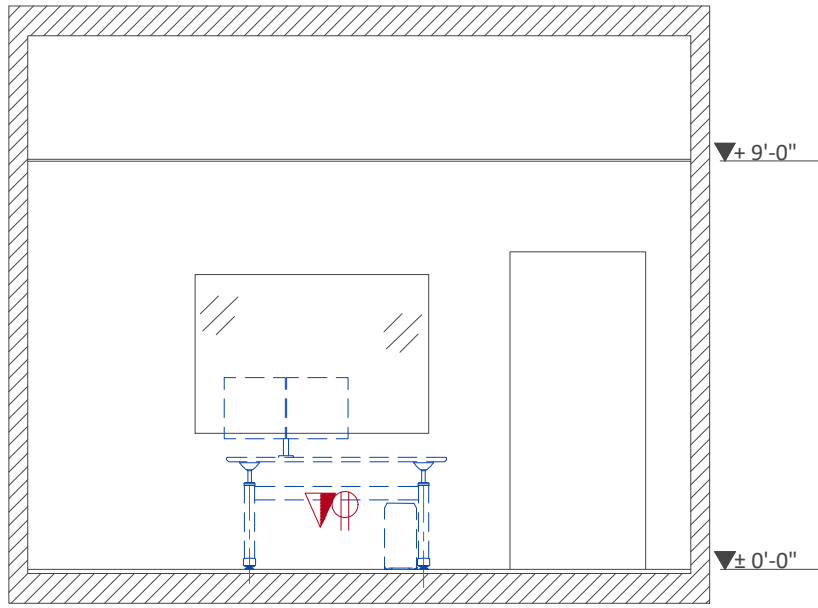
NOT TO SCALE



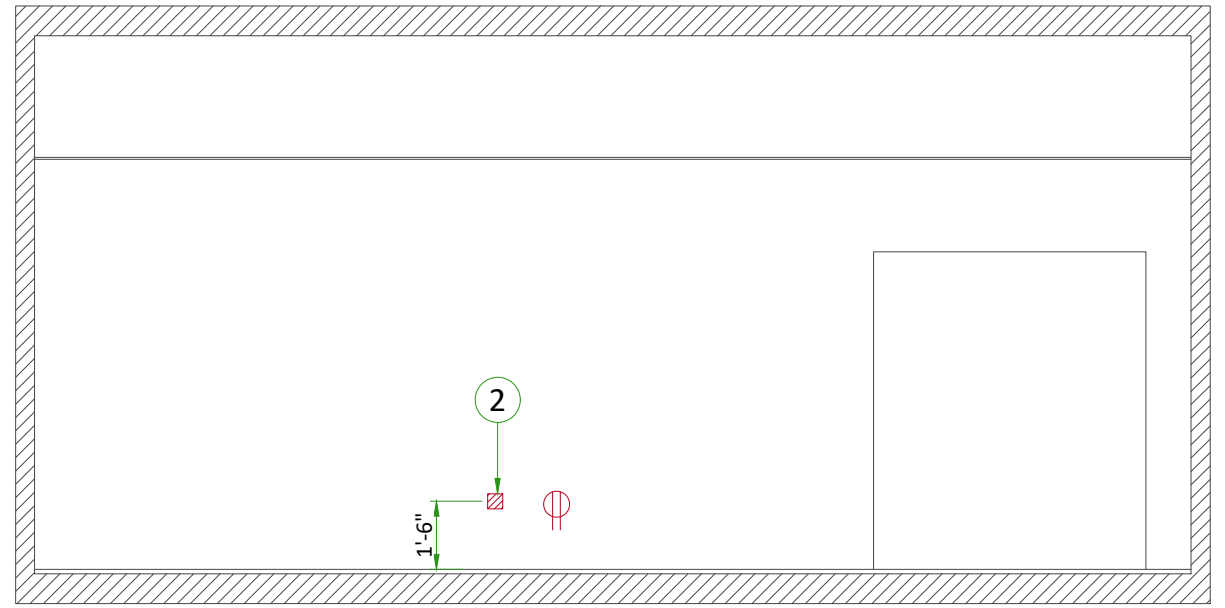
ITEM	DESCRIPTION
1	4" x 4" x 4" [100 x 100 x 100] box above ceiling (Positioning Laser Light)
2	4" x 4" x 4" [100 x 100 x 100] box (Positioning Laser Light)

ITEM	QTY	Outlet Legend for GE Equipment
⊕		Duplex hospital grade, dedicated ceiling outlet 120-v, single phase power
▲		Network outlet
⊕		Duplex hospital grade, dedicated wall outlet 120-v, single phase power

Additional Conduit Runs (Contractor Supplied and Installed)				
From (Bubble # / Item)	To (Bubble # / Item)	Qty	Size	
			In.	mm
1 Positioning Laser Light	2 Positioning Laser Light	1	1	25
		1	1	25



A



B