



REV	DATE	MODIFICATIONS
0		

- 01 - Cover Sheet
- 02 - Equipment Layout
- 03 - HVAC - Delivery - Equipment Details
- 04 - Electrical Details
- 05 - Disclaimer - Site Readiness

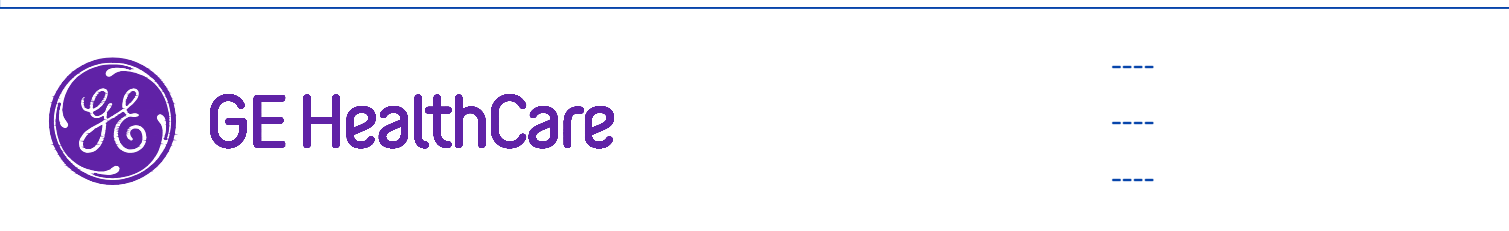
A mandatory component of this drawing set is the GE HealthCare Pre Installation manual. Failure to reference the Pre Installation manual will result in incomplete documentation required for site design and preparation.  
 Pre Installation documents for GE HealthCare products can be accessed on the web at: <https://www.gehealthcare.com/support/manuals>

GE HealthCare does not take responsibility for any damages resulting from changes on drawings made by others. Errors may occur by not referring to the complete set of final issue drawings. GE HealthCare cannot accept responsibility for any damage due to the partial use of GE HealthCare final issue drawings, however caused. All dimensions are in millimeters unless otherwise specified. Do not scale from printed pdf files. GE HealthCare accepts no responsibility or liability for defective work due to scaling from these drawings.

**TYPICAL**

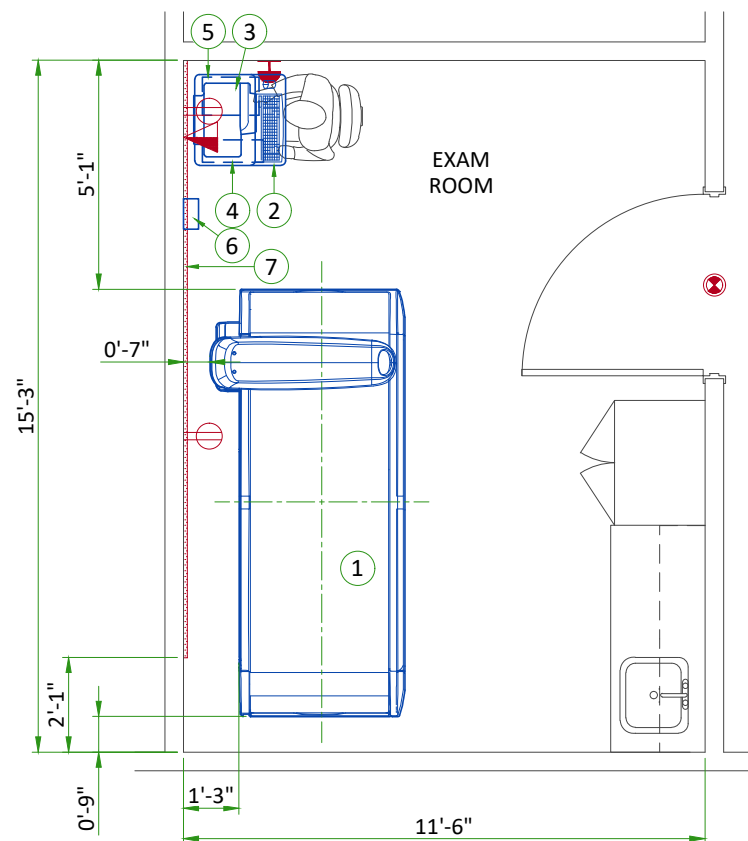
----

----



## LUNAR iDXA FINAL STUDY

Drawn by	Verified by	Concession	GON/Quote	PIM Manual	Rev
RET	RET	-	----	LU46003EN	2
Format	Scale	File Name		Date	Sheet
A3	1/4"=1'-0"	EN-BMD-TYP-LUNAR_IDXA-US.DWG		09/Jan/2025	01/02



**LEGEND**

A	GE SUPPLIED	D	AVAILABLE FROM GE
B	GE SUPPLIED/CONTRACTOR INSTALLED	E	EQUIPMENT EXISTING IN ROOM
C	CUSTOMER/CONTRACTOR SUPPLIED AND INSTALLED	*	ITEM TO BE REINSTALLED FROM ANOTHER SITE

BY	ITEM	DESCRIPTION	MAX HEAT OUTPUT (BTU/h)	WEIGHT (lbs)	MAX HEAT OUTPUT (W)	WEIGHT (kg)
1	A	SCANNER TABLE	1800	794	527.5	360
2	A	CONTROL STATION ON CART	200	28	-	12.7
3	A	PRINTER	-	-	-	-
4	A	UPS	-	34	-	15.4
5	A	SMALL ROOM KIT	-	25	-	11.34
6	A	EXTERNAL OPTIONS BOX	-	-	-	-
7	C	1"x1" WIREMOLD ABOVE BASE MOLDING	-	-	-	-

ITEM	QTY	OUTLET LEGEND FOR GE EQUIPMENT
⊕		DUPLEX HOSPITAL GRADE, DEDICATED WALL OUTLET 120V, SINGLE PHASE POWER
⚡		NETWORK OUTLET
⚠		SYSTEM EMERGENCY OFF (ESTOP), (RECOMMENDED HEIGHT 1.2 m [48 in] ABOVE FLOOR) - IF REQUIRED PER LOCAL CODE
⊗		X-RAY ON LAMP - 24V - IF REQUIRED PER LOCAL CODE

**EXAM ROOM HEIGHT**

FINISHED FLOOR TO SLAB HEIGHT	-
FALSE CEILING HEIGHT	min. 6'-11"

## TEMPERATURE AND HUMIDITY SPECIFICATIONS

### IN-USE CONDITIONS

Environmental conditions must ensure patient and operator comfort and must be maintained within the range below:

Temperature	Min	Recommended	Max
	18°C (64°F)	22°C (72°F)	27°C (81°F)
Temperature gradient	≤ 1.5°C/h (≤ 2.7°F/h)		
Relative humidity (1)	20% to 80%		
Humidity gradient	≤ 10%/h		

System heat dissipation	Stand by	Max
	103 W (350 BTU/hr)	586 W (2000 BTU/hr)

### STORAGE CONDITIONS

Temperature	-30°C to +65°C (-22°F to +149°F)
Relative humidity (1)	0 to 95%
Air pressure	500 hPa to 1060 hPa

(1) Non-condensing

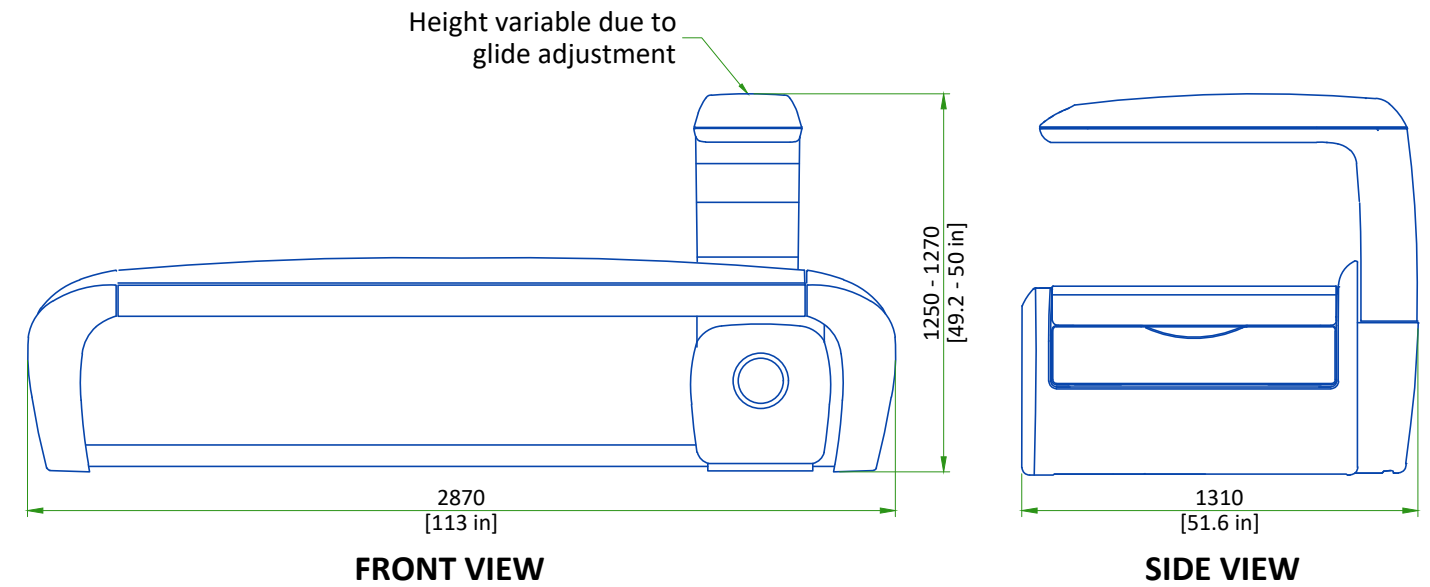
### AIR RENEWAL

According to local standards.

#### NOTE

In case of using air conditioning systems that have a risk of water leakage it is recommended not to install it above electric equipment or to take measures to protect the equipment from dropping water.

## TABLE FRONT AND SIDE VIEWS



SCALE 1:25

## DELIVERY

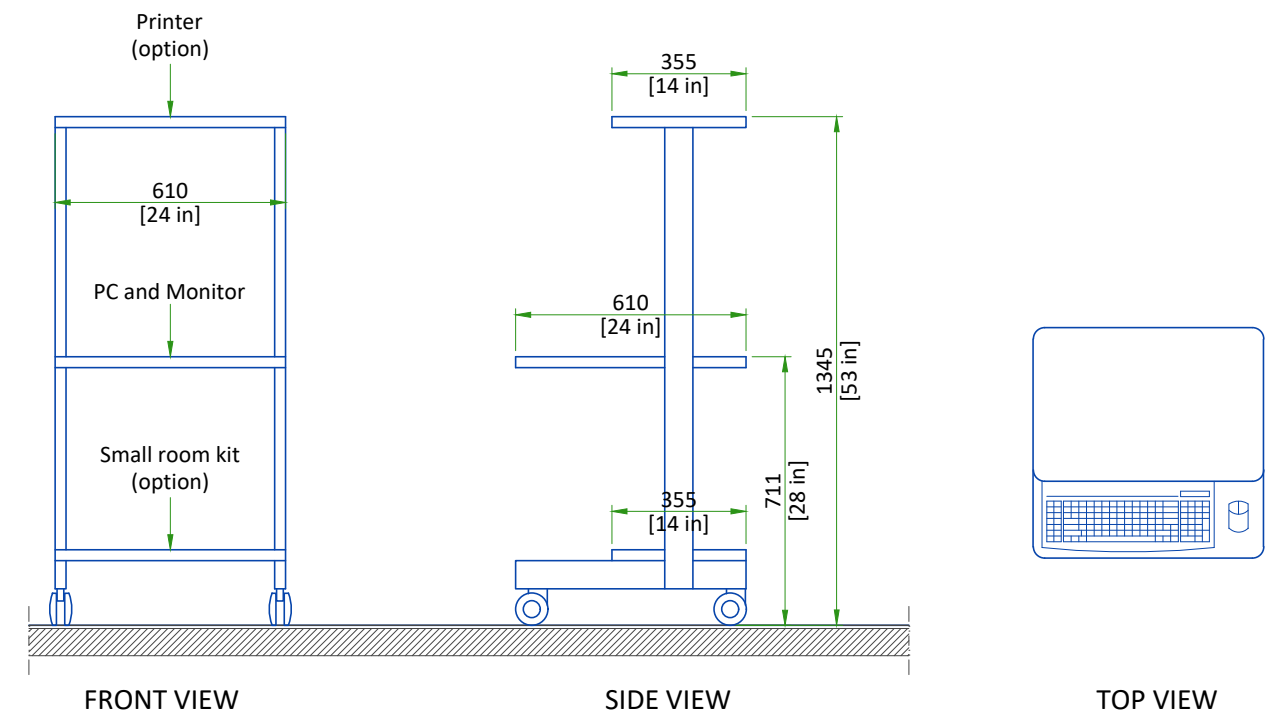
### THE CUSTOMER/CONTRACTOR SHOULD:

- Provide an area adjacent to the installation site for delivery and unloading of the GE equipment.
- Ensure that the dimensions of all doors, corridors, ceiling heights are sufficient to accommodate the movement of GE equipment from the delivery area into the definitive installation room.
- Ensure that access routes for equipment will accommodate the weights of the equipment and any transportation, lifting and rigging equipment.
- Ensure that all necessary arrangements for stopping and unloading on public or private property not belonging to the customer have been made.

### DIMENSIONS OF DELIVERY

EQUIPMENT	DIMENSIONS		WEIGHT
SCANNER TABLE	LENGTH	2870 mm (113.0 in)	360 kg (794 lb)
	WIDTH	1310 mm (51.6 in)	
	HEIGHT	1250 mm (49.2 in)	

## CONTROL STATION ON CART



## POWER REQUIREMENTS

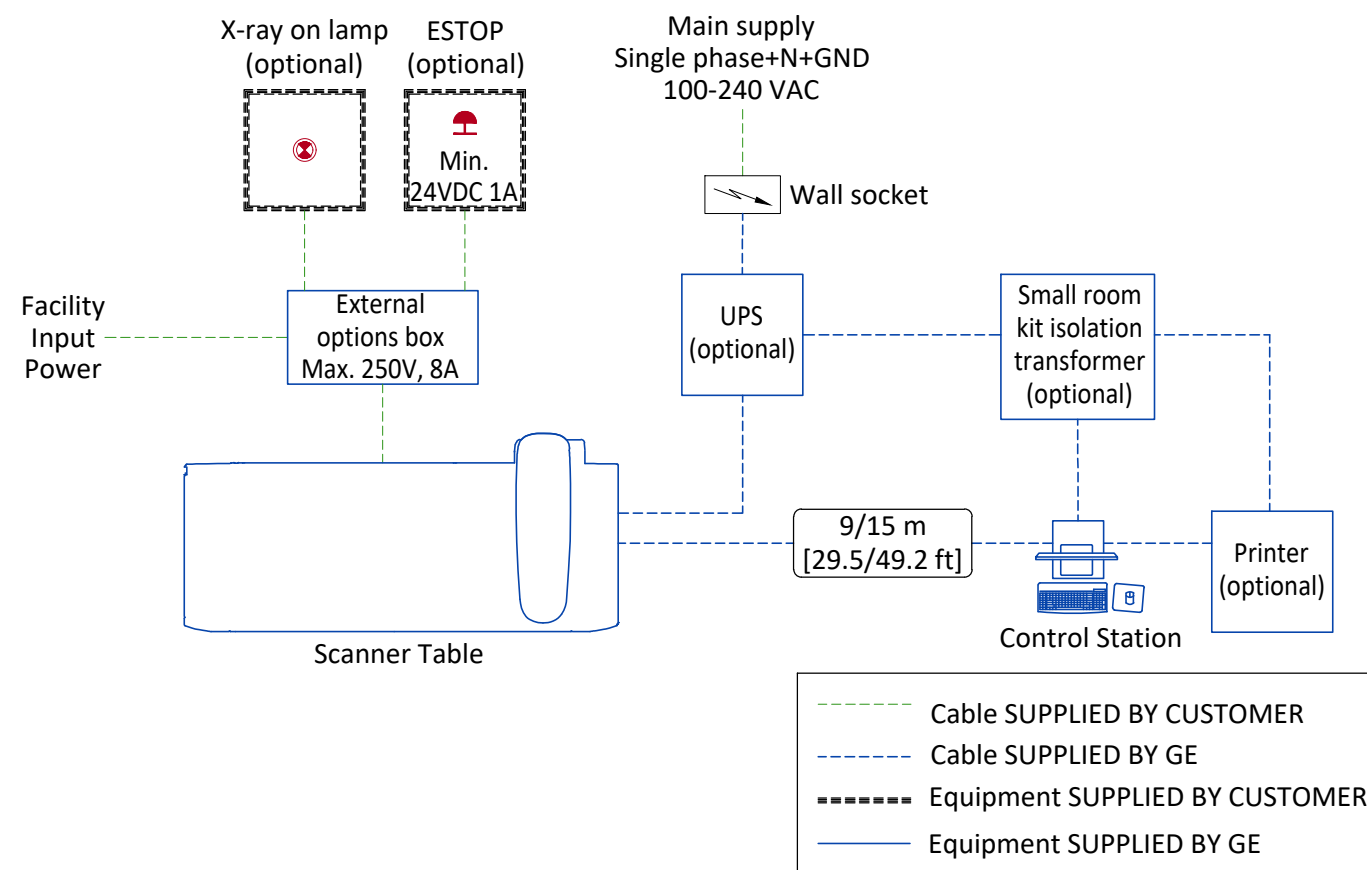
### POWER SUPPLY

POWER SUPPLY	<b>1 PHASE+N+G 100-127 or 200-240 VAC ± 10%</b>
FREQUENCIES	<b>50/60 Hz ± 3 Hz</b>
POWER CONSUMPTION DURING PATIENT SCAN	<b>635 W</b>
POWER CONSUMPTION WHEN IDLE	<b>40 W</b>

### SUPPLY CHARACTERISTICS

- Power input must be separate from any others which may generate transients (elevators, air conditioning, radiology rooms equipped with high speed film changers...).
- All equipment (lighting, power outlets, etc...) installed with GE system components must be powered separately.
- Maximum voltage variation at 750 VA = 5% (Including line impedance.)
- Transient must be less than 1 kV peak

## INTERCONNECTIONS



## DISCLAIMER

### GENERAL SPECIFICATIONS

- GE is not responsible for the installation of developers and associated equipment, lighting, cassette trays and protective screens or derivatives not mentioned in the order.
- The final study contains recommendations for the location of GE equipment and associated devices, electrical wiring and room arrangements. When preparing the study, every effort has been made to consider every aspect of the actual equipment expected to be installed.
- The layout of the equipment offered by GE, the dimensions given for the premises, the details provided for the pre-installation work and electrical power supply are given according to the information noted during on-site study and the wishes expressed by the customer.
- The room dimensions used to create the equipment layout may originate from a previous layout and may not be accurate as they may not have been verified on site. GE cannot take any responsibility for errors due to lack of information.
- Dimensions apply to finished surfaces of the room.
- Actual configuration may differ from options presented in some typical views or tables.
- If this set of final drawings has been approved by the customer, any subsequent modification of the site must be subject to further investigation by GE about the feasibility of installing the equipment. Any reservations must be noted.
- The equipment layout indicates the placement and interconnection of the indicated equipment components. There may be local requirements that could impact the placement of these components. It remains the customer's responsibility to ensure that the site and final equipment placement complies with all applicable local requirements.
- All work required to install GE equipment must be carried out in compliance with the building regulations and the safety standards of legal force in the country concerned.
- These drawings are not to be used for actual construction purposes. The company cannot take responsibility for any damage resulting therefrom.

### CUSTOMER RESPONSIBILITIES

- It is the responsibility of the customer to prepare the site in accordance with the specifications stated in the final study. A detailed site readiness checklist is provided by GE. It is the responsibility of the customer to ensure all requirements are fulfilled and that the site conforms to all specifications defined in the checklist and final study. The GE Project Manager of Installation (PMI) will work in cooperation with the customer to follow up and ensure that actions in the checklist are complete, and if necessary, will aid in the rescheduling of the delivery and installation date.
- Prior to installation, a structural engineer of record must ensure that the floor and ceiling is designed in such a way that the loads of the installed system can be securely borne and transferred. The layout of additional structural elements, dimensioning and the selection of appropriate installation methods are the sole responsibility of the structural engineer. Execution of load bearing structures supporting equipment on the ceiling, floor or walls are the customer's responsibility.

### RADIO-PROTECTION

- Suitable radiological protection must be determined by a qualified radiological physicist in conformation with local regulations. GE does not take responsibility for the specification or provision of radio-protection.

<b>THE UNDERSIGNED, HEREBY CERTIFIES THAT I HAVE READ AND APPROVED THE PLANS IN THIS DOCUMENT.</b>		
<b>DATE</b>	<b>NAME</b>	<b>SIGNATURE</b>

## CUSTOMER SITE READINESS REQUIREMENTS

### REQUIRED MANUALS FOR SYSTEM PRE-INSTALLATION

Description	Document Number*
Product specific Pre-installation Manual	Refer to cover page
*documents can be accessed in multiple languages at <a href="https://www.gehealthcare.com/support/manuals">https://www.gehealthcare.com/support/manuals</a>	

- A mandatory component of this drawing set is the GE HealthCare Pre-installation manual. Failure to reference the Pre-installation manual will result in incomplete documentation required for site design and preparation.
- The items on the GE HealthCare Site Readiness Checklists listed below are REQUIRED to facilitate equipment delivery to the site. Equipment will not be delivered if these requirements are not satisfied.

### REQUIRED SITE-READINESS CHECKLISTS FOR SYSTEM PRE-INSTALLATION

Modality	Document Number*
Computerized Tomography	DOC2949059
Radiology, Radiology and Fluoroscopy, Mammography, Bone Mass Densitometry	DOC2949063
All modality Customer/Contractor Worksheet	DOC2949068
*documents can be accessed in multiple languages at <a href="https://www.gehealthcare.com/support/manuals">https://www.gehealthcare.com/support/manuals</a>	

- Any deviation from these drawings must be communicated in writing to and reviewed by your local GE HealthCare installation project manager prior to making changes.
- Make arrangements for any rigging, special handling, or facility modifications that must be made to deliver the equipment to the installation site. If desired, your local GE HealthCare installation project manager can supply a reference list of rigging contractors.
- New construction requires the following;
  1. Secure area for equipment,
  2. Power for drills and other test equipment,
  3. Restrooms.
- Provide for refuse removal and disposal (e.g. crates, cartons, packing)
- For CT systems it is required to minimize vibrations within the scan room. It is the customer's responsibility to contract a vibration consultant/engineer to implement site design modifications to meet the GE vibration specification. Refer to the system Pre-installation manual for vibration specifications.