

Drawing Index

These sheets are a document set and should not be separated. Electrical information and references are contained on all sheets.

SITE READINESS	C1
EQUIPMENT LAYOUT (Equipment locations, heat loads, component weights, environmental specs)	A1
STRUCTURAL LAYOUT (Structural support/mounting locations for floor/wall/ceiling, wall support elevations)	S1
STRUCTURAL DETAILS (Floor and Ceiling loading information)	S2
ELECTRICAL LAYOUT (Contractor supplied wiring, interconnect methods, junction point locations and descriptions)	E1
ELECTRICAL SPECIFICATIONS (Maximum wiring run lengths, interconnect diagram, system power specifications)	E2
ELECTRICAL DETAILS	E3
EQUIPMENT DETAILS	D1

These drawings indicate the placement and interconnection of the listed equipment components. These drawings are not construction or site preparation drawings. Customer remains ultimately responsible for preparing the site to accommodate the operation of such equipment in compliance with GE Healthcare's written specifications and all applicable federal, state, and/or local requirements.

* REQUIRED REFERENCE *

Senographe Essential
Pre Installation Manual
5160036-12-8EN

A mandatory component of this drawing set is the GE Healthcare Pre Installation manual. Failure to reference the Pre Installation manual will result in incomplete documentation required for site design and preparation.

Pre Installation documents for GE Healthcare products can be accessed on the web at:

www.gehealthcare.com/siteplanning

GE Healthcare



Women's Health Site Planning



imagination at work

Customer Site Readiness Requirements

- Any deviation from these drawings must be communicated in writing to and reviewed by your local GE Healthcare Installation Project Manager prior to making changes.
- Make arrangements for any rigging, special handling, or facility modifications that must be made to deliver the equipment to the installation site. If desired, your local GE Healthcare Installation Project Manager can supply a reference list of rigging contractors.
- New construction requires the following; 1. Secure area for equipment, 2. Power for drills and other test equipment, 3. Capability for image analysis, 4. Restrooms.
- Provide for refuse removal and disposal (e.g. crates, cartons, packing)
- Contact a radiation physicist or consultant to specify radiation containment requirements.

GE Equipment Delivery Requirements

The items on the GE Healthcare Site Readiness Checklist are REQUIRED to facilitate equipment delivery to the IS site. Equipment will not be delivered if these requirements are not satisfied.

GE Healthcare Site Readiness Checklist Rev 21					
Before using this document ensure you have the latest Rev from MyWorkshop on DGC0422752					
GEHC Global Order # : _____		Customer: _____			
GEHC PMI Name: _____		FE / DOS Name: _____			
The customer is responsible for proper site preparation regardless of any GEHC measurements/inspections/assessments					
Inspection Date: _____					
GEHC Minimum Requirements	Staging is ready?	PHI is item ready?	FE is item ready?	Comments	
1 MR Magnet Delivery Requirements: Ensure cryogen venting system is available for magnet connection as defined by GEHC Pre-Installation Manual (PHI) requirements, exhaust fan system is installed and operational, 480V power, and chilled water supply is available.				If "N", enter comments or action plan	
2 MR RF Screen Room Requirements: RF Screen Room is tested with copy of Test Report that it is compliant with GEHC specifications. Dock Bolt and magnet anchors (if applicable) installed using 2 part anchor. For HDx systems, blower box mount bolts installed.					
State Regulatory Requirements: Facility registration number provided for states of IL, KY, HI, RI, SC, TX, 3 X-ray shielding plan and state acknowledgment letter provided to installer for AR, DC, NC, SC, CO, S.W.A. Site Drawing Requirements: Final version 0					
4 Surface Penetration Requirements: Customer/Contractor scheduled to provide required drilling or cutting into floors, ceilings, and walls; OR surface penetration permit available and posted in the room when GEHC will perform the work.					
5 Pre-Delivery Route Requirements: The equipment delivery route from the truck to the final destination within the facility has been reviewed with all key stakeholders to safely meet the minimum requirements for equipment access, and all communications/rate					
6 Finished Room Requirements: Rooms that will contain equipment, including storage areas not in scan suite, are dust free. Provisions taken to maintain a dust free room. Precautions must be taken to prevent dust from entering rooms containing equipment wh					
7 Electrical Requirements: Lockable (LOTO) Main Disconnect Panel (MDP) is installed per GE guidelines and system power is available. Conduits, electrical cable ducting/dividers/cable trays, and access flooring is installed in proper location and height. 5					
8 Power and Ground Audit: Workflow created					
9 HVAC Requirements: The HVAC/Chilled Water systems designed to maintain the environment per spec/PHI is at running state and appears to provide the desired environmental conditions including location of vents, temperature and humidity for system operation.					
10 Flooring Requirements: Floor is clean and prepared for final floor covering. Floor levelness/flatness is measured and within tolerance, and there are no visible defects per GEHC specifications. Confirm customer anchoring plan aligns with designed floor					
11 Ceiling Requirements: Unistrut (or equivalent) location, levelness and spacing is measured (or vendor confirmed) and consistent with the requirement of the installation drawings. Ensure unistrut and rails are not used as mounting surfaces. Ceiling grid					
12 Staging Requirements: Space has been identified to support the active installation process only. This area meets PHM/project book requirements. Storage space has been identified, if needed. This secured space would be used to store equipment indefinitely					
13 Network Connectivity: Hardwire for network connectivity(network drop) is in place prior to delivery with specified network firewall configuration where required. Site Surveys for wireless mobile XR units have been completed.					
14 Insite Readiness: Confirmation of VPN tunnel requested.					
15 Medical Gases Requirements: Systems (hard piped or portable) in place to allow testing and calibration of equipment (anesthetic, including ventilation.					

GE Healthcare
Healthcare Project Implementation - Design Center
Milwaukee, Wisconsin
Copyright © 2009 General Electric Company - Proprietary to GE

SHEET TITLE: **SITE READINESS**
MODALITY TYPE: **SENOGRAPHE ESSENTIAL**
THIS PLAN IS SUBMITTED TO SURVEY LOCATION OF HEALTHCARE EQUIPMENT AND ASSOCIATED APPARATUS, ELECTRICAL WIRING DETAILS AND ROOM ARRANGEMENTS. IN PREPARING THIS PLAN, EVERY EFFORT HAS BEEN MADE TO CONFORM DETAILS TO THE LATEST REVISED SPECIFICATIONS AND THE COMPANY CANNOT ACCEPT ANY LIABILITY FOR ANY DAMAGES RESULTING THEREFROM.

PROJECT TITLE:
9-32f
TYPICAL FINAL
US DESIGN CENTER

PROJECT	REVISION
9-32f	03
DATE:	06.Oct.16
DRAWN BY:	MKL
CHECKED BY:	CPC

REVISION HISTORY:

SHEET
C1

PIM R1
RQ - 161762

GE EQUIPMENT LISTING

EQUIPMENT ON ORDER FROM GE HEALTHCARE, INSTALLED BY GE HEALTHCARE, PER : NEITHER A QUOTE OR GON WAS ISSUED AT THE DATE OF THESE DRAWINGS

NOTE: LOCAL CONDITIONS MAY DICTATE THAT ITEMS IDENTIFIED IN THIS CATEGORY BE INSTALLED BY OTHERS.

ITEM NO.	QUANTITY ORDERED	REFER TO SHEET "D"	ITEM DESCRIPTION (* = EXISTING/REINSTALL)	WEIGHT	HEAT OUTPUT (PER HOUR)	DETAIL NO.	STRC PLAN	ELEC PLAN	EQUIPMENT CROSS REFERENCE CHART	
									P = PREAPPROVAL	C = CALCULATIONS/PENDING APPROVAL
SEISMIC STATUS										
S = SPECIFICATIONS ONLY										
1	1		SENOGRAPHE ESSENTIAL GANTRY (BTU'S INCLUDE CONTROL CONSOLE)	921 lbs	341 btu	B7124		GT	S	
2	1		SENOGRAPHE ESSENTIAL GENERATOR	396 lbs	3061 btu	B7119		XG	C	
3	1		SENOGRAPHE ESSENTIAL CONTROL STATION	478 lbs		B7126		OC	C	
--- OPTIONAL ---										
4	1		WIRELESS ROUTER							
5	1		TABLET PC	2 lbs						
6	2		SENSORY SUITE 32" MONITOR, MINI PC	22 lbs	375 btu	M5015H				
7	1		SCENT DIFFUSER	4 lbs						
8	1		SENOGRAPHE ACCESSORY RADIATION SHIELD SCREEN	81 lbs		B7105A			S	
9	1		PEDESTAL ACCESSORY STAND							
10	1		WALL MOUNT ACCESSORY STAND							
11	1		SENSORY SUITE 46" MONITOR, MINI PC	28 lbs	409 btu	M5015H				
12	1		MAMMOGRAPHY AND BIOPSY CHAIR	160 lbs		B7123				
13	1		REVIEW WORKSTATION	134 lbs	2590 btu	M1011AW			C	
14	1		MAMMO ACCESSORIES STORAGE CABINET	48 lbs		-E6315T				
15	1		DBI IMAGING TABLE MODEL 7407	315 lbs						
16	1		AGFA DRYSTAR AXYS IMAGER	198 lbs	238 btu 1805 btu					
17	1		CAD OPTION	33 lbs	955 btu	B7120			C	

THE FOLLOWING ITEMS, WHICH HAVE BEEN ORDERED FROM GE HEALTHCARE, ARE TO BE INSTALLED BY THE CUSTOMER OR HIS CONTRACTOR.

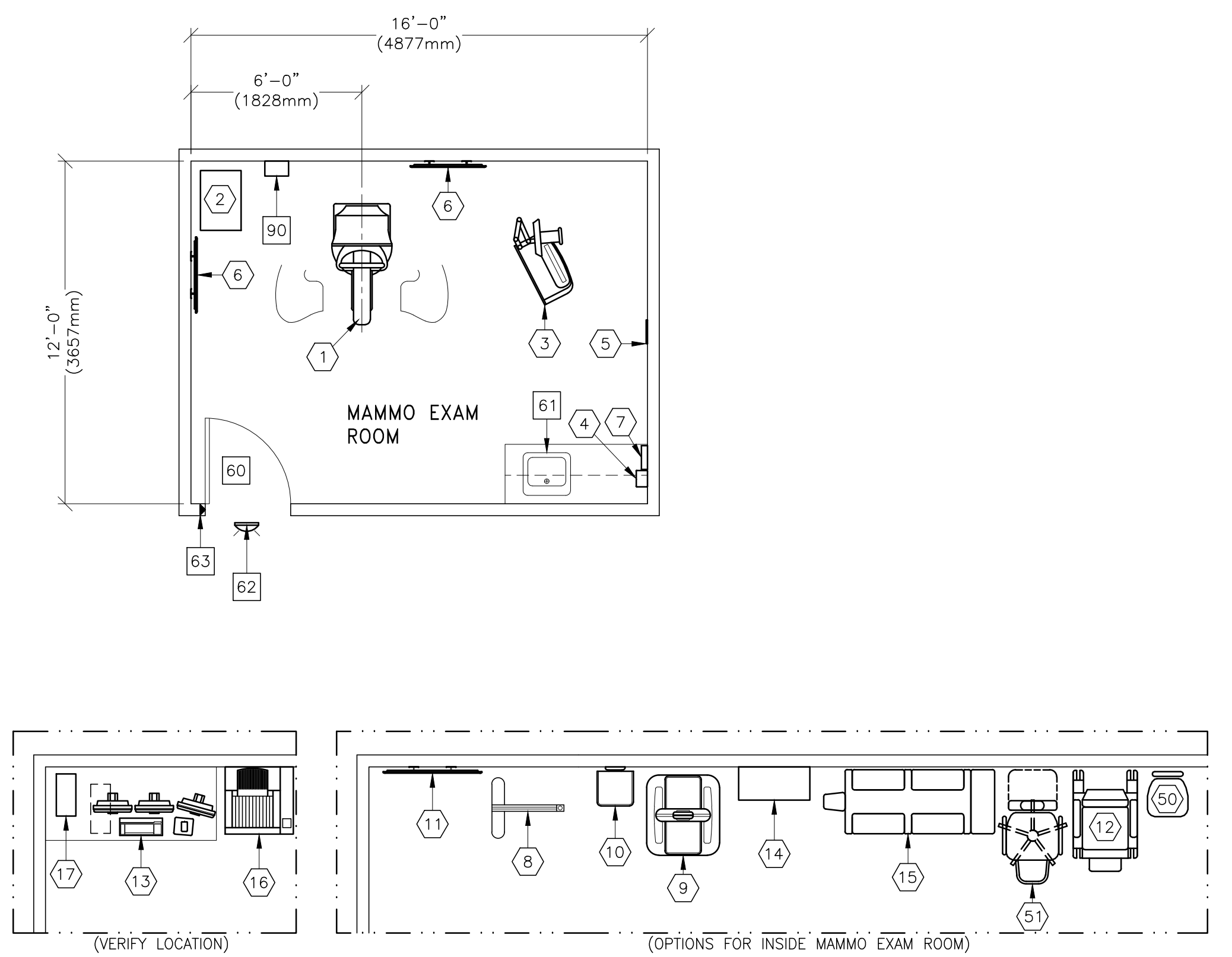
--- OPTIONAL ---										
50	1		HYDRAULIC CHAIR							
51	1		DELUXE RECLINING CHAIR (CAT NO E6315HB)							

SCALE: 1/4" = 1'-0" EQUIPMENT LAYOUT RECOMMENDED CEILING HEIGHT = 8'-6"

This equipment layout indicates the placement and interconnection of the indicated equipment components. There may be federal, state, and/or local requirements that could impact the placement of these components. It remains the Customer's responsibility for ensuring the site and final equipment placement complies with all applicable federal, state, and/or local requirements.

IMPORTANT CUSTOMER READINESS ALERT:

FOR ANALOG SYSTEMS A STABLE FILM PROCESSOR IS REQUIRED, H&D CURVES WITHIN THE MANUFACTURER'S SPECIFICATIONS FOR FILM, PROCESSING AND CHEMICALS.
FOR DIGITAL SYSTEMS A LASERCAMERA IS REQUIRED. WITHOUT THIS, EXTENSIVE, UNWANTED DELAYS WILL OCCUR. PLEASE MAKE EVERY EFFORT TO ENSURE THAT THESE REQUIREMENTS ARE MET BEFORE THE SCHEDULED DELIVERY OF YOUR MAMMOGRAPHY SYSTEM.



ANCILLARY ITEMS

CUSTOMER/CONTRACTOR SUPPLIED AND INSTALLED ITEMS

ITEM NO.	ITEM DESCRIPTION (* INDICATES EXISTING)
60	MINIMUM DOOR OPENING FOR EQUIPMENT DELIVERY IS 27.6 IN. W x 79.93 IN. H (7130mm x 2020mm), CONTINGENT ON A 60 IN. (1524mm) CORRIDOR WIDTH
61	COUNTER TOP WITH SINK, BASE AND WALL CABINETS
62	X-RAY ON WARNING LIGHT - AVAILABLE FROM GE SUPPLY CALL: 800-200-9760 GE CAT. NO. WX1ABW-DF-XIU-24(LED) (NEEDED ONLY IF REQUIRED BY STATE/LOCAL CODES)
63	DOOR LIMIT SWITCH

THE FOLLOWING ITEMS ARE AVAILABLE FROM GE HEALTHCARE TECHNOLOGIES. CONTACT YOUR LOCAL GE HEALTHCARE SERVICE REPRESENTATIVE FOR PRICING AND AVAILABILITY.

90	MAIN DISCONNECT CONTROL, WALL MOUNTED GEMS CAT. NO. E4502B, 65 lbs. SEE DETAIL R4502B.
----	--

GENERAL SPECIFICATIONS

- THE REQUIRED CEILING HEIGHT INDICATED ON THESE PLANS IS TO ENSURE EQUIPMENT FUNCTION IS NOT INHIBITED. CONSULT WITH YOUR LOCAL GEHC SPECIALIST REGARDING ACCEPTABILITY OF OTHER CEILING HEIGHTS.
- CHECK ALL DOOR OPENINGS AND HALLWAYS FROM DELIVERY LOCATION TO WHERE EQUIPMENT IS TO BE INSTALLED TO ENSURE THE ROUTE PHYSICALLY AND STRUCTURALLY WILL ACCOMMODATE THE EQUIPMENT AS SHIPPED.
- RADIATION PROTECTION REQUIREMENTS ARE NOT INDICATED ON THIS PLAN. WHERE NEEDED PER NATIONAL OR LOCAL CODE THEY SHALL BE SPECIFIED BY A QUALIFIED RADIOLOGICAL PHYSICIST.
- THE DEVELOPMENT OF THE EQUIPMENT LAYOUT, ROOM DIMENSIONS, MECHANICAL AND ELECTRICAL SUGGESTIONS IS PREDICATED UPON THE BEST INFORMATION OBTAINABLE FROM THE SITE, COUPLED WITH THE CUSTOMER'S KNOWN DESIRES. ARCHITECTURAL OR ELECTRICAL CHANGES INCLUDING RELOCATION OF EQUIPMENT ILLUSTRATED ON THIS DRAWING IS ALLOWED ONLY WITH NOTIFICATION, IN WRITING, AND REVIEW BY GEHC SERVICE DEPARTMENT. EQUIPMENT OPERATION, SERVICEABILITY, AND RESTRICTING CABLE LENGTHS, ETC., MAKE THIS ESSENTIAL FOR A PROPER IS. GEHC RESERVES THE RIGHT TO MAKE ON THE JOB CHANGES BECAUSE OF CUSTOMER REQUIREMENTS AND/OR OBSTACLES IN CONSTRUCTION, ETC..
- ALL WORK TO BE IN COMPLIANCE WITH NATIONAL AND LOCAL BUILDING SAFETY CODES.
- DIMENSIONS ARE TO FINISHED SURFACES OF ROOM.

SITE ENVIRONMENT SPECIFICATIONS

- AMBIENT OPERATING TEMPERATURE: 59°F (15°C) TO 95°F (35°C)
- HUMIDITY: 10 TO 80 PERCENT NON-CONDENSING
- ALTITUDE: NOT TO EXCEED 9840 FT. ABOVE SEA LEVEL.
- THE ENVIRONMENT FOR THE SENOGAPHE MUST BE CONTROLLED SO THE ABOVE RESTRICTIONS ARE NOT EXCEEDED.

MAGNETIC INTERFERENCE SPECIFICATIONS

- IN ORDER TO AVOID INTERFERENCE ON THE SENOGAPHE SYSTEM, STATIC FIELD LIMITS FROM THE SURROUNDING ENVIRONMENT ARE SPECIFIED.
- STATIC FIELD IS SPECIFIED AS LESS THAN 1 GAUSS IN THE EXAMINATION ROOM (GANTRY ROOM), AND IN THE CONTROL AREA (FOR ALL SUBSYSTEMS).
- STATIC FIELD IS SPECIFIED AS LESS THAN 3 GAUSS IN THE TECHNICAL ROOM.

GE Healthcare
Healthcare Project Implementation - Design Center
Milwaukee, WI

SHEET TITLE: EQUIPMENT LAYOUT
MODALITY TYPE: SENOGAPHE ESSENTIAL

THIS PLAN IS SUBMITTED TO SURVEY LOCATION OF GE HEALTHCARE EQUIPMENT AND ASSOCIATED ELECTRICAL WIRING DETAILS AND ROOM ARRANGEMENTS. IN PREPARING THIS PLAN, EVERY EFFORT HAS BEEN MADE TO CONFORM TO ALL APPLICABLE REGULATIONS AND STANDARDS. GE HEALTHCARE ACCEPTS NO LIABILITY FOR ANY DAMAGES RESULTING THEREFROM.

PROJECT TITLE:
9-32f
TYPICAL FINAL
US DESIGN CENTER

PROJECT	REVISION
9-32f	03

DATE: 06.Oct.16
DRAWN BY: MKL
CHECKED BY: CPC

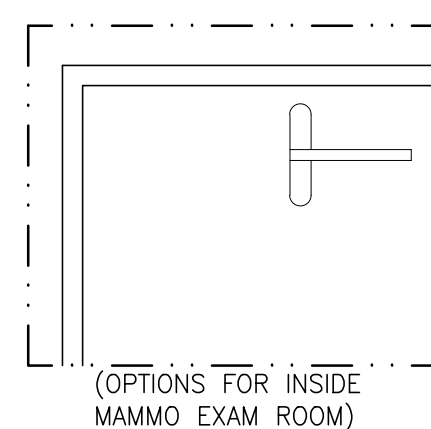
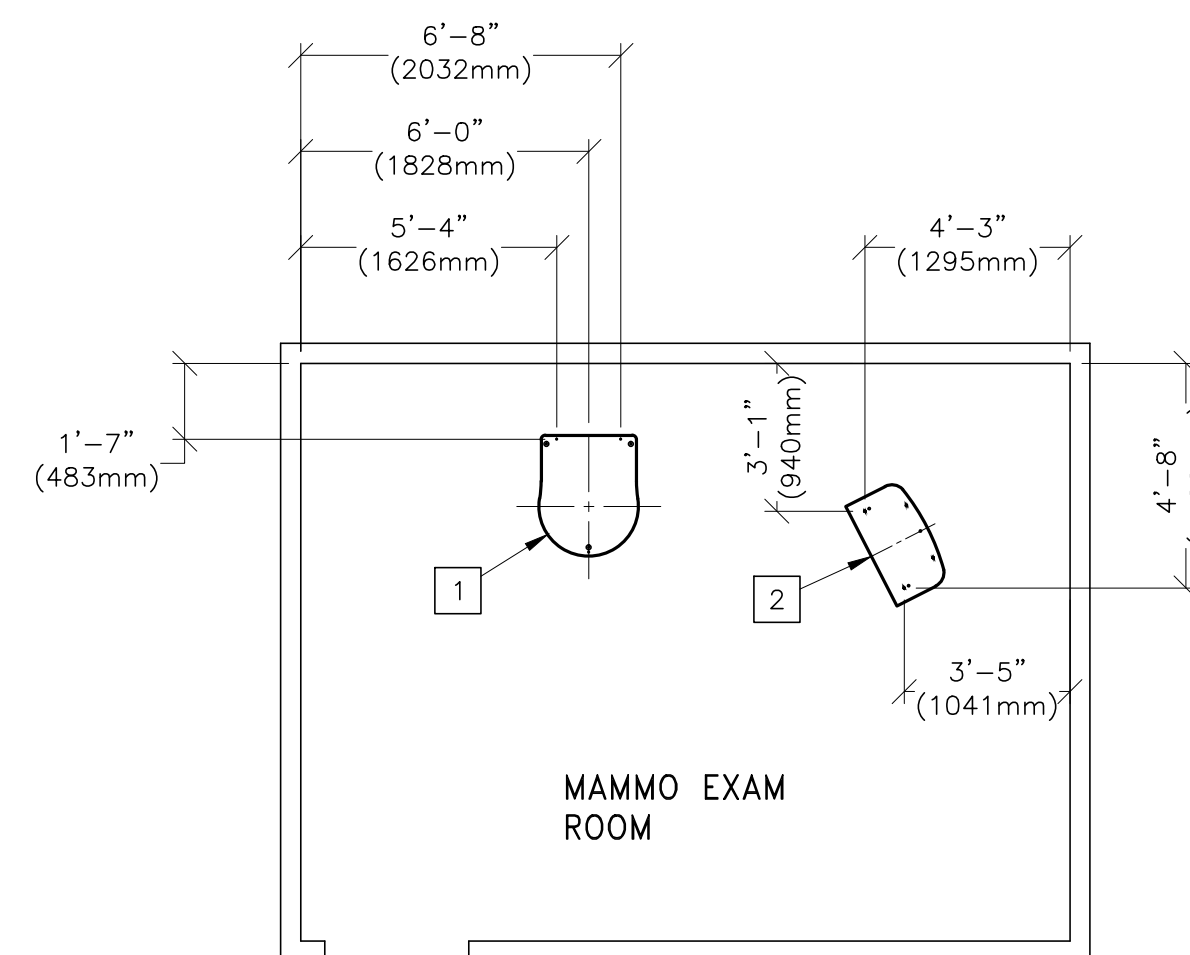
REVISION HISTORY:

SHEET
A1

THE GE HR TECHNICAL SUPPORT GROUP IS AN ADDITIONAL RESOURCE THAT CAN PROVIDE ANSWERS FOR GENERAL GE PRODUCT SITING QUESTIONS AND CAN BE REACHED AT (877)-305-9677 OR MAIL TO: HETech00E@ge.com

CUSTOMER/CONTRACTOR SUPPLIED AND INSTALLED ITEMS

ITEM NO.	ITEM DESCRIPTION (* INDICATES EXISTING)
1	<p>SENOGRAPHE GANTRY BASEPLATE AREA. SEE DETAIL B7124A ON SHEET S2.</p> <p>SENOGRAPHE Seismic Zone ANCHORING HARDWARE (WHERE APPLICABLE)</p> <p>-----</p> <p>< GANTRY > ANCHORS = Hilti KB3 - 3/8 x 3.75 in. (5 ea.) (4 ea.) < GENERATOR > ANCHORS = Hilti KB3 - 3/8 x 3.75 in. (4 ea.) < GENERATOR > BOLTS = 3/8 x 1 in. A307 Bolts (4 ea.) < GENERATOR > BRACKETS = 3 x 5 x 10 in. Angle Bracket (2 ea.) < RAD SHIELD > ANCHORS = Hilti KB3 - 1/4 x 3.25 in. (4 ea.)</p> <p>ALL ANCHORS TO INCLUDE 1 FLATWASHER. ALL BOLTS TO INCLUDE 2 FLATWASHERS, 1 LOCKWASHER AND 1 NUT.</p>
2	<p>SENOGRAPHE CONTROL STATION BASEPLATE AREA. SEE DETAIL B7126A ON SHEET S2.</p>



STRUCTURAL NOTES

- METHODS OF SUPPORT FOR THE STEELWORK THAT WILL PERMIT ATTACHMENT TO STRUCTURAL STEEL OR THROUGH BOLTS IN CONCRETE CONSTRUCTION SHOULD BE FAVORED. DO NOT USE CONCRETE OR MASONRY ANCHORS IN DIRECT TENSION.
- ALL UNITS THAT ARE WALL MOUNTED OR WALL SUPPORTED ARE TO BE PROVIDED WITH SUPPORTS WHERE NECESSARY. WALL SUPPORTS ARE TO BE SUPPLIED AND INSTALLED BY THE CUSTOMER OR HIS CONTRACTORS. SEE PLAN AND DETAIL SHEETS FOR SUGGESTED LOCATIONS AND MOUNTING HOLE LOCATIONS.
- ALL CEILING MOUNTED FIXTURES, AIR VENTS, SPRINKLERS, ETC. TO BE FLUSH MOUNTED, OR SHALL NOT EXTEND MORE THAN 6,35mm (1/4") BELOW THE FINISHED CEILING.
- FLOOR SLABS ON WHICH EQUIPMENT IS TO BE INSTALLED MUST BE LEVEL TO 3,17mm (1/8") IN 3050mm (10'-0")
- DIMENSIONS ARE TO FINISHED SURFACES OF ROOM.
- CUSTOMERS CONTRACTOR MUST PROVIDE ALL PENETRATIONS IN POST TENSION FLOORS.
- CUSTOMERS CONTRACTOR MUST PROVIDE AND INSTALL ANY NON-STANDARD ANCHORING. DOCUMENTS FOR STANDARD ANCHORING METHODS ARE INCLUDED WITH GE EQUIPMENT DRAWINGS FOR GEOGRAPHIC AREAS THAT REQUIRE SUCH DOCUMENTATION.
- CUSTOMERS CONTRACTOR MUST PROVIDE AND INSTALL HARDWARE FOR "THROUGH THE FLOOR" ANCHORING AND/OR ANY BRACING UNDER ACCESS FLOORS. THIS CONTRACTOR MUST ALSO PROVIDE FLOOR DRILLING THAT CANNOT BE COMPLETED BECAUSE OF AN OBSTRUCTION ENCOUNTERED WHILE DRILLING BY THE GE INSTALLER SUCH AS REBAR ETC.
- IT IS THE CUSTOMER'S RESPONSIBILITY TO PERFORM ANY FLOOR OR WALL PENETRATIONS THAT MAY BE REQUIRED. THE CUSTOMER IS ALSO RESPONSIBLE FOR ENSURING THAT NO SUBSURFACE UTILITIES (E.G., ELECTRICAL OR ANY OTHER FORM OF WIRING, CONDUITS, PIPING, DUCT WORK OR STRUCTURAL SUPPORTS (I.E. POST TENSION CABLES OR REBAR)) WILL INTERFERE OR COME IN CONTACT WITH SUBSURFACE PENETRATION OPERATIONS (E.G. DRILLING AND INSTALLATION OF ANCHORS/SCREWS) PERFORMED DURING THE INSTALLATION PROCESS. TO ENSURE WORKER SAFETY, GE INSTALLERS WILL PERFORM SURFACE PENETRATION OPERATIONS ONLY AFTER THE CUSTOMER'S VALIDATION AND COMPLETION OF THE "GE SURFACE PENETRATION PERMIT"

GE Healthcare

Healthcare Project Implementation - Design Center
 Milwaukee, Wisconsin

SHEET TITLE: **STRUCTURAL LAYOUT**
 MODALITY TYPE: **SENOGRAPHE ESSENTIAL**

THIS PLAN IS SUBMITTED TO SURVEY LOCATION OF GE HEALTHCARE EQUIPMENT AND ASSOCIATED APPARATUS, ELECTRICAL WIRING DETAILS AND ROOM ARRANGEMENTS. IN PREPARING THIS PLAN, EVERY EFFORT HAS BEEN MADE TO CONFORM DETAILS TO THE ACTUAL CONSTRUCTION PURPOSES AND THE COMPANY CANNOT ACCEPT RESPONSIBILITY FOR ANY DAMAGES RESULTING THEREFROM.

PROJECT TITLE:
9-32f
TYPICAL FINAL
 US DESIGN CENTER

PROJECT	REVISION
9-32f	03
DATE:	06.Oct.16
DRAWN BY:	MKL
CHECKED BY:	CPC

REVISION HISTORY:

SHEET
S1

THE GE HR TECHNICAL SUPPORT GROUP IS AN ADDITIONAL RESOURCE THAT CAN PROVIDE ANSWERS FOR GENERAL GE PRODUCT SITING QUESTIONS AND CAN BE REACHED AT (877)-305-9677 OR MAILTO:HRTECH001@ge.com

PIM R1 RQ - 161762

FLOOR MOUNTING DETAIL: SENOGRAPHE INSTALLATION METHODS

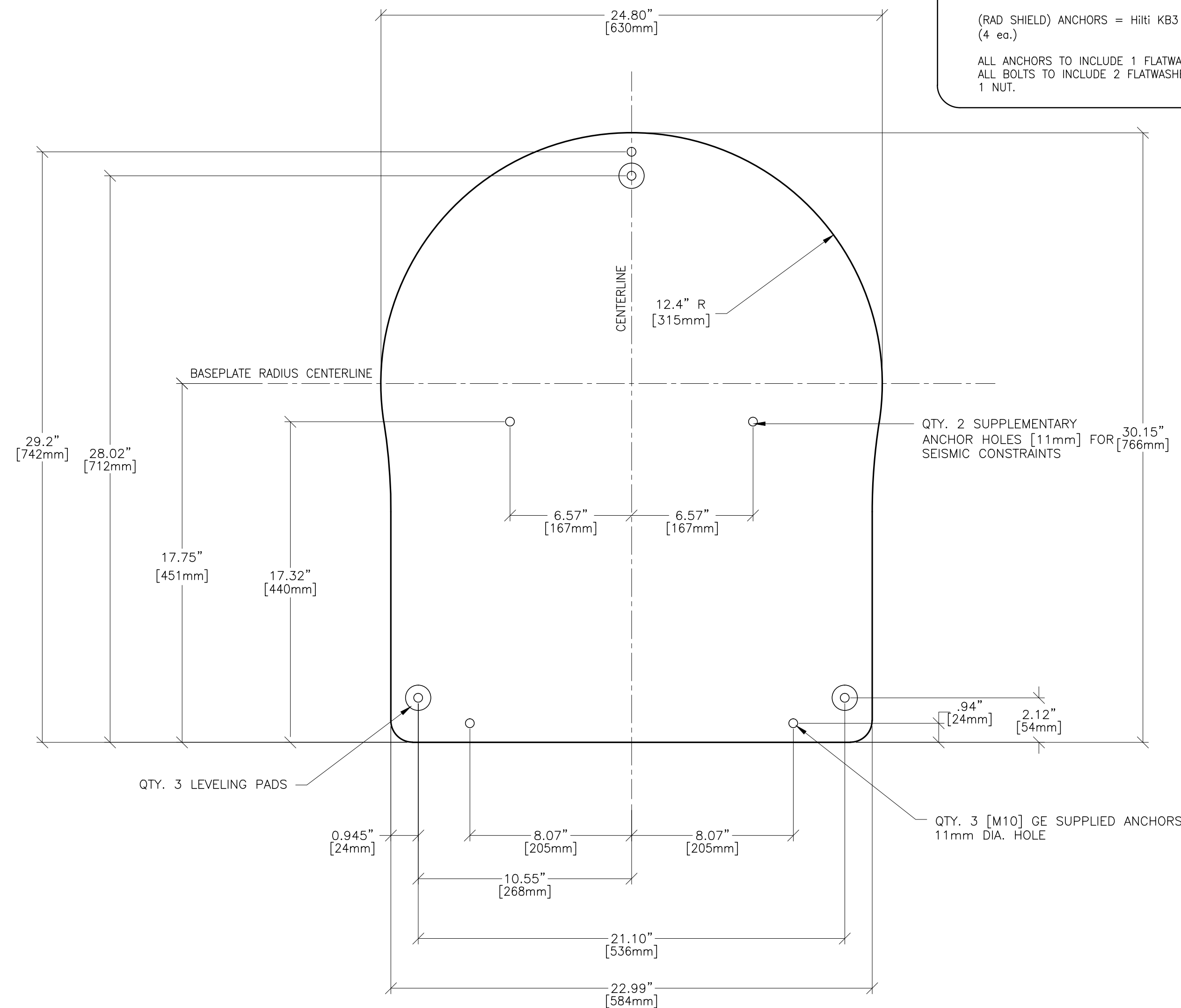
B7124A

REV. DATE: 10-17-07

SENOGRAPHE Seismic Zone ANCHORING HARDWARE

- (GANTRY) ANCHORS = HiTi KB3 - 3/8 x 3.75 in. (5 ea.)
- (GENERATOR) ANCHORS = HiTi KB3 - 3/8 x 3.75 in. (4 ea.)
- (GENERATOR) BOLTS = 3/8 x 1 in. A307 Bolts (4 ea.)
- (GENERATOR) BRACKETS = 3 x 5 x 10 in. Angle Bracket (2 ea.)
- (RAD SHIELD) ANCHORS = HiTi KB3 - 1/4 x 3.25 in. (4 ea.)

ALL ANCHORS TO INCLUDE 1 FLATWASHER.
ALL BOLTS TO INCLUDE 2 FLATWASHERS, 1 LOCKWASHER AND 1 NUT.

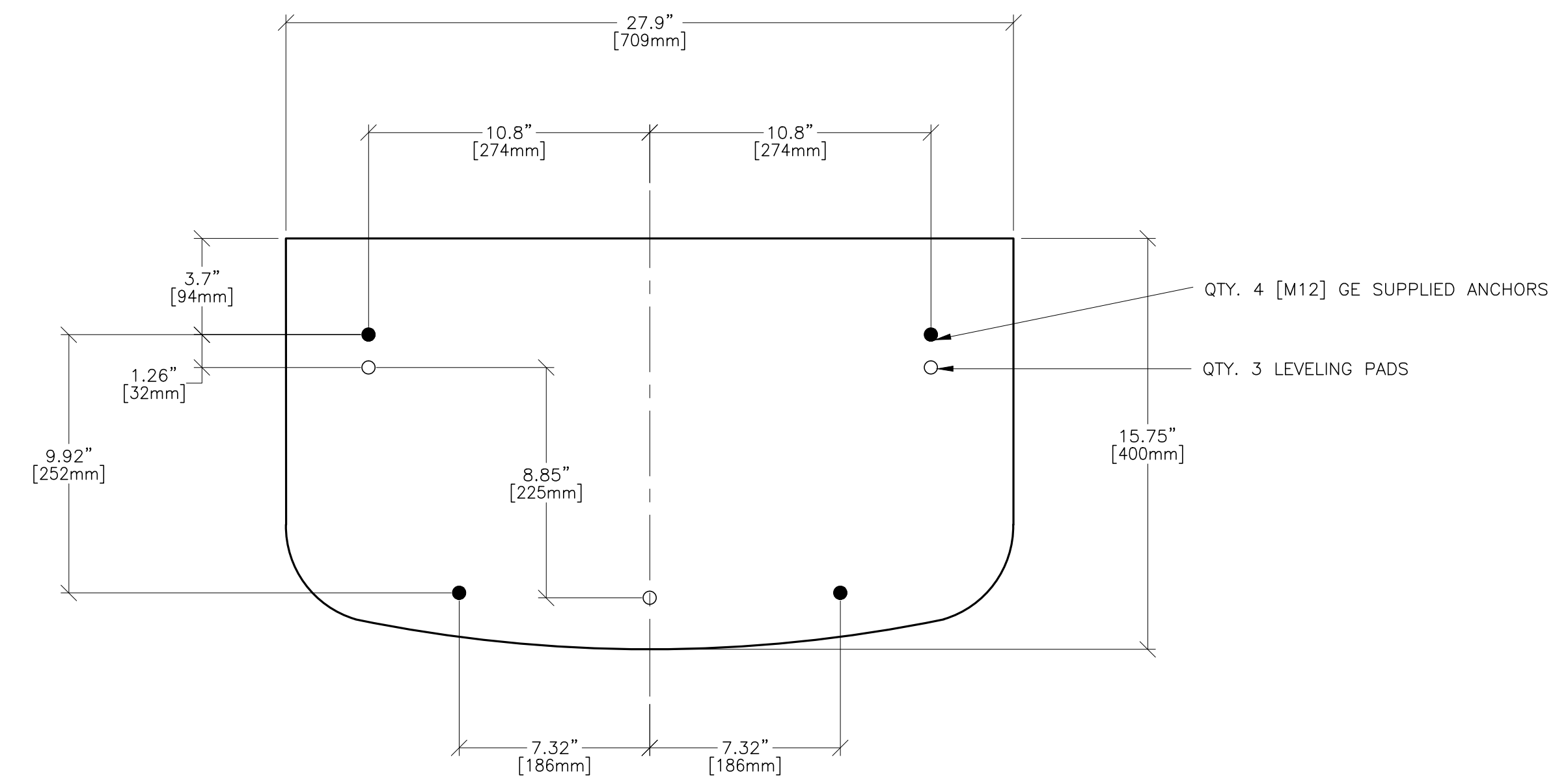


DETAIL NOT TO SCALE

FLOOR MOUNTING DETAIL: CONTROL STATION INSTALLATION METHODS

B7126A

REV. DATE: 03/15/04



DETAIL NOT TO SCALE

SHEET TITLE: STRUCTURAL DETAILS
MODALITY TYPE: SENOGRAPHE ESSENTIAL

THIS PLAN IS SUBMITTED TO SUPPORT LOCATION OF HEALTHCARE EQUIPMENT AND ASSOCIATED ELECTRICAL WIRING DETAILS AND ROOM ARRANGEMENTS. IN PREPARING THIS PLAN, EVERY EFFORT HAS BEEN MADE TO CONFORM DETAILS TO THE REQUIREMENTS OF THE LOCAL, STATE AND FEDERAL BUILDING CODES. GE HEALTHCARE DESIGN CENTER AND THE COMPANY CANNOT ACCEPT RESPONSIBILITY FOR ANY DAMAGES RESULTING THEREFROM.

PROJECT TITLE:

9-32f
TYPICAL FINAL
US DESIGN CENTER

PROJECT	REVISION
9-32f	03
DATE:	06.Oct.16
DRAWN BY:	MKL
CHECKED BY:	CPC

REVISION HISTORY:

SHEET
S2



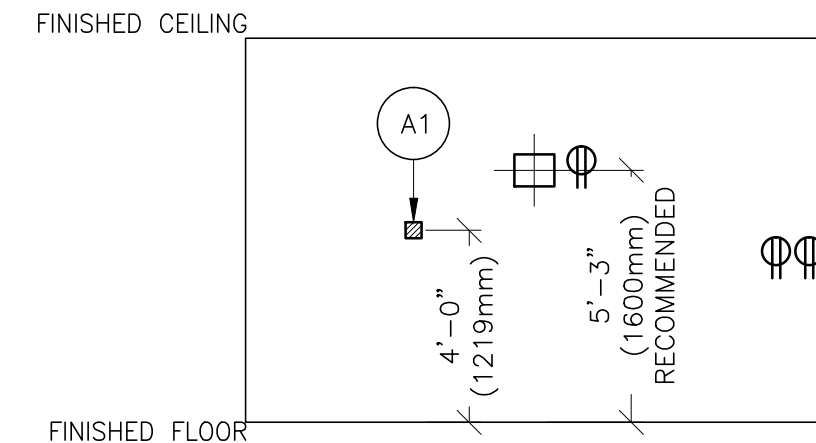
GE Healthcare

Healthcare Project Implementation - Design Center
Milwaukee, Wisconsin

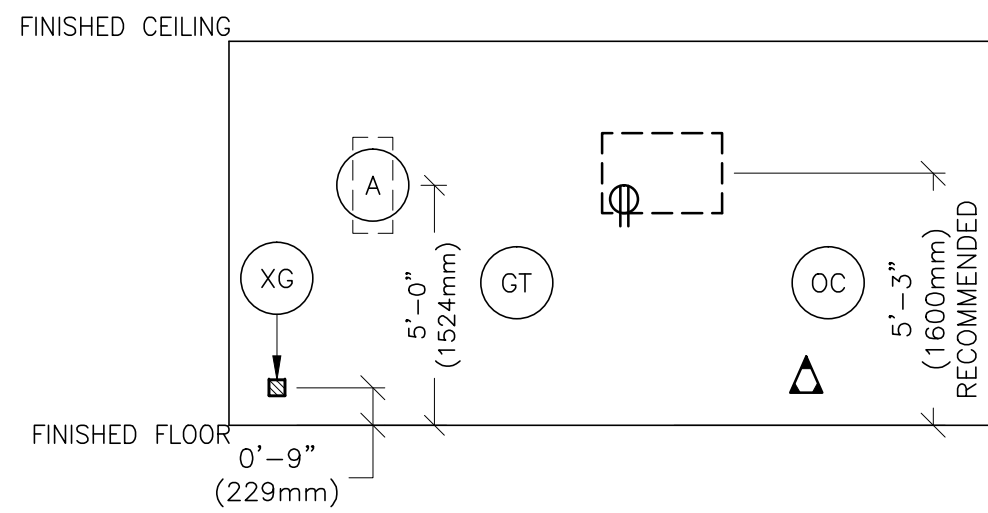
SCALE: 1/4" = 1'-0"

ELECTRICAL PLAN

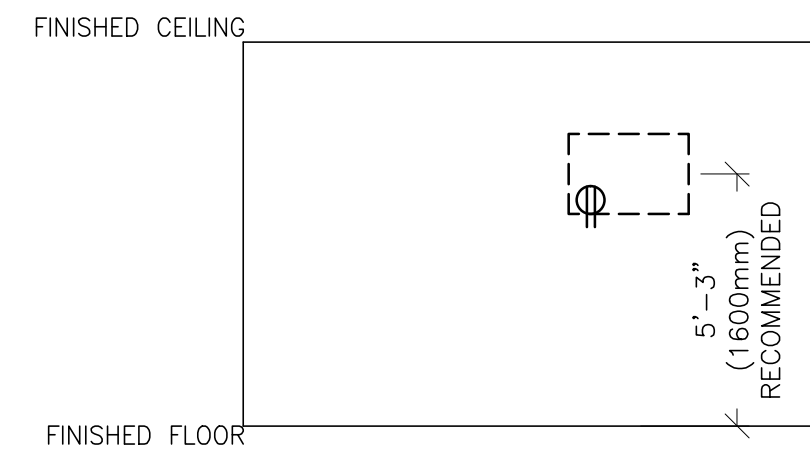
RECOMMENDED CEILING HEIGHT = 8'-6"



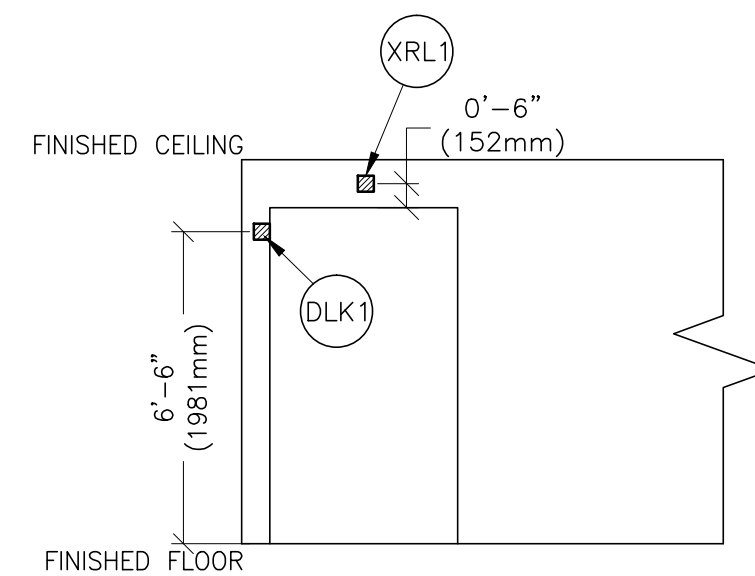
A



B



C



D

FEEDER TABLE REV. DATE: 03/08/04

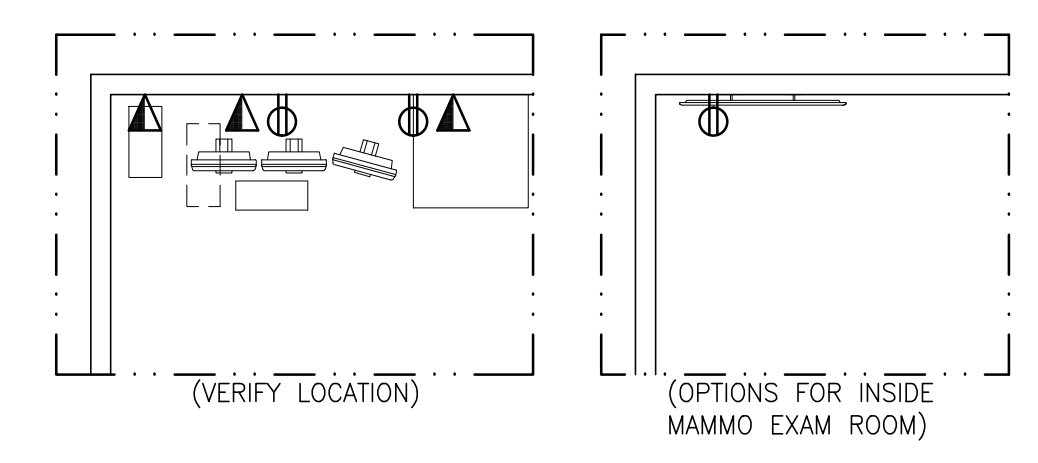
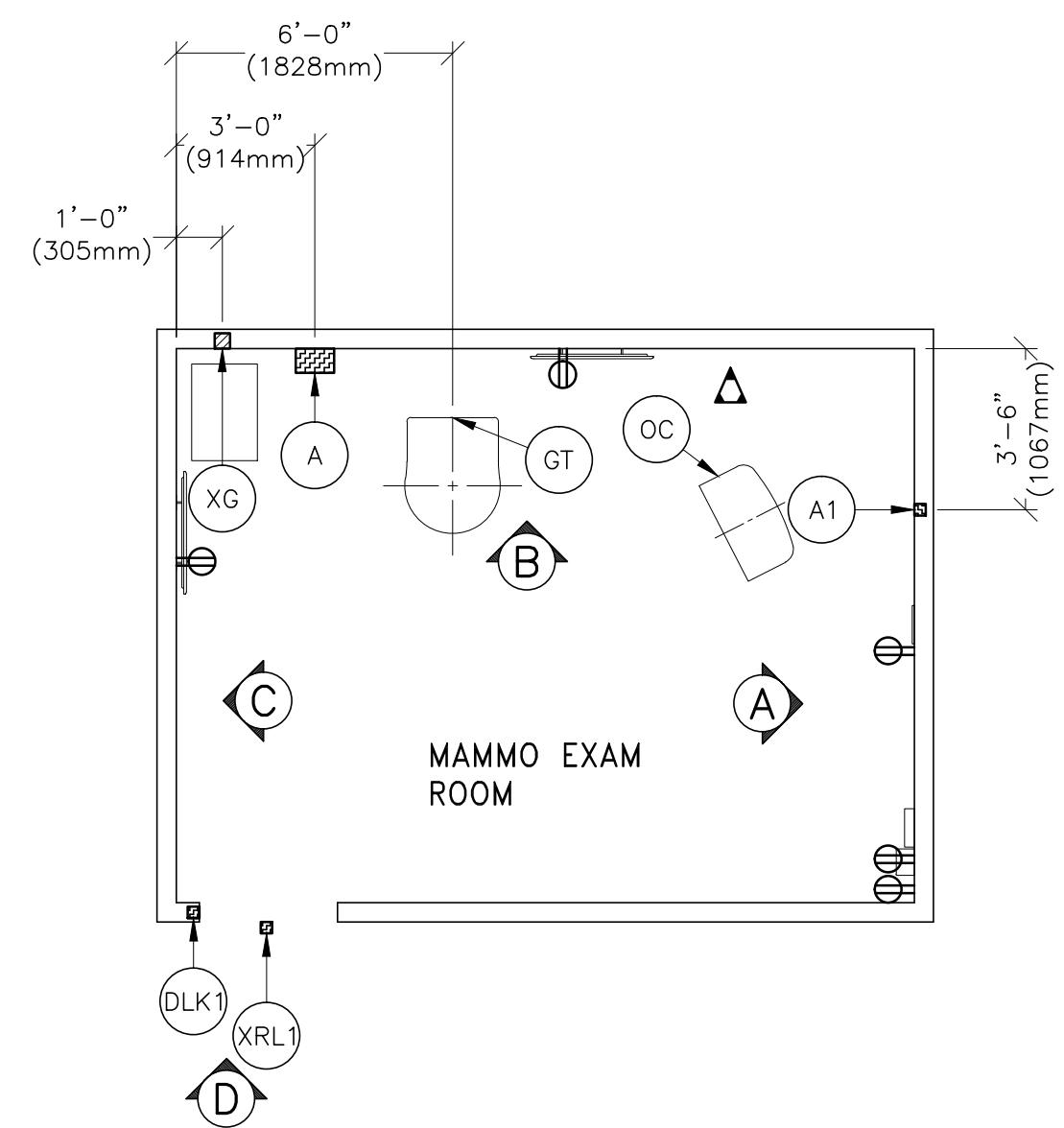
* CALCULATIONS BASED UPON NOMINAL VOLTAGE, WIRE SIZE IN AWG.
 * RECOMMENDED FEEDER SIZES FROM DISTRIBUTION TRANSFORMER TO THE POWER CABINET
 * NEUTRAL MUST BE TERMINATED INSIDE THE MAIN DISCONNECT PANEL AND NOT AT ANY GE CABINET.
 * THE GROUNDING CONDUCTOR WILL BE OF SAME SIZE AS THE FEEDER WIRES. THIS GROUND WILL RUN FROM THE EQUIPMENT BACK TO THE FACILITY POWER SOURCE/MAIN GROUNDING POINT AND ALWAYS TRAVEL IN THE SAME CONDUIT WITH THE FEEDERS AND NEUTRAL.
 * IF THE GENERAL ELECTRIC EQUIPMENT IS BEING FED BY A DELTA SECONDARY, IT IS RECOMMENDED THAT THE B PHASE ON THE SECONDARY BE CONNECTED TO GROUND TO PREVENT DAMAGE TO THE SYSTEM.
 * FOR A FULL SYSTEM UPS, REFER TO ELECTRICAL DETAILS FOR UPS FEEDER WIRES.
 * * MINIMUM WIRE SIZE FOR CIRCUIT BREAKER, BASED ON RECOMMENDED OVERCURRENT PROTECTION.

NOTE: ALL WIRE IMPEDANCES MUST BE 0.2 OHMS OR LESS

RUN LENGTH IN FEET	POWER SUPPLY VOLTAGE			
	180-220 200	187-229 208	198-242 220	216-264 240
	SIZE OF FEEDERS AND GROUND WIRES (AWG)			
50	10	10	10	*10
100	6	8	8	8
150	4	6	6	6
200	4	4	4	6
250	3	3	4	4
300	2	2	3	4
350	1	2	2	3
400	1	1	2	2
450	1/0	1/0	1	2

JUNCTION POINT NOTES

- ALL JUNCTION BOXES, CONDUIT, DUCT, DUCT DIVIDERS, SWITCHES, CIRCUIT BREAKERS, CABLE TRAY, ETC., ARE TO BE SUPPLIED AND INSTALLED BY CUSTOMER'S ELECTRICAL CONTRACTOR.
- CONDUIT AND DUCT RUNS SHALL HAVE SWEEP RADIUS BENDS
- CONDUITS AND DUCT ABOVE CEILING OR BELOW FINISHED FLOOR MUST BE INSTALLED AS NEAR TO CEILING OR FLOOR AS POSSIBLE TO REDUCE RUN LENGTH.
- CEILING MOUNTED JUNCTION BOXES ILLUSTRATED ON THIS PLAN MUST BE INSTALLED FLUSH WITH FINISHED CEILING.
- ALL DUCTWORK MUST MEET THE FOLLOWING REQUIREMENTS:
 - DUCTWORK SHALL BE METAL WITH DIVIDERS AND HAVE REMOVABLE, ACCESSIBLE COVERS.
 - DUCTWORK SHALL BE CERTIFIED/RATED FOR ELECTRICAL POWER PURPOSES.
 - DUCTWORK SHALL BE ELECTRICALLY AND MECHANICALLY BONDED TOGETHER IN AN APPROVED MANNER.
 - PVC AS A SUBSTITUTE MUST BE USED IN ACCORDANCE WITH ALL LOCAL AND NATIONAL CODES.
- ALL OPENINGS IN ACCESS FLOORING ARE TO BE CUT OUT AND FINISHED OFF WITH GROMMET MATERIAL BY THE CUSTOMER'S CONTRACTOR.
- GENERAL CONTRACTOR TO INSERT PULL CORDS FOR ALL CABLE RUN CONDUITS BETWEEN THE EQUIPMENT ROOM AND THE OPERATOR'S CONTROL ROOM.
- 10 FOOT PIGTAILS AT ALL JUNCTION POINTS.
- ALL WIRING MUST BE THIN OR TFFN STRANDED COPPER THERMOPLASTIC 600 VOLT OR EQUIVALENT INSULATION. **ALUMINUM OR SOLID WIRES ARE NOT ALLOWED.**
- GROUNDING IS CRITICAL TO EQUIPMENT FUNCTION AND PATIENT SAFETY. SITE MUST CONFORM TO WIRING SPECIFICATIONS SHOWN ON THIS PLAN.



CONDUIT RUNS FOR MAMMOGRAPHY SYSTEM (BY CONTRACTOR)

REV DATE: 18.AUG.14

A	TO	A1	ONE 1/2" CND.
A	TO	XG	ONE 1" CND.
A	TO	POWER	ONE CONDUIT AS REQ'D
XRL1	TO	A	ONE 1/2" CND.
DLK1	TO	XG	ONE 1/2" CND.

NOTE: SEE E2 PAGE FOR MAXIMUM RUN LENGTHS

ELECTRICAL OUTLET LEGEND

CUSTOMER/CONTRACTOR SUPPLIED AND INSTALLED ITEMS. HEIGHT ABOVE FLOOR DETERMINED BY LOCAL CODES UNLESS OTHERWISE SPECIFIED.

- BROADBAND CONNECTION (SEE ELECTRICAL DETAIL ELEC-133)
- NETWORK OUTLET (SEE ELECTRICAL DETAILS ELEC-83 AND ELEC-84 OR ELEC-87)
- DUPLEX HOSPITAL GRADE, DEDICATED WALL OUTLET 120-V, SINGLE PHASE POWER

THE GE HR TECHNICAL SUPPORT GROUP IS AN ADDITIONAL RESOURCE THAT CAN PROVIDE ANSWERS FOR GENERAL GE PRODUCT SITING QUESTIONS AND CAN BE REACHED AT (877)-305-9677 OR MAILTO:HEITech00E@ge.com

JUNCTION POINT DESCRIPTIONS

THE FOLLOWING MATERIALS ARE TO BE SUPPLIED AND INSTALLED BY THE CUSTOMER'S ELECTRICAL CONTRACTOR

POINT	DESCRIPTION	QTY.	HARDWARE	DETAIL NO., SHT. E3
A	MAIN DISCONNECT * AVAILABLE FROM GEHC CALL 800-279-7925 OR LOCAL GE INSTALLATION PROJECT MGR.	1	30 AMP 25,000 AIC RATED CIRCUIT BREAKER AND PANEL WITH MAGNETIC CONTACTOR AND REMOTE ON/OFF ILLUMINATED LED PUSHBUTTONS. GENS CAT. NO. E4S02B	
A1	EMERGENCY OFF	1	PROVIDE A DOUBLE GANG, 2 1/8 IN. DEEP, FLUSH MTD. WALL BOX.	
DLK1	DOOR SWITCH (NEEDED ONLY IF REQUIRED BY STATE/LOCAL CODES)	1	ROOM DOOR INTERLOCK LIMIT SWITCH IN FRAME - NORMALLY OPEN <24V> SINGLE GANG BOX	
GT	GANTRY	1	EXTERNALLY CONNECTED	
OC	CONTROL CONSOLE	1	EXTERNALLY CONNECTED	
XG	GENERATOR	1	COVERPLATE 4 X 4 X 4 IN. BDX 1 IN. DIA. CHASE NIPPLE CONNECT EXTERNALLY TO SENOGRAPHE GANTRY. GENERATOR HARDWIRED TO DISCONNECT	ELEC-8
XRL1	'X-RAY' ON LIGHT (NEEDED ONLY IF REQUIRED BY STATE/LOCAL CODES) AVAILABLE FROM GEHC, CALL 800-279-7925 OR LOCAL GE PROJECT MGR	1	SINGLE GANG BOX 'SENOGRAPHE ON' WARNING LIGHT. GENS CAT. NO. WX1A1BWV-XIU-SD-24V(LED)	

CONTRACTOR SUPPLIED AND INSTALLED WIRING

ELECTRICAL CONTRACTOR SHALL RING OUT, TAG AND TERMINATE ALL WIRES AT BOTH ENDS.

WIRE RUN, FROM - TO	QUANTITY, WIRE SIZE/COLOR
208-V > A	2-BLACK, 1-GREEN (REFER TO FEEDER TABLE FOR SIZE)
A1 > A	1-BLACK, 1-WHITE, 1-GREEN - (SIZE AS REQUIRED) (WITHOUT 'POWER ON' LIGHT, 'SEND ON' LIGHT, 'X-RAY IN USE' LIGHT, DOOR SWITCH)
A1 > A	6-BLACK, 2-WHITE, 1-GREEN - (SIZE AS REQUIRED) (WITH 'POWER ON' LIGHT, 'SEND ON' LIGHT, 'X-RAY IN USE' LIGHT, DOOR SWITCH)
A > XRL1	1-BLACK, 1-WHITE, 1-GREEN - (SIZE AS REQUIRED)
XG > DLK1	1-BLACK, 1-WHITE, 1-GREEN - (SIZE AS REQUIRED)

GE Healthcare

Healthcare Project Implementation - Design Center

Wisconsin

SHEET TITLE: **ELECTRICAL LAYOUT**

MODALITY TYPE: **SENOGRAPHE ESSENTIAL**

THIS PLAN IS SUBMITTED TO SURVEY LOCATION OF GE HEALTHCARE EQUIPMENT AND ASSOCIATED APPARATUS. ELECTRICAL WIRING DETAILS AND ROOM ARRANGEMENTS IN PREPARING THIS PLAN, EVERY EFFORT HAS BEEN MADE TO CONFORM TO DETAILS AND REQUIREMENTS OF THE LOCAL, STATE AND FEDERAL CODES. THE USER OR ACTING CONTRACTOR SHALL VERIFY ALL DIMENSIONS AND THE COMPANY CANNOT ACCEPT RESPONSIBILITY FOR ANY DAMAGES RESULTING THEREFROM.

PROJECT TITLE: **9-32f**

TYPICAL FINAL

US DESIGN CENTER

PROJECT: **9-32f**

REVISION: **03**

DATE: **06.Oct.16**

DRAWN BY: **MKL**

CHECKED BY: **CPC**

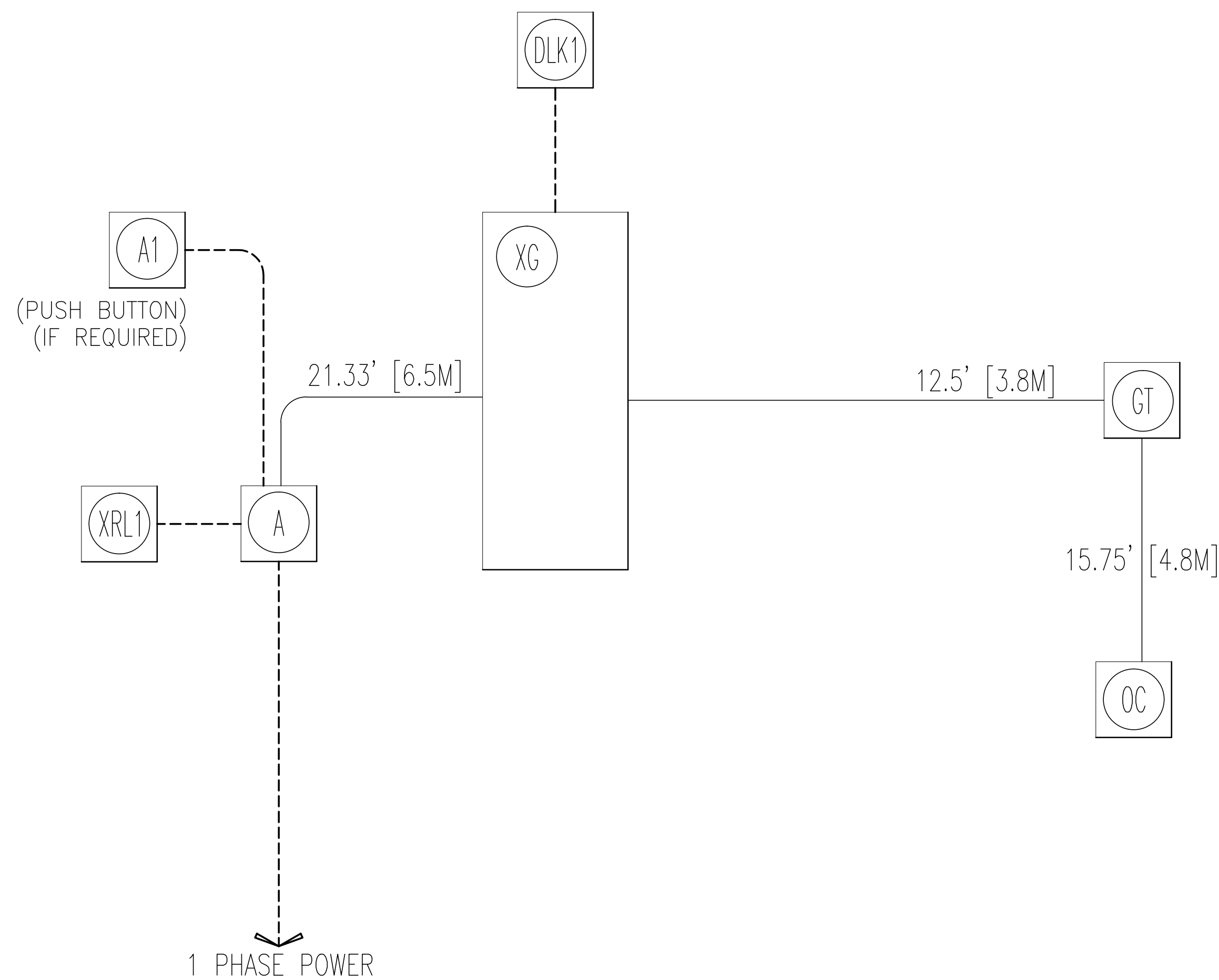
REVISION HISTORY:

SHEET

E1

RQ - 161762 PIM R1

INTERCONNECT DIAGRAM



POWER SPECIFICATIONS

SENOGRAPHE DS/ESSENTIAL REV. DATE: 01-04-07

VOLTAGE PRIMARY SOURCE IS REQUIRED FOR ALL INSTALLATIONS.
 RANGE OF LINE VOLTAGES :
 NOMINAL LINE VOLTAGE OF 200V TO 240V 1 PHASE, 50 OR 60 Hz.

MAXIMUM DAILY VOLTAGE VARIATION MUST FALL WITHIN ONE OF THE RANGES IN TABLE A.

TABLE A ALLOWABLE INPUT VOLTAGES/CURRENT DEMAND

NOMINAL VOLTAGE	NORMAL RANGE ±10 PERCENT	CURRENT (AMPS)	
		MOMENTARY	MINIMUM STANDARD OVERCURRENT PROTECTION
200	180 - 220	47	30-A
208	187 - 229	45	30-A
220	198 - 242	43	30-A
240	216 - 264	39	30-A

MAXIMUM MOMENTARY LINE CURRENTS INDICATED AT MINIMUM LINE VOLTAGE.

POWER DEMAND INSTANTANEOUS MAX. POWER DEMAND = 9 KVA UP TO 6 SECONDS
 STANDBY POWER DEMAND = 1.5 KVA

TABLE B MAXIMUM MOMENTARY POWER DEMAND.

DEMAND	SENO 2000 DS
kVa	9
POWER FACTOR AT	0.6
mA	600
kVp	40

ELECTRICAL NOTES

- NOTE 1: ALL WIRES SPECIFIED SHALL BE COPPER STRANDED, FLEXIBLE, THERMO-PLASTIC, COLOR CODED, CUT 10 FOOT LONG AT OUTLET BOXES, DUCT TERMINATION POINTS OR STUBBED CONDUIT ENDS. ALL CONDUCTORS, POWER, SIGNAL AND GROUND, MUST BE RUN IN A CONDUIT OR DUCT SYSTEM. ELECTRICAL CONTRACTOR SHALL RING OUT AND TAG ALL WIRES AT BOTH ENDS. WIRE RUNS MUST BE CONTINUOUS COPPER STRANDED AND FREE FROM SPLICES. **ALUMINUM OR SOLID WIRES ARE NOT ALLOWED.**
- NOTE 2: WIRE SIZES GIVEN ARE FOR USE OF EQUIPMENT. LARGER SIZES MAY BE REQUIRED BY LOCAL CODES.
- NOTE 3: IT IS RECOMMENDED THAT ALL WIRES BE COLOR CODED, AS REQUIRED IN ACCORDANCE WITH NATIONAL AND LOCAL ELECTRICAL CODES.
- NOTE 4: CONDUIT SIZES SHALL BE VERIFIED BY THE ARCHITECT, ELECTRICAL ENGINEER OR CONTRACTOR, IN ACCORDANCE WITH LOCAL OR NATIONAL CODES.
- NOTE 5: CONVENIENCE OUTLETS ARE NOT ILLUSTRATED. THEIR NUMBER AND LOCATION ARE TO BE SPECIFIED BY OTHERS. LOCATE AT LEAST ONE CONVENIENCE OUTLET CLOSE TO THE SYSTEM CONTROL, THE POWER DISTRIBUTION UNIT AND ONE ON EACH WALL OF THE PROCEDURE ROOM. USE HOSPITAL APPROVED OUTLET OR EQUIVALENT.
- NOTE 6: GENERAL ROOM ILLUMINATION IS NOT ILLUSTRATED. CAUTION SHOULD BE TAKEN TO AVOID EXCESSIVE HEAT FROM OVERHEAD SPOTLIGHTS. DAMAGE CAN OCCUR TO CEILING MOUNTING COMPONENTS AND WIRING IF HIGH WATTAGE BULBS ARE USED. RECOMMEND LOW WATTAGE BULBS NO HIGHER THAN 75 WATTS AND USE DIMMER CONTROLS (EXCEPT MR). DO NOT MOUNT LIGHTS DIRECTLY ABOVE AREAS WHERE CEILING MOUNTED ACCESSORIES WILL BE PARKED.
- NOTE 7: **ROUTING OF CABLE DUCTWORK, CONDUITS, ETC., MUST RUN DIRECT AS POSSIBLE OTHERWISE MAY RESULT IN THE NEED FOR GREATER THAN STANDARD CABLE LENGTHS (REFER TO THE INTERCONNECTION DIAGRAM FOR MAXIMUM USABLE LENGTHS POINT TO POINT).**
- NOTE 8: CONDUIT TURNS TO HAVE LARGE, SWEEPING BENDS WITH MINIMUM RADIUS IN ACCORDANCE WITH NATIONAL AND LOCAL ELECTRICAL CODES.
- NOTE 9: A SPECIAL GROUNDING SYSTEM IS REQUIRED IN ALL PROCEDURE ROOMS BY SOME NATIONAL AND LOCAL CODES. IT IS RECOMMENDED IN AREAS WHERE PATIENTS MIGHT BE EXAMINED OR TREATED UNDER PRESENT, FUTURE, OR EMERGENCY CONDITIONS. CONSULT THE GOVERNING ELECTRICAL CODE AND CONFER WITH APPROPRIATE CUSTOMER ADMINISTRATIVE PERSONNEL TO DETERMINE THE AREAS REQUIRING THIS TYPE OF GROUNDING SYSTEM.
- NOTE 10: THE MAXIMUM POINT TO POINT DISTANCES ILLUSTRATED ON THIS DRAWING MUST NOT BE EXCEEDED.
- NOTE 11: PHYSICAL CONNECTION OF PRIMARY POWER TO GE EQUIPMENT IS TO BE MADE BY CUSTOMERS ELECTRICAL CONTRACTOR WITH THE SUPERVISION OF A GE REPRESENTATIVE. THE GE REPRESENTATIVE WOULD BE REQUIRED TO IDENTIFY THE PHYSICAL CONNECTION LOCATION, AND INSURE PROPER HANDLING OF GE EQUIPMENT.
- NOTE 12: GEHC CONDUCTS POWER AUDITS TO VERIFY QUALITY OF POWER BEING DELIVERED TO THE SYSTEM. THE CUSTOMER'S ELECTRICAL CONTRACTOR IS REQUIRED TO BE AVAILABLE TO SUPPORT THIS ACTIVITY.

DIAGRAM KEY

- CUSTOMER/CONTRACTOR SUPPLIED WIRING. ROUTE IN ADEQUATE CONDUIT OR RACEWAY.
- GE FURNISHED CABLE RUNS. ROUTE IN EMPTY CONDUIT OR RACEWAY.
- 59' [18M] MAXIMUM RUN LENGTH BETWEEN JUNCTION POINTS. Feet, [Meters]

SHEET TITLE: ELECTRICAL SPECIFICATIONS
 MODALITY TYPE: SENOGAPHE ESSENTIAL

THIS PLAN IS SUBMITTED TO SURVEY LOCATION OF HEALTHCARE EQUIPMENT AND ASSOCIATED APPARATUS. ELECTRICAL WIRING DETAILS AND ROOM ARRANGEMENTS IN PREPARING THIS PLAN, EVERY EFFORT HAS BEEN MADE TO CONFORM DETAILS TO THE ACTUAL SITUATION. THE USER MUST VERIFY THE LOCATION OF THE EQUIPMENT OR ACTUAL CONSTRUCTION BEFORE ANY WORK IS DONE. THE COMPANY CANNOT ACCEPT RESPONSIBILITY FOR ANY DAMAGES RESULTING THEREFROM.

PROJECT TITLE:

9-32f
 TYPICAL FINAL
 US DESIGN CENTER

PROJECT	REVISION
9-32f	03
DATE:	06.Oct.16
DRAWN BY:	MKL
CHECKED BY:	CPC

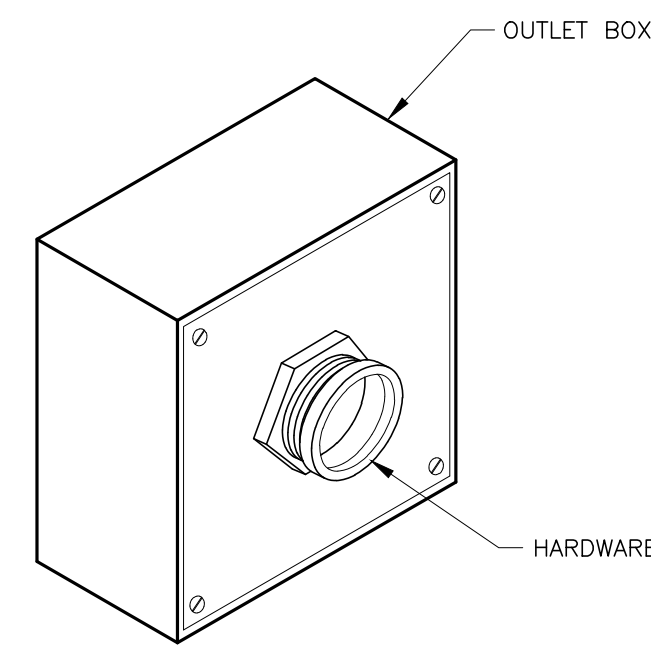
REVISION HISTORY:

SHEET
 E2

GE Healthcare
 Healthcare Project Implementation - Design Center
 Milwaukee, Wisconsin

ELECTRICAL DETAIL
BOX WITH COVERPLATE (TYPICAL)

ELEC-8
REV. DATE: 09/30/94

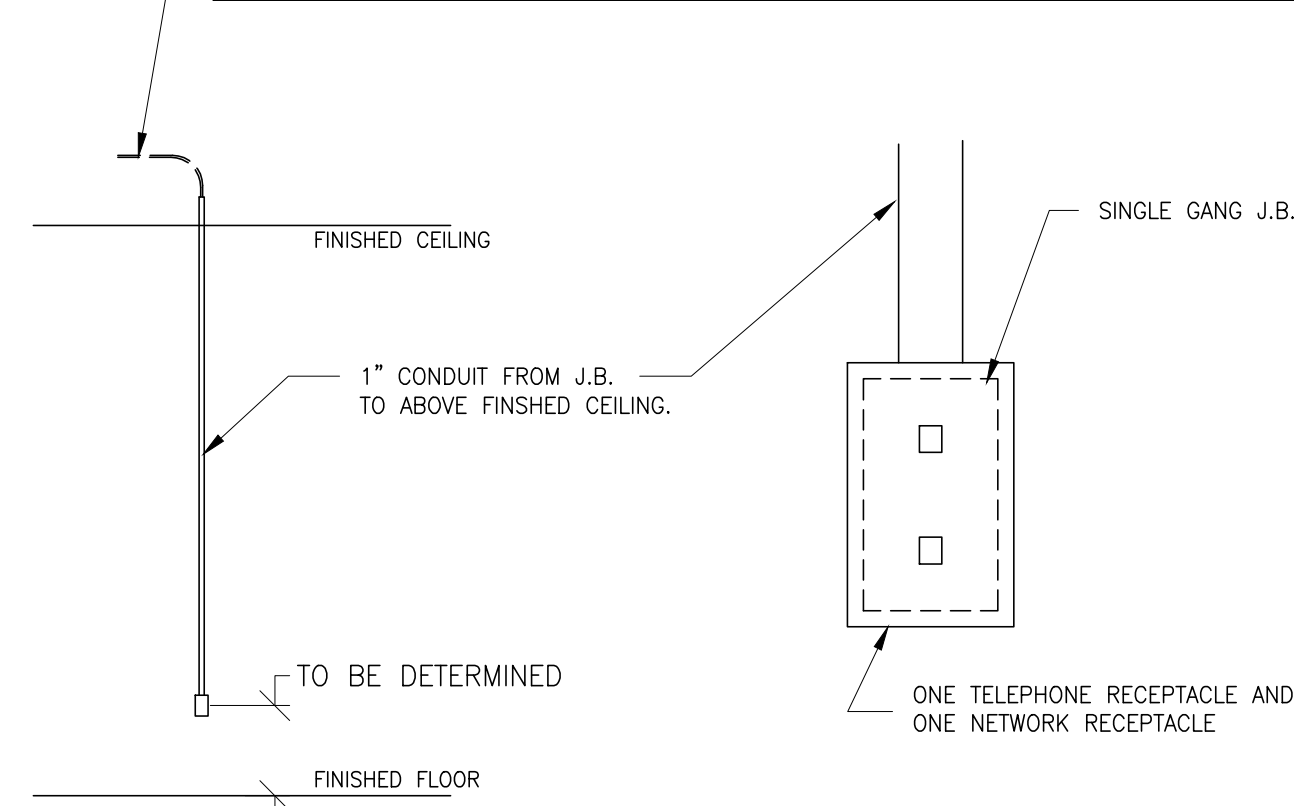


DETAIL NOT TO SCALE

ELECTRICAL DETAIL
BROADBAND CONNECTION (TYPICAL)

ELEC-133
REV. DATE: 03/15/04

THE FOLLOWING CONNECTION MUST BE INSTALLED AT THE LOCATION SHOWN ON THE ELECTRICAL PLAN (SHEET E1) FOR GE INSITE CONNECTION
A) ONE INTERNET ACCESSIBLE VIRTUAL PRIVATE NETWORK (VPN) CONNECTION WITH A STATIC IP ADDRESS, AND ONE TELEPHONE LINE - DEDICATED-DIRECT-DIALING, VOICE GRADE.

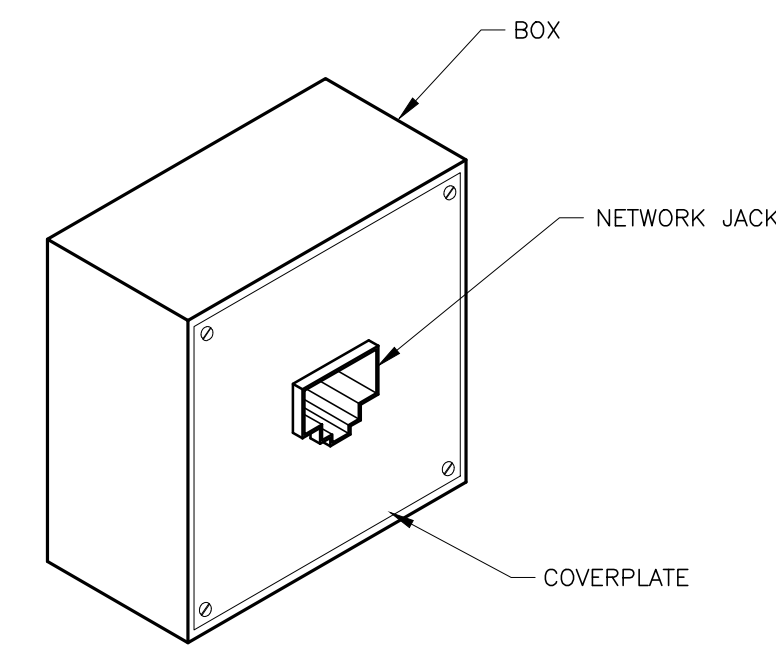


ALL ITEMS ILLUSTRATED ARE TO BE FURNISHED AND INSTALLED BY CUSTOMER OR THEIR CONTRACTOR.

DETAIL NOT TO SCALE

ELECTRICAL DETAIL
BOX WITH COVERPLATE AND NETWORK JACK

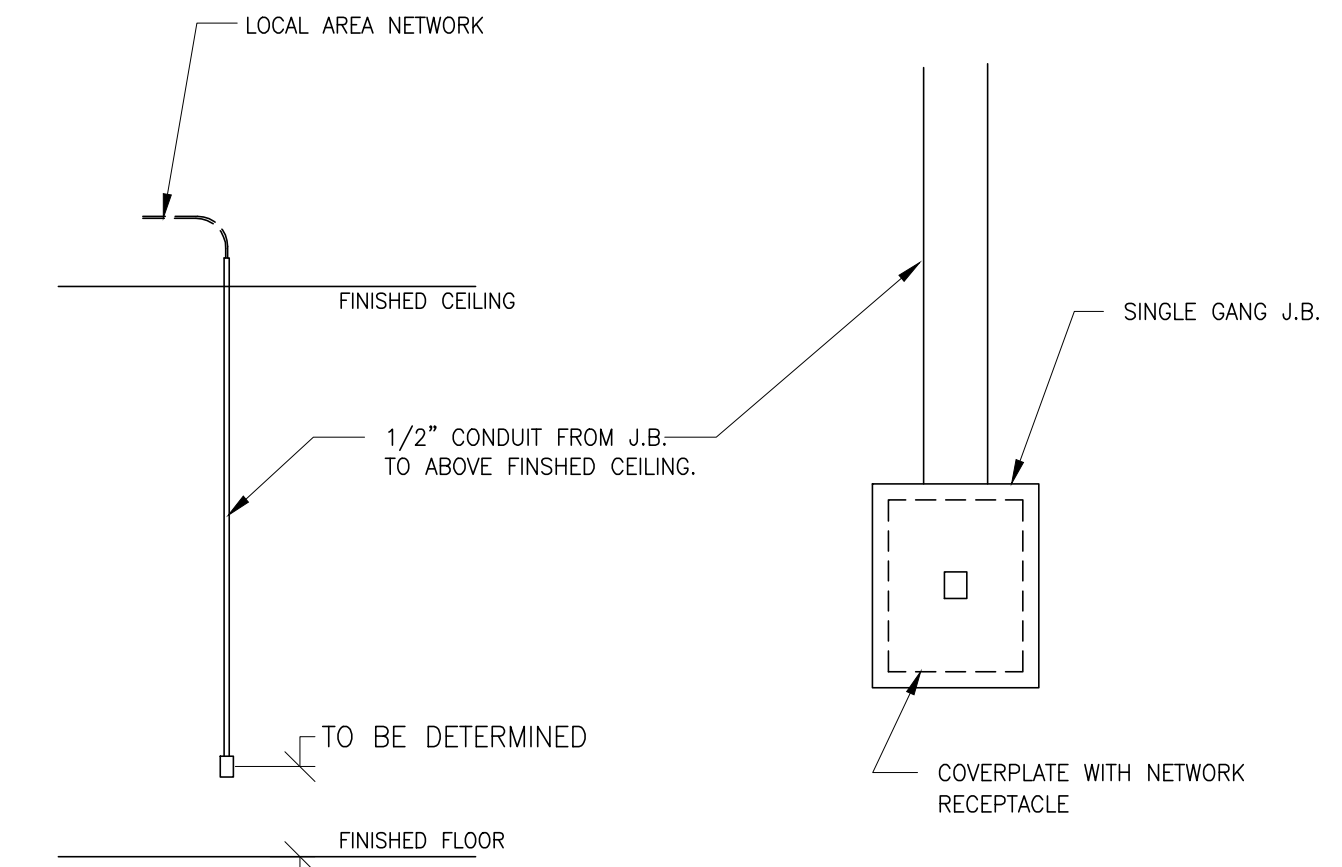
ELEC-83
REV. DATE: 10/06/98



DETAIL NOT TO SCALE

ELECTRICAL DETAIL
NETWORK CONNECTION (TYPICAL)

ELEC-84
REV. DATE: 17 Jun.16



DETAIL NOT TO SCALE

SHEET TITLE: ELECTRICAL DETAILS
MODALITY TYPE: SENOGAPHE ESSENTIAL

THIS PLAN IS SUBMITTED TO SURVEY LOCATION OF HEALTHCARE EQUIPMENT AND ASSOCIATED APPARATUS. ELECTRICAL WIRING DETAILS AND ROOM ARRANGEMENTS IN PREPARING THIS PLAN, EVERY EFFORT HAS BEEN MADE TO CONFORM DETAILS TO THE LATEST EDITIONS OF THE NATIONAL ELECTRICAL CODE, THE NATIONAL ELECTRICAL DISTRIBUTION CODE, AND THE COMPANY'S STANDARD PRACTICES. THE COMPANY CANNOT ACCEPT RESPONSIBILITY FOR ANY DAMAGES RESULTING THEREFROM.

PROJECT TITLE:

9-32f
TYPICAL FINAL
US DESIGN CENTER

PROJECT	REVISION
9-32f	03
DATE:	06.Oct.16
DRAWN BY:	MKL
CHECKED BY:	CPC

REVISION HISTORY:

SHEET
E3

