




REV	DATE	MODIFICATIONS
01 - C1 - Cover Sheet		
02 - A2 - Equipment Layout		
03 - S2 - Structural Layout		
04 - S3 - Structural Details (1)		
05 - S5 - Structural Details (3)		
06 - E2 - Electrical Layout		
07 - E3 - Electrical Elevations		

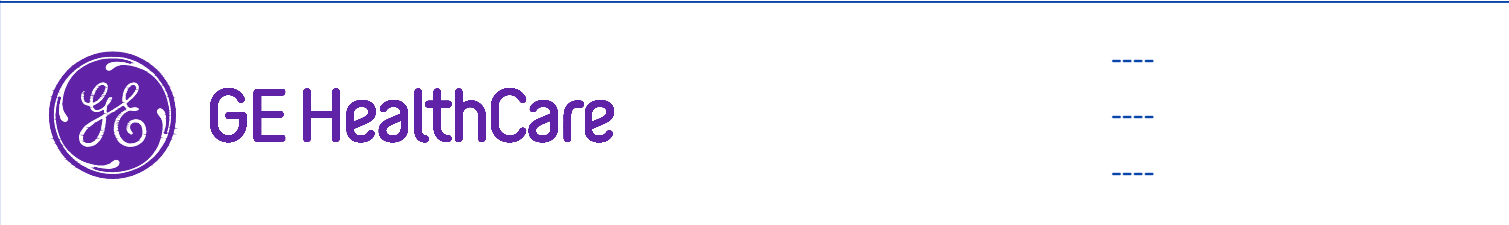
A mandatory component of this drawing set is the GE HealthCare Pre Installation manual. Failure to reference the Pre Installation manual will result in incomplete documentation required for site design and preparation.  
 Pre Installation documents for GE HealthCare products can be accessed on the web at: <https://www.gehealthcare.com/support/manuals>

GE HealthCare does not take responsibility for any damages resulting from changes on drawings made by others. Errors may occur by not referring to the complete set of final issue drawings. GE HealthCare cannot accept responsibility for any damage due to the partial use of GE HealthCare final issue drawings, however caused. All dimensions are in millimeters unless otherwise specified. Do not scale from printed pdf files. GE HealthCare accepts no responsibility or liability for defective work due to scaling from these drawings.

**Typical**

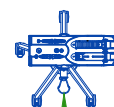
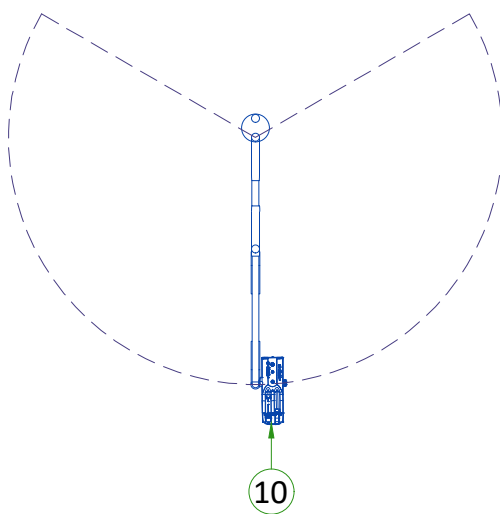
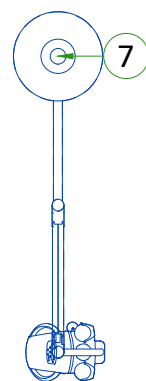
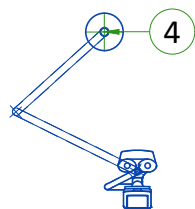
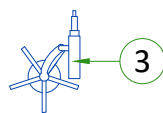
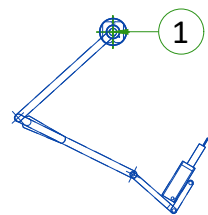
---

---



## CT AND PET INJECTORS TYPICAL STUDY

Drawn by	Verified by	Concession	GON/Quote	PIM Manual	Rev
RET	CRM	-	-	-	-
Format	Scale	File Name		Date	Sheet
A3	1/4"=1'-0"	EN-CT-TYP-INJECTORS-WEB.DWG		30/Apr/2024	01/19



**LEGEND**

A	GE SUPPLIED	D	AVAILABLE FROM GE
B	GE SUPPLIED/CONTRACTOR INSTALLED	E	EQUIPMENT EXISTING IN ROOM
C	CUSTOMER/CONTRACTOR SUPPLIED AND INSTALLED	*	ITEM TO BE REINSTALLED FROM ANOTHER SITE

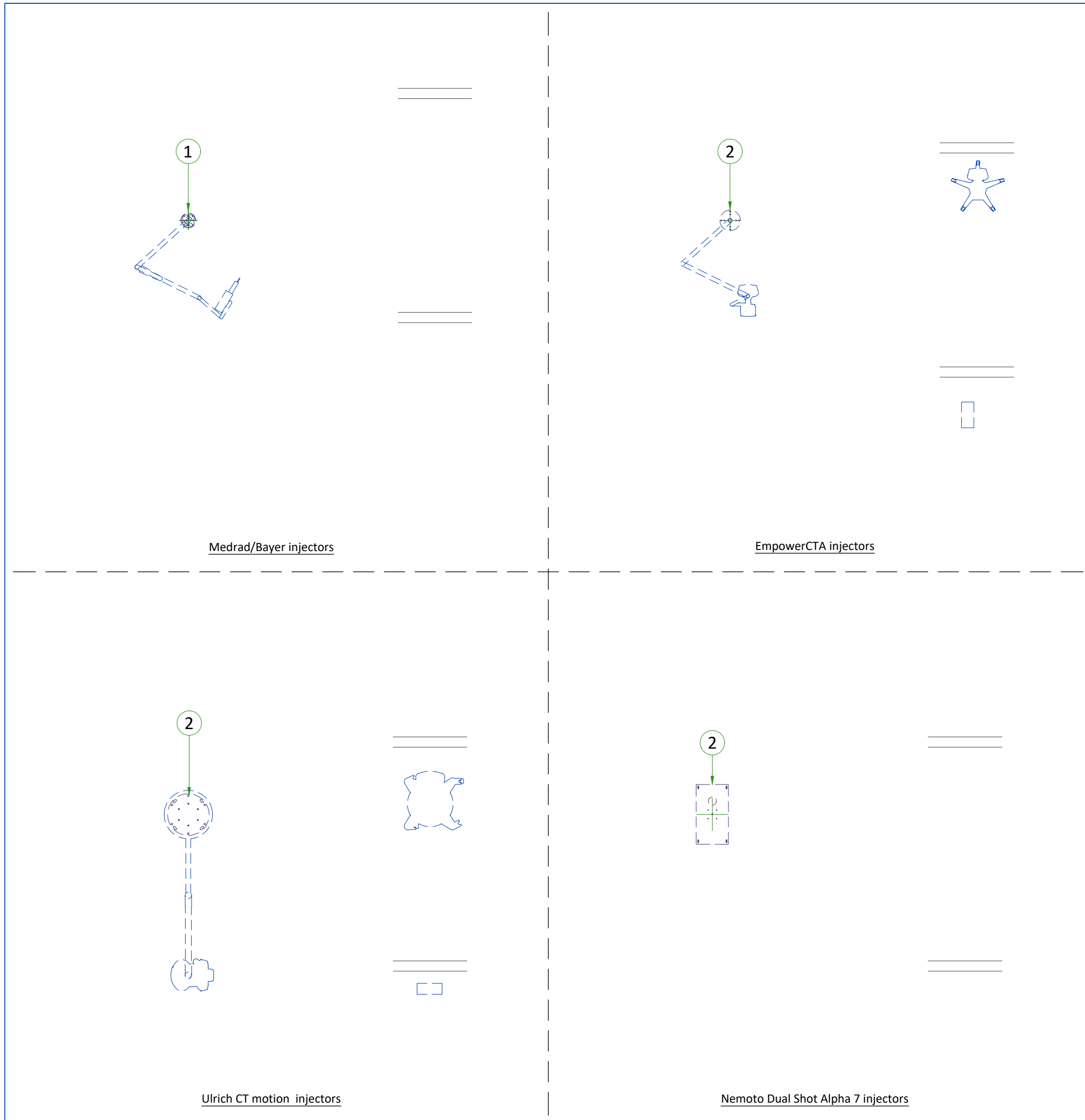
  

BY	ITEM	DESCRIPTION	MAX HEAT OUTPUT (BTU/h)	WEIGHT (lbs)	MAX HEAT OUTPUT (W)	WEIGHT (kg)
<b>Medrad/Bayer</b>						
A	1	INJECTOR ON CEILING	-	79	-	36
A	2	INJECTOR CONTROL	-	-	-	-
A	3	INJECTOR ON PEDESTAL	-	-	-	-
<b>EmpowerCTA</b>						
A	4	INJECTOR ON CEILING	-	78	-	35.4
A	5	INJECTOR POWER SUPPLY	-	-	-	-
A	6	INJECTOR ON PEDESTAL	-	-	-	-
<b>Ulrich CT Motion</b>						
A	7	ULRICH CT MOTION INJECTOR ON CEILING	-	66	-	30
A	8	ULRICH CT MOTION INJECTOR CONTROL	-	9	-	4
A	9	ULRICH CT MOTION INJECTOR ON PEDESTAL	-	174	-	79
<b>Nemoto Dual Shot Alpha 7</b>						
B	10	INJECTOR SUSPENSION NEMOTO DUAL SHOT ALPHA 7 WITH CEILING PLATE	-	-	-	-
B	11	NEMOTO DUAL SHOT ALPHA 7 INJECTOR CONSOLE	-	-	-	-
B	12	INJECTOR NEMOTO DUAL SHOT ALPHA 7 ON PEDESTAL	-	-	-	-

**EXAM ROOM HEIGHT**

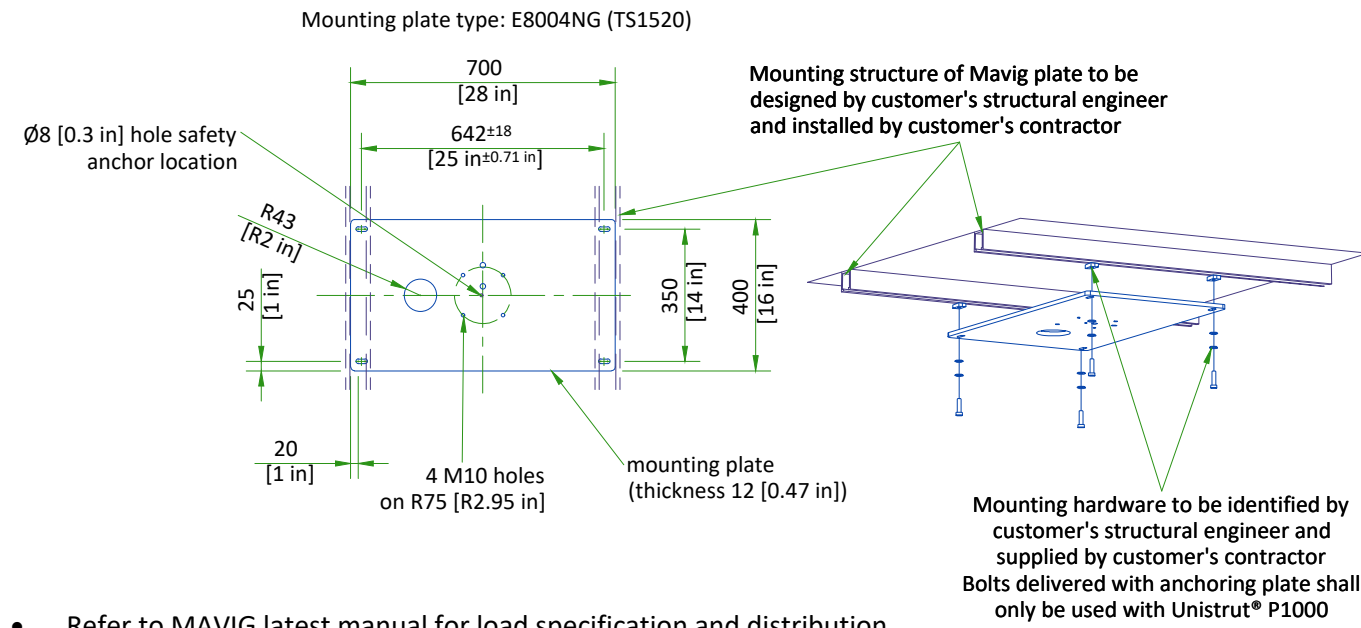
Finished ceiling height	REC. 9'-0"
-------------------------	------------

For Accessory Sales: (866) 281-7545 Options 1, 2, 1, 2 or mail to: [gehaccessorysales@ge.com](mailto:gehaccessorysales@ge.com)



ITEM	DESCRIPTION
<b>(CONTRACTOR SUPPLIED &amp; INSTALLED)</b>	
1	Structural supports for fastening the overhead counterpoised suspension. Support should run continuous with no fittings extending below face of channel, be parallel, square, and in the same horizontal plane, above finished ceiling. Ensure mounting surface is installed level or plumb within +/- 1 degree, and is structurally sufficient to maintain a level or plumb condition under 110 lb (50kg) system load and maximum system moment of 4400 in-lb (500n-m). Methods of support that will permit attachment to structural steel or through bolts in concrete construction should be favored. Do not use screw anchors in direct tension. 14" x 14" x 1/2" thick steel plate provided by manufacturer. See detail on structural detail sheets.
2	Ceiling support for injector.

## OPTIONAL MAVIG MOUNTING PLATE TO UNISTRUT RAILS OR EQUIVALENT

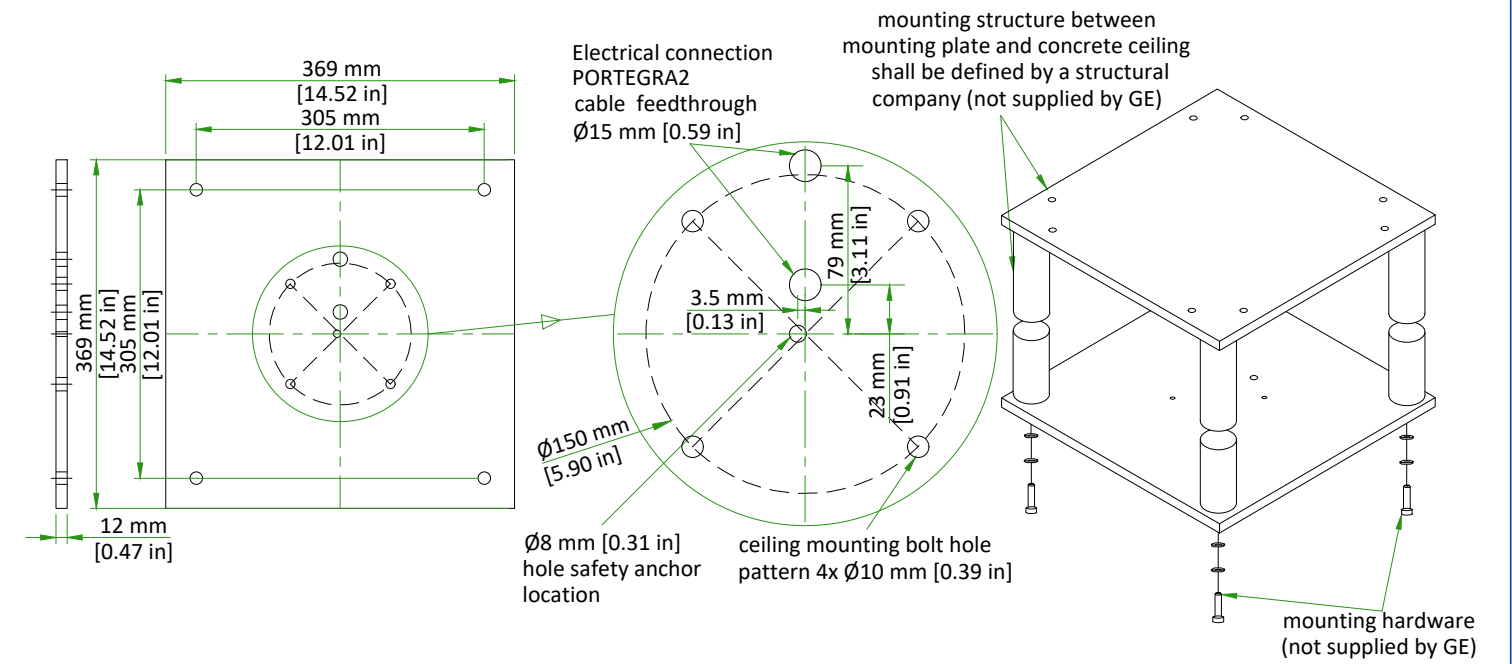


- Refer to MAVIG latest manual for load specification and distribution.

All design and pre-installation activity must be done in accordance of the MAVIG Installation manual. Contact your GE Project Manager for OEM documentation. Installation of mounting plate performed by GE or a GE sub-contractor.

SCALE 1:20

## CUSTOMER/CONTRACTOR SUPPLIED MOUNTING PLATE



The exact location of all five drill holes for MAVIG column has to be kept, otherwise installation can't be accomplished. Column flange and safety chain fixings to concrete or to structure other than MAVIG anchoring plate or MAVIG bridge shall be defined by a structural company. All design and pre-installation activity must be done in accordance of the MAVIG Installation manual. Contact your GE Project Manager for OEM documentation. Installation of mounting plate performed by GE or a GE sub-contractor.

NOT TO SCALE

Only applicable to  
Medrad/Bayer injectors with  
Mavig support structures.

## CEILING SUSPENSION DISCLAIMER

### Safety and precautionary comments:

Only qualified, licensed technicians can perform electrical connections, installation, removal and repair. It is strongly recommended that at least two persons perform the installation.

Installing the system: Prior to installation, a structural engineer must confirm that the mounting structure is strong enough to provide proper support for the entire system and any attached end devices. Installation must be completed according to local building codes.

Determination of required installation hardware and torque values for installation of the ceiling column and ceiling track is the sole responsibility of the structural engineer.

Ceiling mounted systems must be installed properly. Failure to follow the instructions provided may lead to a potentially dangerous and unstable condition of the system.

GE and/or MAVIG is not responsible for unauthorized modifications made to the system or use of the system for unintended purposes. GE and/or MAVIG cannot be held liable for improper operation and modifications. Since improper modifications may impair proper operation, safety or reliability of the system, product modifications require written authorization from MAVIG.

Under GE responsibility or under Customer responsibility, for all pre-installations, whatever is the supporting structure (bridge, chair, Unistrut channel, other channels, direct anchorage in concrete, transversal beam, etc. ...) a certificate must be obtained from a structural engineer.

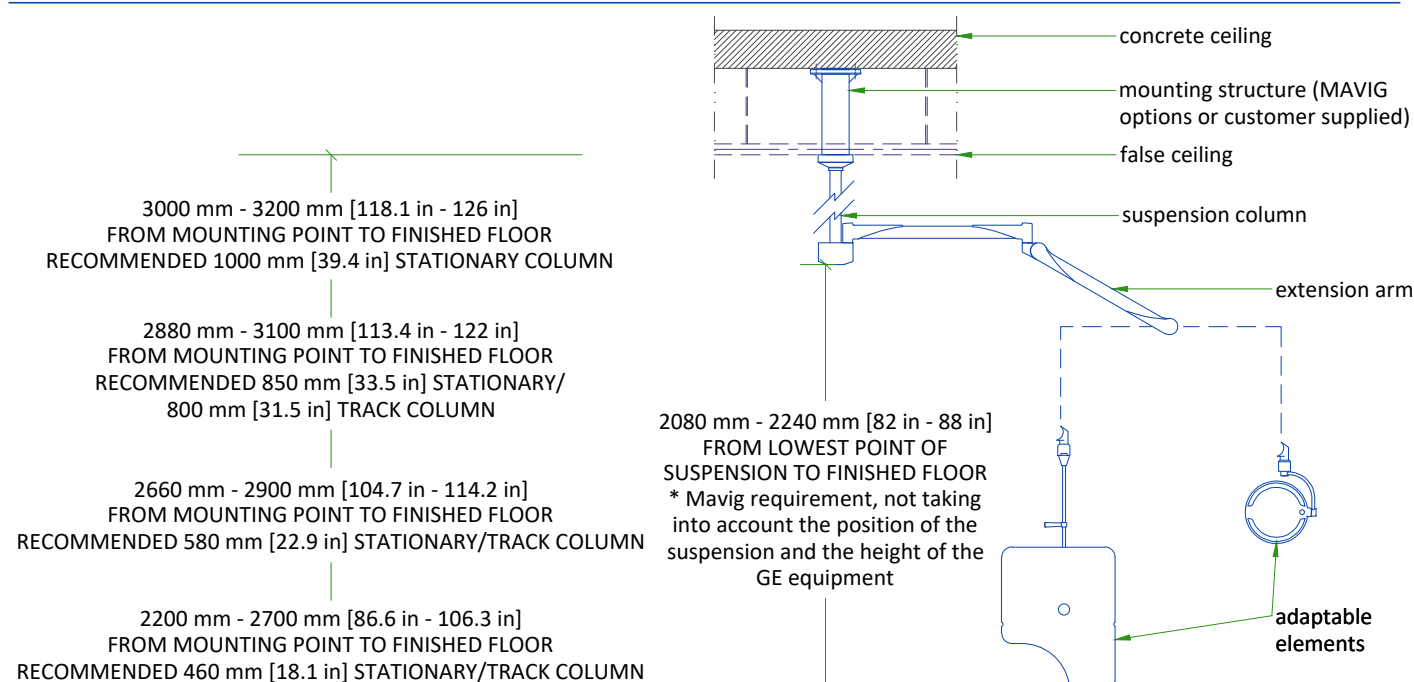
This certificate shall include the definition of fasteners and of their tightening torque, especially for the non-standard cases described in MAVIG PIM and for which the standard anchoring/screws delivered with product shall not be used but shall be defined (and implemented in most cases) by the structural company.

### WARNING:

It is prohibited to alter the length of the ceiling column or remove any securing screws.

Only applicable to  
Medrad/Bayer injectors with  
Mavig support structures.

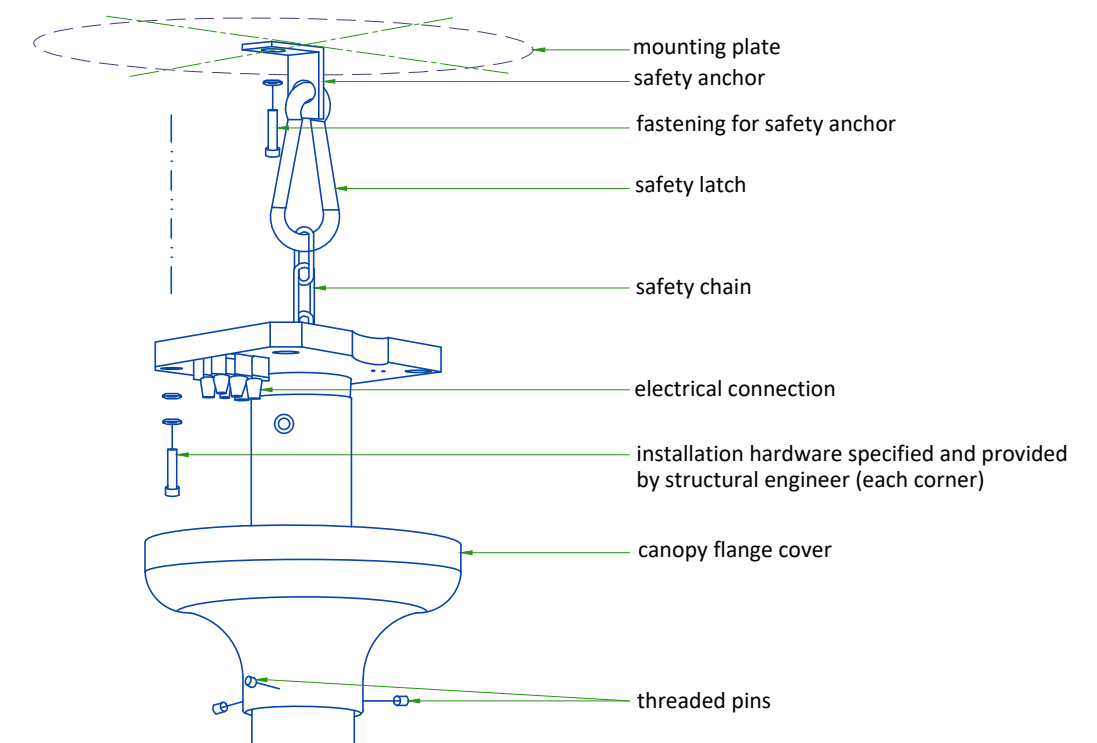
## SUSPENSION COLUMN LENGTHS AND INSTALLATION DETAILS



- Available column lengths might differ, please refer to the GE commercial catalog for current selection options
- For rooms with higher mounting point than 3200 mm [126 in], a ceiling construction between structural ceiling and vertical column is suggested which needs to be designed by a structural engineer
- All design and pre-installation activity must be done in accordance of the MAVIG Installation manual
- Contact your GE Project Manager for OEM documentation
- Installation of mounting plate performed by GE or a GE sub-contractor

NOT TO SCALE

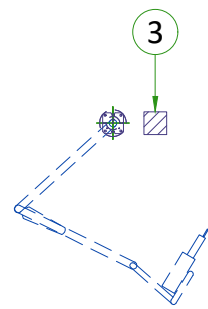
## PORTEGRA2 COLUMN ASSEMBLY



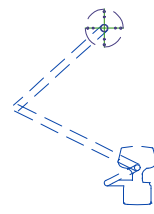
- Safety chain shall be always attached.
- Do not use shims between column and mounting surface.

All design and pre-installation activity must be done in accordance of the MAVIG Installation manual. Contact your GE Project Manager for OEM documentation. Installation of mounting plate performed by GE or a GE sub-contractor.

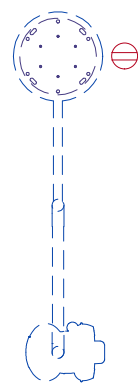
NOT TO SCALE



Medrad/Bayer injectors



EmpowerCTA injectors (wireless)



Ulrich CT motion injectors (wireless)

Typical

CT AND PET INJECTORS

EN-CT-TYP-INJECTORS-WEB.DWG

1/4"=1'-0"

Rev A | Date 30/Apr/2024 |

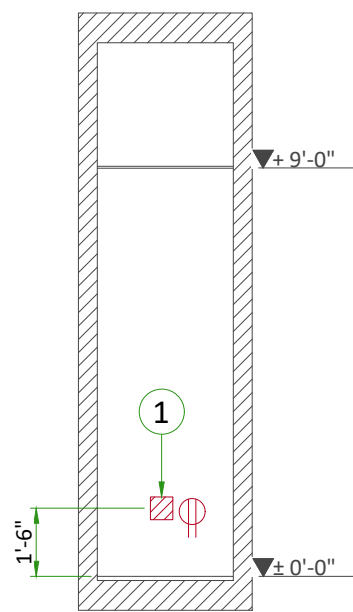
E2 - Electrical Layout

06/19

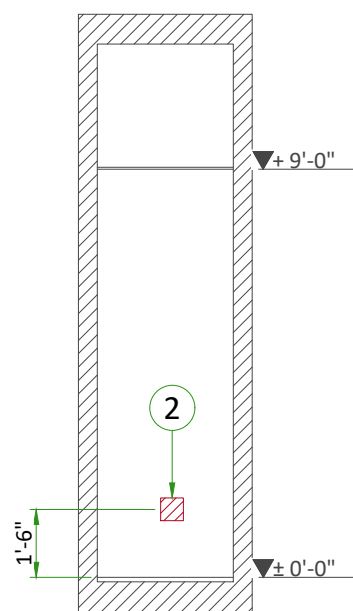
ITEM	DESCRIPTION
1	6" x 6" x 4" [150 x 150 x 100] box (Injector control)
2	6" x 6" x 4" [150 x 150 x 100] box (Injector)
3	6" x 6" x 4" [150 x 150 x 100] box above ceiling Injector)

ITEM	QTY	Outlet Legend for GE Equipment
Ⓢ		Duplex hospital grade, dedicated ceiling outlet 120-v, single phase power
Ⓣ		Duplex hospital grade, dedicated wall outlet 120-v, single phase power

Additional Conduit Runs (Contractor Supplied and Installed)				
From (Bubble # / Item)	To (Bubble # / Item)	Qty	Size	
			In.	mm
2-3 Injector	1 Injector Control	1	2 1/2	64



A



B