

# Drawing Index

These sheets are a document set and should not be separated. Electrical information and references are contained on all sheets.

SITE READINESS	C1
EQUIPMENT LAYOUT	A1
(Equipment locations, heat loads, component weights, environmental specs)	
STRUCTURAL LAYOUT	S1
(Structural support/mounting locations for floor/wall/ceiling, wall support elevations)	
STRUCTURAL DETAILS	S2
(Floor and Ceiling loading information)	
ELECTRICAL LAYOUT	E1
(Contractor supplied wiring, interconnect methods, junction point locations and descriptions)	
ELECTRICAL SPECIFICATIONS	E2
(Maximum wiring run lengths, interconnect diagram, system power specifications)	
ELECTRICAL DETAILS	E3
EQUIPMENT DETAILS	D1

These equipment IS drawings indicate the placement and interconnection of the listed equipment components. These drawings are not construction or site preparation drawings. Customer remains ultimately responsible for preparing the site to accommodate the IS and operation of such equipment in compliance with GE Healthcare's written specifications and all applicable federal, state, and/or local requirements.

## \* REQUIRED REFERENCE \*

Definium 5000  
Pre Installation Manual  
5192967-100

A mandatory component of this drawing set is the GE Healthcare Pre Installation manual. Failure to reference the preIS manual will result in incomplete documentation required for site design and preparation.

Pre Installation documents for GE Healthcare products can be accessed on the web at:

[www.gehealthcare.com/siteplanning](http://www.gehealthcare.com/siteplanning)

# GE Healthcare



## RAD Site Planning



imagination at work

## Customer Site Readiness Requirements

- Any deviation from these drawings must be communicated in writing to and reviewed by your local GE Healthcare Installation Project Manager prior to making changes.
- Make arrangements for any rigging, special handling, or facility modifications that must be made to deliver the equipment to the installation site. If desired, your local GE Healthcare Installation Project Manager can supply a reference list of rigging contractors.
- New construction requires the following; 1. Secure area for equipment, 2. Power for drills and other test equipment, 3. Capability for image analysis, 4. Restrooms.
- Provide for refuse removal and disposal (e.g. crates, cartons, packing)
- Contact a radiation physicist or consultant to specify radiation containment requirements.

## GE Equipment Delivery Requirements

The items on the GE Healthcare Site Readiness Checklist are REQUIRED to facilitate equipment delivery to the IS site. Equipment will not be delivered if these requirements are not satisfied.

GE Healthcare Site Readiness Checklist Rev 18					
<i>Before using this document ensure you have the latest Rev from MyWorkshop on D000422762</i>					
GEHC Global Order #:		Customer:			
GEHC PIM #:		FE / Installer:			
<b>The customer is responsible for proper site preparation regardless of any GBC measurements/inspections/assessments.</b>					
Item #	Inspection Date:	CRS Is ready?	PM Is ready?	FE Is ready?	Comments If "N", enter comments or action plan
1	<b>MRI Magnet Delivery Requirements:</b> Ensure oxygen venting system is designed and installed with objective evidence that it is compliant with the GEHC Pre-Installation Manual (PII) requirements, exhaust fan system is installed and operational, 480V power, and chilled water supply is available that meets system cooling requirements. External connectivity is available for magnet monitoring and phone service is available during delivery.				
2	<b>MRI Screen Room Requirements:</b> RI Screen Room is to be installed with objective evidence that it is compliant with GEHC specifications. <b>Do not install using 2-part anchors.</b> For MRI systems, blower beam dump to be installed by 2nd vendor using 2-part anchors.				
3	<b>State Regulatory Requirements:</b> Site Drawing Requirements: Final version of equipment installation drawings (including red lined version) verified to match actual room and has been provided to installer. X-ray shielding plan and state acknowledgment letter provided to installer for AR, DC, NC, SC, CO & WA.				
4	<b>Site Drawing Requirements:</b> Final version of equipment installation drawings (including red lined version) verified to match actual room and has been provided to installer.				
5	<b>Surface Penetration Requirements:</b> Customer/Contractor scheduled to provide required drilling or cutting into floor, ceiling, and walls; OR surface penetrations permit available and posted in the room where GEHC will perform the work.				
5	<b>Delivery Route Requirements:</b> The equipment delivery route from the truck to the final destination within the facility has been reviewed with all key stakeholders to safely meet the minimum requirements for equipment access, and all communications/notifications have occurred. Arrangements have been made for special handling (elevator, rigging, floor protectors, Park lift, or liftback truck, etc).				
5	<b>Finished Room Requirements:</b> Rooms that will contain equipment, including storage areas not in clean rooms, are dust-free. Protective sheets maintain a dust-free room. Precautions must be taken to prevent dust from entering rooms containing equipment when construction is incomplete in adjacent areas. All walls primed (final coat not needed on Day 1). No contractor work being done during or after the installation that will cause dust in the installation area or potential equipment damage. Room security to prevent unauthorized access and theft has been discussed with customer. The customer is aware of these security issues, implications and responsibility. For Storage Room must meet PIM requirements for storage.				
5	<b>Electrical Requirements:</b> Main Disconnect Panel (MDP) is installed and system power is available. Conduits, electrical cable (drying/desiccated/cable trays, and access flooring) is installed in proper location and height. Surface floor duct and lead-side wires can be installed at time of system installation.				
5	<b>HVAC Requirements:</b> The HVAC/Chilled Water systems designed to maintain the environment are running and appear to provide the desired environmental conditions (temperature and humidity) for system operation.				
5	<b>Flooring Requirements:</b> Floor is clean and prepared for final floor covering. Floor level flatness is measured and within tolerance, and there are no visible defects per GEHC specifications.				
5	<b>Ceiling Requirements:</b> Structure for equivalent (location, levelness and spacing) is measured for vendor confirmed and consistent with the requirement of the installation drawings. Ceiling grids installed. Permanent lighting is installed and operational. HVAC diffusers are installed and connected to ductwork. Ceiling tiles installed per PIM alterations.				

**GE Healthcare**

IS Services Design Center

Minneapolis, Wisconsin  
Copyright © 2009, General Electric Company — Proprietary to GE

SHEET TITLE: SITE READINESS  
MODALITY TYPE: DEFINIUM 5000

THIS PLAN IS SUBMITTED TO CURBEST LOCATION OF HEALTHCARE EQUIPMENT AND ASSOCIATED APPARATUS. ELECTRICAL WIRING DETAILS AND ROOM ARRANGEMENTS IN PREPARING THIS PLAN, EVERY EFFORT HAS BEEN MADE TO CONFORM DETAILS TO MANUFACTURER'S REQUIREMENTS. TO BE INSTALLED TO CONFORM TO THESE DETAILS, ALL CONSTRUCTION PROCESSES, ABOVE THE COMPANY, CANNOT ACCEPT RESPONSIBILITY FOR ANY DAMAGES RESULTING THEREFROM.

PROJECT TITLE:  
1-136f  
TYPICAL LAYOUT

PROJECT	REVISION
1-136f	03
DATE:	18.Apr.11
DRAWN BY:	REK
CHECKED BY:	JDR

REVISION HISTORY:


SHEET  
C1

GE EQUIPMENT LISTING

EQUIPMENT ON ORDER FROM GE HEALTHCARE, INSTALLED BY GE HEALTHCARE, PER : NEITHER A QUOTE OR CON WAS ISSUED AT THE DATE OF THESE DRAWINGS

NOTE: LOCAL CONDITIONS MAY DICTATE THAT ITEMS IDENTIFIED IN THIS CATEGORY BE INSTALLED BY OTHERS.

EQUIPMENT CROSS REFERENCE CHART  
 P = PREAPPROVAL  
 C = CALCULATIONS/PENDING APPROVAL  
 S = SPECIFICATIONS ONLY

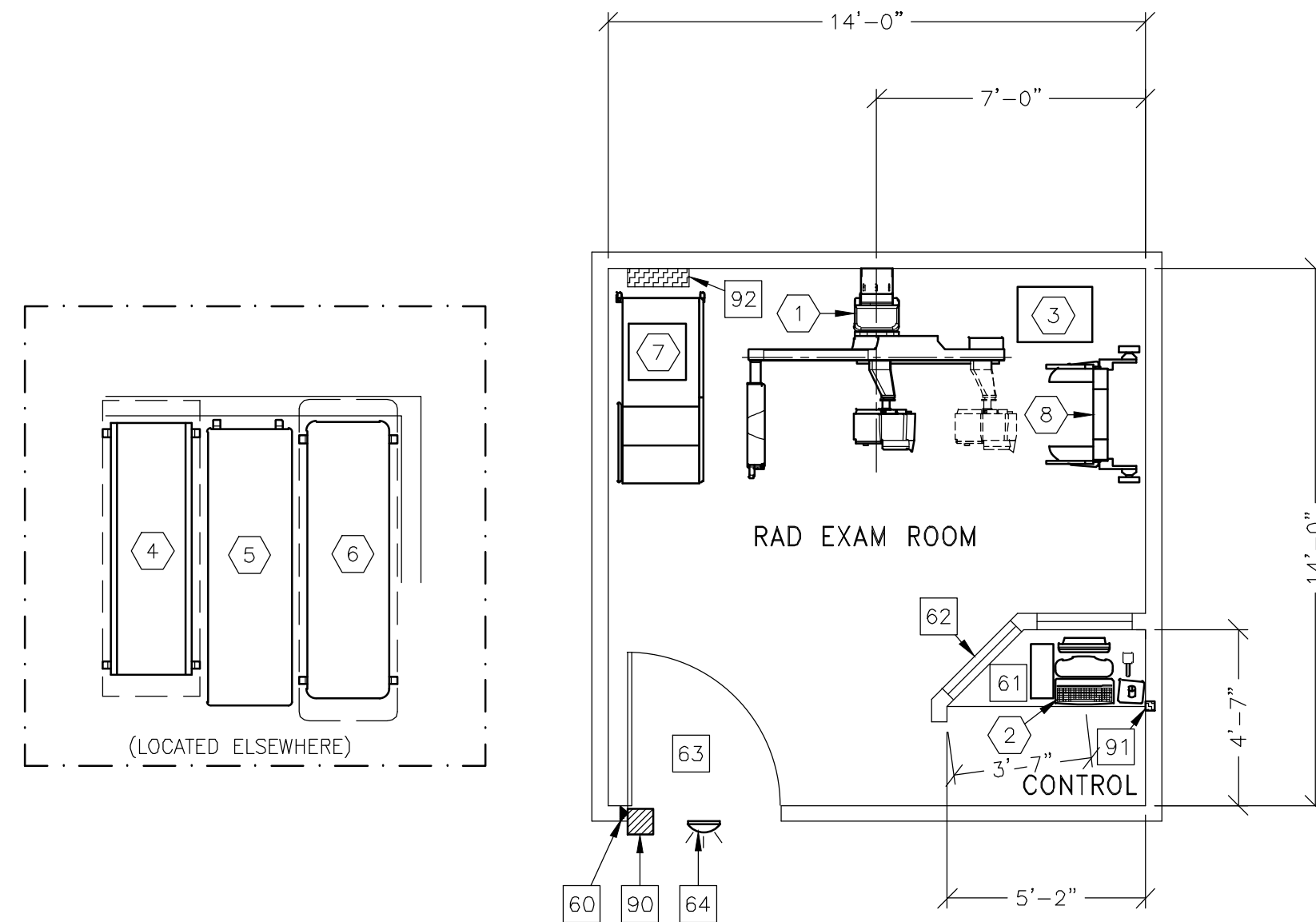
ITEM NO.	QUANTITY ORDERED	REFER TO SHEET "D"	ITEM DESCRIPTION (* = EXISTING/REINSTALL)	WEIGHT	HEAT OUTPUT (PER HOUR)	DETAIL NO.	STRC PLAN	ELEC PLAN
1	1		DEFINIUM POSITIONER	727 lbs	1013 kw	B5000C B5000S B5000T B5000H	-	DP
2	1		OPERATORS CONSOLE	55 lbs	3000 kw	C7617 C7502	-	OC
3	1		GENERATOR	339 lbs	805 kw	B5000	-	XG S
--- OPTIONAL ---								
4	1		LAMINATED TABLE	88 lbs		B5000B	-	-
5	1		DUNLEE ELEVATING TABLE	284 lbs			-	-
6	1		CARBON FIBER TABLE	72 lbs		B5000A	-	-
7	1		WEIGHT BEARING STAND	123 lbs		B30044	-	-
8	1		IMAGE PASTING BARRIER	200 lbs		B0557T	-	-

SCALE: 1/4" = 1'-0"

EQUIPMENT LAYOUT

RECOMMENDED CEILING HEIGHT = 9'-6"

This equipment layout indicates the placement and interconnection of the indicated equipment components. There may be federal, state, and/or local requirements that could impact the placement of these components. It remains the Customer's responsibility for ensuring the site and final equipment placement complies with all applicable federal, state, and/or local requirements.



ANCILLARY ITEMS

CUSTOMER/CONTRACTOR SUPPLIED AND INSTALLED ITEMS

ITEM NO.	ITEM DESCRIPTION (* INDICATES EXISTING)
60	DOOR LIMIT SWITCH <NEEDED ONLY IF REQUIRED BY STATE/LOCAL CODES>
61	COUNTER TOP FOR EQUIPMENT - MINIMUM DEPTH 24 IN. AND ADDITIONAL SHELVING MAY BE REQUIRED BELOW COUNTER TOP FOR PC TOWER. PROVIDE GRIMMETED OPENINGS AS REQUIRED TO ROUTE CABLES.
62	CONTROL WALL TO CEILING WITH LEAD GLASS VIEWING WINDOW.
63	MINIMUM DOOR OPENING FOR EQUIPMENT DELIVERY IS 40 IN. W x 80 IN. H (1016mm x 2030mm). CONTINGENT ON A 94.5 IN. (2400mm) CORRIDOR WIDTH. NOTE: IF IMAGE PASTE OPTION IS ORDERED A 82 IN. H (2083mm) DOOR OPENING IS REQUIRED.
64	X-RAY ON WARNING LIGHT - AVAILABLE FROM GE SUPPLY CALL: 800-200-9760 GE CAT. NO. WX1ABWV-DF-XIU

THE FOLLOWING ITEMS ARE AVAILABLE FROM GE HEALTHCARE TECHNOLOGIES. CONTACT YOUR LOCAL GE HEALTHCARE SERVICE REPRESENTATIVE FOR PRICING AND AVAILABILITY.

90	X-RAY ROOM WARNING LIGHT CONTROL PANEL REFERENCE JUNCTION POINT 'XRL' ON SHEET 'E1' FOR DETAILED DESCRIPTION -E4502RL FOR WARNING LIGHT CONTROL ONLY.
91	EMERGENCY OFF SWITCH <NEEDED ONLY IF REQUIRED BY STATE/LOCAL CODES>
92	MAIN DISCONNECT, REFERENCE JUNCTION POINT 'A' ON SHEET 'E1' FOR DETAILED DESCRIPTION. CAT. NO. E4502ST OR WITH AUTO RESTART E4502RP. (20 W x 48 H x 6.68 IN. D)

GENERAL SPECIFICATIONS

- o THE REQUIRED CEILING HEIGHT INDICATED ON THESE PLANS IS TO ENSURE EQUIPMENT FUNCTION IS NOT INHIBITED. CONSULT WITH YOUR LOCAL GEHC SPECIALIST REGARDING ACCEPTABILITY OF OTHER CEILING HEIGHTS.
- o CHECK ALL DOOR OPENINGS AND HALLWAYS FROM DELIVERY LOCATION TO WHERE EQUIPMENT IS TO BE INSTALLED TO ENSURE THE ROUTE PHYSICALLY AND STRUCTURALLY WILL ACCOMMODATE THE EQUIPMENT AS SHIPPED.
- o RADIATION PROTECTION REQUIREMENTS ARE NOT INDICATED ON THIS PLAN. WHERE NEEDED PER NATIONAL OR LOCAL CODE THEY SHALL BE SPECIFIED BY A QUALIFIED RADIOLOGICAL PHYSICIST.
- o THE DEVELOPMENT OF THE EQUIPMENT LAYOUT, ROOM DIMENSIONS, MECHANICAL AND ELECTRICAL SUGGESTIONS IS PREDICATED UPON THE BEST INFORMATION OBTAINABLE FROM THE SITE, COUPLED WITH THE CUSTOMER'S KNOWN DESIRES. ARCHITECTURAL OR ELECTRICAL CHANGES INCLUDING RELOCATION OF EQUIPMENT ILLUSTRATED ON THIS DRAWING IS ALLOWED ONLY WITH NOTIFICATION, IN WRITING, AND REVIEW BY GEHC SERVICE DEPARTMENT. EQUIPMENT OPERATION, SERVICEABILITY, AND RESTRICTING CABLE LENGTHS, ETC., MAKE THIS ESSENTIAL FOR A PROPER IS. GEHC RESERVES THE RIGHT TO MAKE ON THE JOB CHANGES BECAUSE OF CUSTOMER REQUIREMENTS AND/OR OBSTACLES IN CONSTRUCTION, ETC..
- o ALL WORK TO BE IN COMPLIANCE WITH NATIONAL AND LOCAL BUILDING SAFETY CODES.
- o DIMENSIONS ARE TO FINISHED SURFACES OF ROOM.

SITE ENVIRONMENT SPECIFICATIONS

- o AMBIENT OPERATING TEMPERATURE: 59 TO 95 DEGREES (F)
- o HUMIDITY: 45 TO 75 PERCENT NON-CONDENSING
- o ATMOSPHERIC PRESSURE: MIN.=710hpa MAX.=1025hpa
- o THE ENVIRONMENT FOR THE ELECTRONICS CABINET MUST BE CONTROLLED SO THE ABOVE RESTRICTIONS ARE NOT EXCEEDED.
- o DO NOT RESTRICT THE AIR INTAKE AT THE LOWER FRONT OR AIR EXHAUST AT THE TOP OF THE ELECTRONICS CABINETS.

MAGNETIC INTERFERENCE SPECIFICATIONS

IMAGE INTENSIFIERS MUST BE LOCATED IN AMBIENT STATIC MAGNETIC FIELDS OF LESS THAN 1 GAUSS TO GUARANTEE SPECIFIED IMAGING PERFORMANCE.  
 X-RAY TUBES MUST BE LOCATED IN AMBIENT STATIC MAGNETIC FIELDS OF LESS THAN 10 GAUSS TO GUARANTEE SPECIFIED PERFORMANCE.  
 SYSTEM ELECTRONICS MUST BE LOCATED IN AMBIENT STATIC MAGNETIC FIELDS OF LESS THAN 10 GAUSS TO GUARANTEE DATA INTEGRITY.  
 OPERATORS CONSOLE EQUIPMENT MUST BE LOCATED IN AMBIENT STATIC MAGNETIC FIELDS OF LESS THAN 10 GAUSS TO OBTAIN SPECIFIED GEOMETRIC LINEARITY.

THE FOLLOWING ITEMS, WHICH HAVE BEEN ORDERED FROM GE HEALTHCARE, ARE TO BE INSTALLED BY THE CUSTOMER OR HIS CONTRACTOR.

GE Healthcare  
 IS Services Design Center  
 Milwaukee, Wisconsin

SHEET TITLE: EQUIPMENT LAYOUT  
 MODALITY TYPE: DEFINIUM 5000  
 THIS PLAN IS SUBMITTED TO GUARANTEE LOCATION OF GE HEALTHCARE EQUIPMENT AND ASSOCIATED APPARATUS. ELECTRICAL WIRING DETAILS AND ROOM ARRANGEMENTS IN PREPARING THIS PLAN, EVERY EFFORT HAS BEEN MADE TO CONFORM TO DETAILS AND INSTRUCTIONS PROVIDED TO BE INSTALLED. THE COMPANY WILL NOT BE RESPONSIBLE FOR ANY DAMAGES RESULTING THEREFROM.

PROJECT TITLE:  
 1-136f  
 TYPICAL LAYOUT

PROJECT	REVISION
1-136f	03

DATE: 18.Apr.11  
 DRAWN BY: REK  
 CHECKED BY: JDR

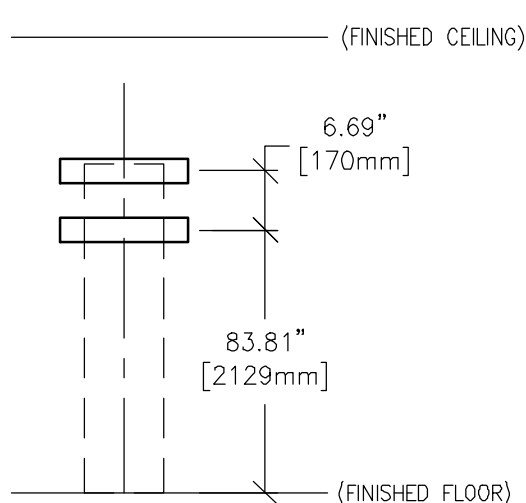
REVISION HISTORY:


SHEET  
 A1



TYPICAL WALL SUPPORT ELEVATIONS

S122



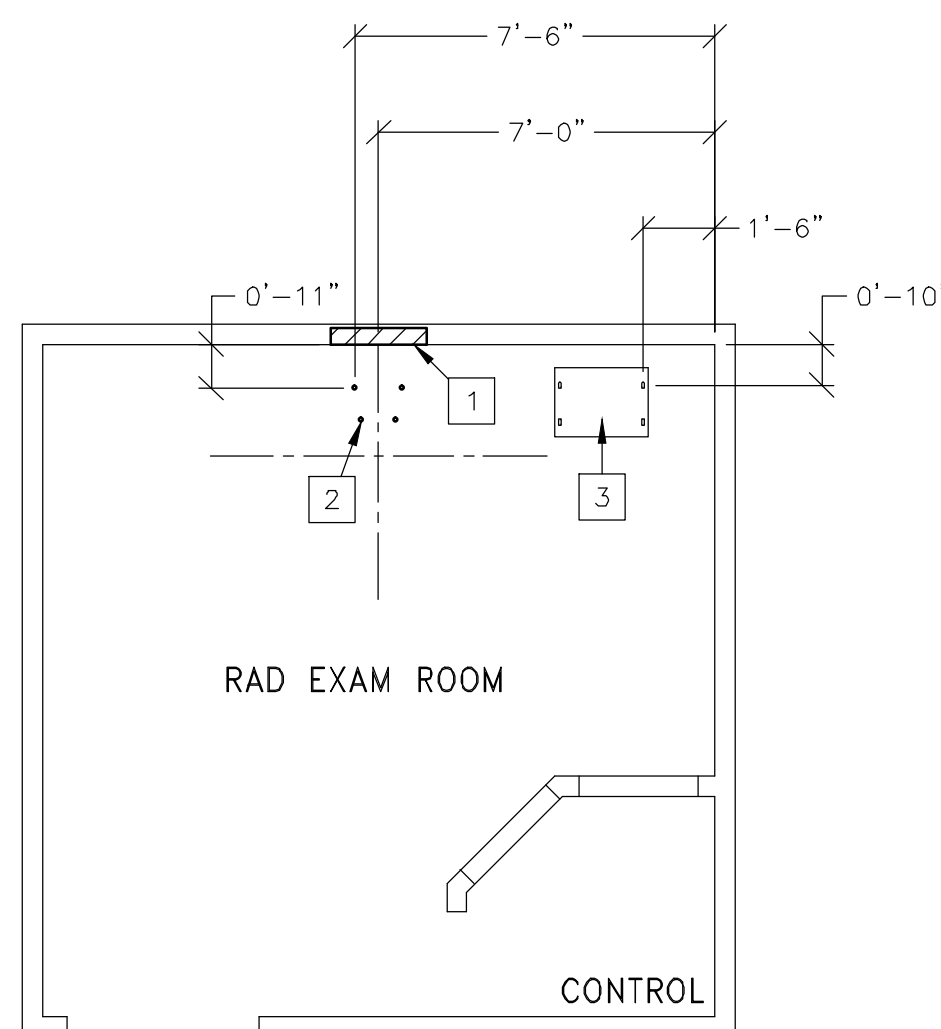
SUPPORT FOR POSITIONER

(NOT TO SCALE)

SCALE: 1/4" = 1'-0"

STRUCTURAL LAYOUT

RECOMMENDED CEILING HEIGHT = 9'-6"



STRUCTURAL SUPPORT METHODS

CUSTOMER/CONTRACTOR SUPPLIED AND INSTALLED ITEMS

ITEM NO.	ITEM DESCRIPTION (* INDICATES EXISTING)
1	SUPPORT BACKING, LOCATE AS SHOWN, REFER TO ELEVATION DETAIL S122 AND B5000 ON S2 SHEET FOR POSITIONER. OR UNISTRUT OR EQUIVALENT ON WALL FOR FASTENING POSITIONER MOUNTING PLATE. REFER TO ELEVATION DETAIL S122 AND B5000 ON S2 SHEET FOR POSITIONER.
2	FLOOR MOUNTING LOCATIONS FOR POSITIONER. SEE DETAIL B5000 ON SHEET S2.
3	FLOOR MOUNTING LOCATION FOR GENERATOR CABINET. SEE DETAIL B5000 ON SHEET S2.

STRUCTURAL NOTES

- ALL STEEL WORK AND PARTS NECESSARY TO SUPPORT CEILING MOUNTED TUBE HANGER OR OTHER EQUIPMENT ARE TO BE SUPPLIED BY THE CUSTOMER OR HIS CONTRACTORS. THE UNISTRUT OR EQUIVALENT STRUCTURE SHOULD RUN CONTINUOUS WITH NO FITTINGS EXTENDING BELOW FACE OF UNISTRUT CHANNEL, RUN WALL TO WALL, BE PARALLEL, SQUARE AND IN THE SAME HORIZONTAL PLANE FLUSH WITH FINISHED CEILING. THE SYSTEM IS TO BE CROSS BRACED VERTICALLY, HORIZONTALLY AND DIAGONALLY TO ALLOW NO MOVEMENT AND A MAXIMUM OF 1.58mm (1/16") DEFLECTION.  
**(10) 12.7mm (1/2") DIA. x 38.1mm (1 1/2") LONG BOLTS WITH UNISTRUT 12.7mm (1/2") NUTS WITH SPRINGS ARE TO BE PROVIDED BY CUSTOMER OR HIS CONTRACTORS FOR EACH STATIONARY AND AUXILIARY SUPPORT RAIL. CLOSURE STRIPS SHALL BE PROVIDED FOR AREAS OF UNISTRUT EXPOSED AND WITHOUT MOUNTING UNITS.**
- METHODS OF SUPPORT FOR THE STEELWORK THAT WILL PERMIT ATTACHMENT TO STRUCTURAL STEEL OR THROUGH BOLTS IN CONCRETE CONSTRUCTION SHOULD BE FAVORED. DO NOT USE CONCRETE OR MASONRY ANCHORS IN DIRECT TENSION.
- ALL UNITS THAT ARE WALL MOUNTED OR WALL SUPPORTED ARE TO BE PROVIDED WITH SUPPORTS WHERE NECESSARY. WALL SUPPORTS ARE TO BE SUPPLIED AND INSTALLED BY THE CUSTOMER OR HIS CONTRACTORS. SEE PLAN AND DETAIL SHEETS FOR SUGGESTED LOCATIONS AND MOUNTING HOLE LOCATIONS.
- ALL CEILING MOUNTED FIXTURES, AIR VENTS, SPRINKLERS, ETC. TO BE FLUSH MOUNTED, OR SHALL NOT EXTEND MORE THAN 6.35mm (1/4") BELOW THE FINISHED CEILING.
- CONTROL WALLS WITH TUBE HANGER PASSAGE ABOVE SHALL BE CONSTRUCTED TO 2130mm (7'-0") HIGH.
- FLOOR SLABS ON WHICH EQUIPMENT IS TO BE INSTALLED MUST BE LEVEL TO 3.17mm (1/8") IN 3050mm (10'-0")
- DIMENSIONS ARE TO FINISHED SURFACES OF ROOM.
- CUSTOMERS CONTRACTOR MUST PROVIDE ALL PENETRATIONS IN POST TENSION FLOORS.
- CUSTOMERS CONTRACTOR MUST PROVIDE AND INSTALL ANY NON-STANDARD ANCHORING. DOCUMENTS FOR STANDARD ANCHORING METHODS ARE INCLUDED WITH GE EQUIPMENT DRAWINGS FOR GEOGRAPHIC AREAS THAT REQUIRE SUCH DOCUMENTATION.
- CUSTOMERS CONTRACTOR MUST PROVIDE AND INSTALL HARDWARE FOR "THROUGH THE FLOOR" ANCHORING AND/OR ANY BRACING UNDER ACCESS FLOORS. THIS CONTRACTOR MUST ALSO PROVIDE FLOOR DRILLING THAT CANNOT BE COMPLETED BECAUSE OF AN OBSTRUCTION ENCOUNTERED WHILE DRILLING BY THE GE INSTALLER SUCH AS REBAR ETC.
- IT IS THE CUSTOMER'S RESPONSIBILITY TO PERFORM ANY FLOOR OR WALL PENETRATIONS THAT MAY BE REQUIRED. THE CUSTOMER IS ALSO RESPONSIBLE FOR ENSURING THAT NO SUBSURFACE UTILITIES (E.G., ELECTRICAL OR ANY OTHER FORM OF WIRING, CONDUITS, PIPING, DUCT WORK OR STRUCTURAL SUPPORTS (I.E. POST TENSION CABLES OR REBAR)) WILL INTERFERE OR COME IN CONTACT WITH SUBSURFACE PENETRATION OPERATIONS (E.G. DRILLING AND INSTALLATION OF ANCHORS/SCREWS) PERFORMED DURING THE INSTALLATION PROCESS. TO ENSURE WORKER SAFETY, GE INSTALLERS WILL PERFORM SURFACE PENETRATION OPERATIONS ONLY AFTER THE CUSTOMER'S VALIDATION AND COMPLETION OF THE "GE SURFACE PENETRATION PERMIT"

SHEET TITLE: STRUCTURAL LAYOUT

MODALITY TYPE: DEFINUM 5000

THIS PLAN IS SUBMITTED TO SURVEY LOCATION OF GE HEALTHCARE EQUIPMENT AND ASSOCIATED ELECTRICAL WIRING DETAILS AND ROOM ARRANGEMENTS IN PREPARING THIS PLAN, EVERY EFFORT HAS BEEN MADE TO CONFORM DETAILS TO THE MANUFACTURER'S REQUIREMENTS. HOWEVER, THE COMPANY CANNOT ACCEPT LIABILITY FOR ANY DAMAGES RESULTING THEREFROM.

PROJECT TITLE:

1-136f  
TYPICAL LAYOUT

PROJECT	REVISION
1-136f	03

DATE: 18.Apr.11  
DRAWN BY: REK  
CHECKED BY: JDR

REVISION HISTORY:

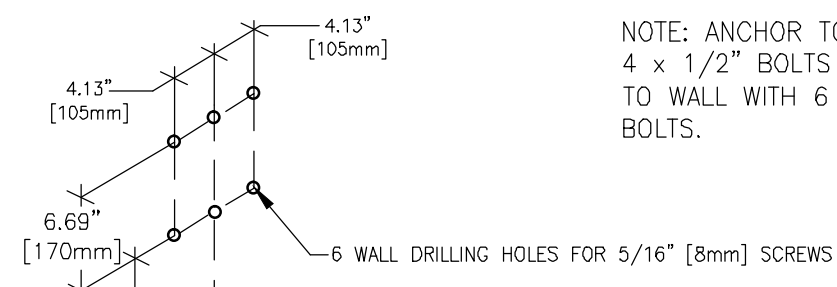
\_\_\_\_\_  
\_\_\_\_\_  
\_\_\_\_\_

SHEET

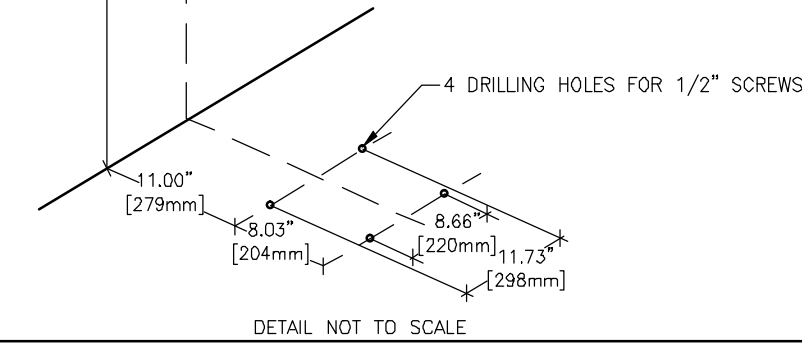
S1

SUPPORT DETAIL  
ANCHORING HOLES FOR POSITIONER

B5000D  
REV. DATE: 05/14/08



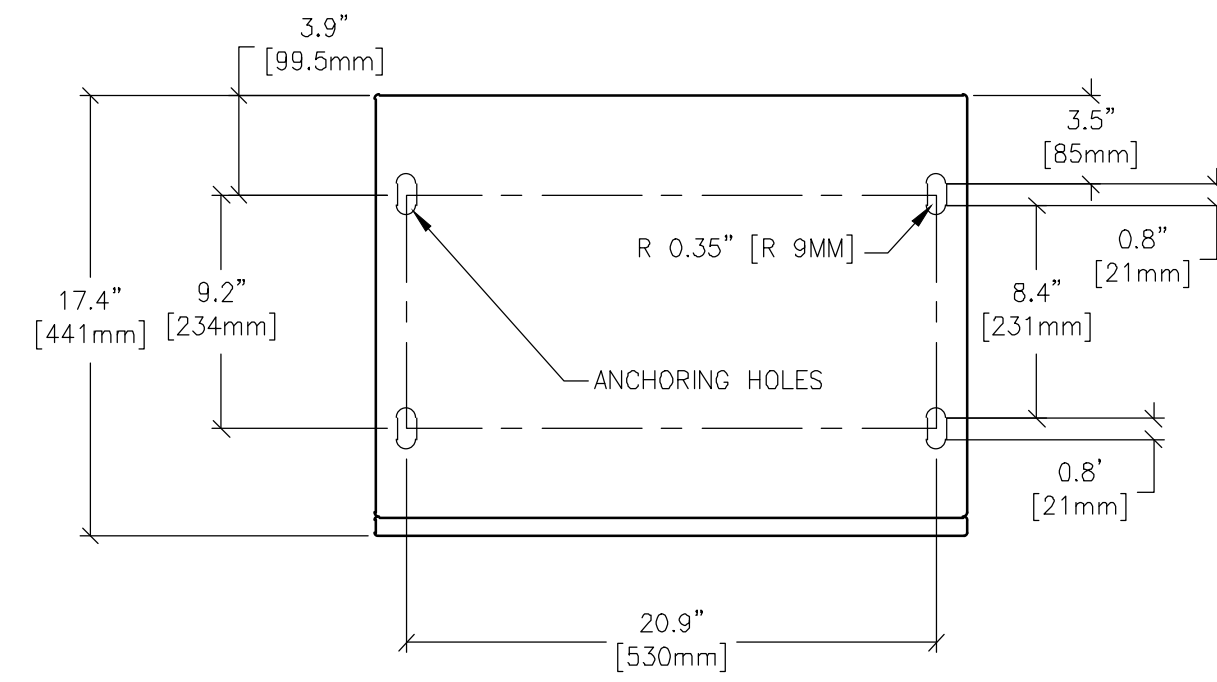
NOTE: ANCHOR TO FLOOR WITH 4 x 1/2" BOLTS AND ANCHOR TO WALL WITH 6 x MB (5/16") BOLTS.



DETAIL NOT TO SCALE

SUPPORT DETAIL  
ANCHORING HOLES FOR GENERATOR

B5000G  
REV. DATE: 05/01/07



NOTE: FREE STANDING OR ANCHOR TO FLOOR WITH 4 X M8 (5/16") BOLTS.

BASE OF GENERATOR

DETAIL NOT TO SCALE

SHEET TITLE: STRUCTURAL DETAILS  
MODALITY TYPE: DEFINIUM 5000

THIS PLAN IS SUBMITTED TO SUBMIT LOCATION OF GE HEALTHCARE EQUIPMENT AND ASSOCIATED APPARATUS ELECTRICAL WIRING DETAILS AND ROOM ARRANGEMENTS IN PREPARING THIS PLAN, EVERY EFFORT HAS BEEN MADE TO CONFORM DETAILS TO THE SPECIFICATIONS AND TO BE INSTALLED TO CONFORM TO THE LOCAL ELECTRICAL CODES AND ALL CONSTRUCTION PURPOSES. HOWEVER, THE COMPANY CANNOT ACCEPT RESPONSIBILITY FOR ANY DAMAGES RESULTING THEREFROM.

PROJECT TITLE:  
1-136f  
TYPICAL LAYOUT

PROJECT	REVISION
1-136f	03

DATE: 18.Apr.11  
DRAWN BY: REK  
CHECKED BY: JDR

REVISION HISTORY:  
\_\_\_\_\_  
\_\_\_\_\_  
\_\_\_\_\_

SHEET  
S2

PIM R7

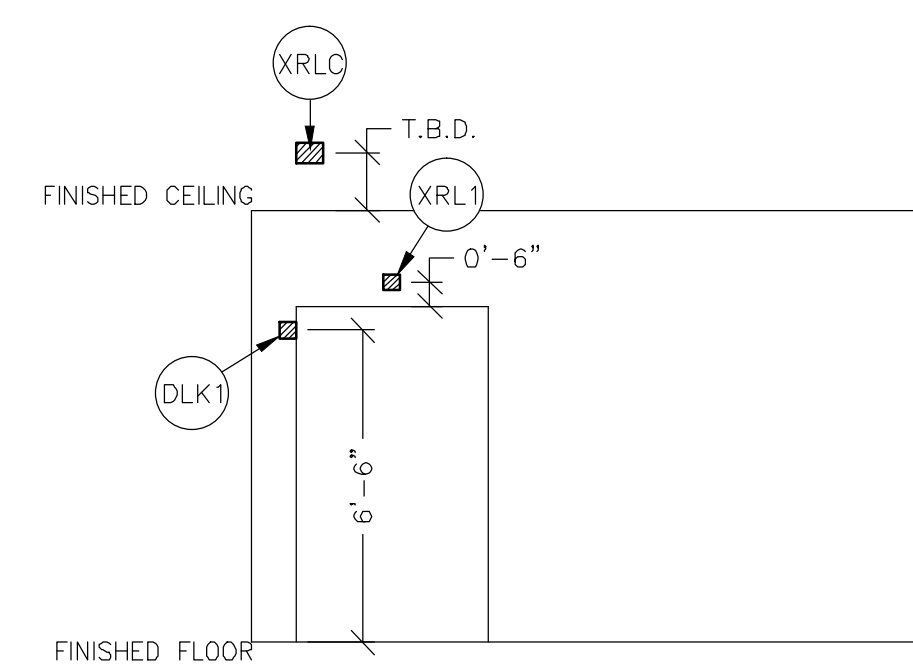
GE Healthcare  
IS Services Design Center  
Milwaukee, Wisconsin

SCALE: 1/4" = 1'-0"

ELECTRICAL PLAN

RECOMMENDED CEILING HEIGHT = 9'-6"

JUNCTION POINT DESCRIPTIONS



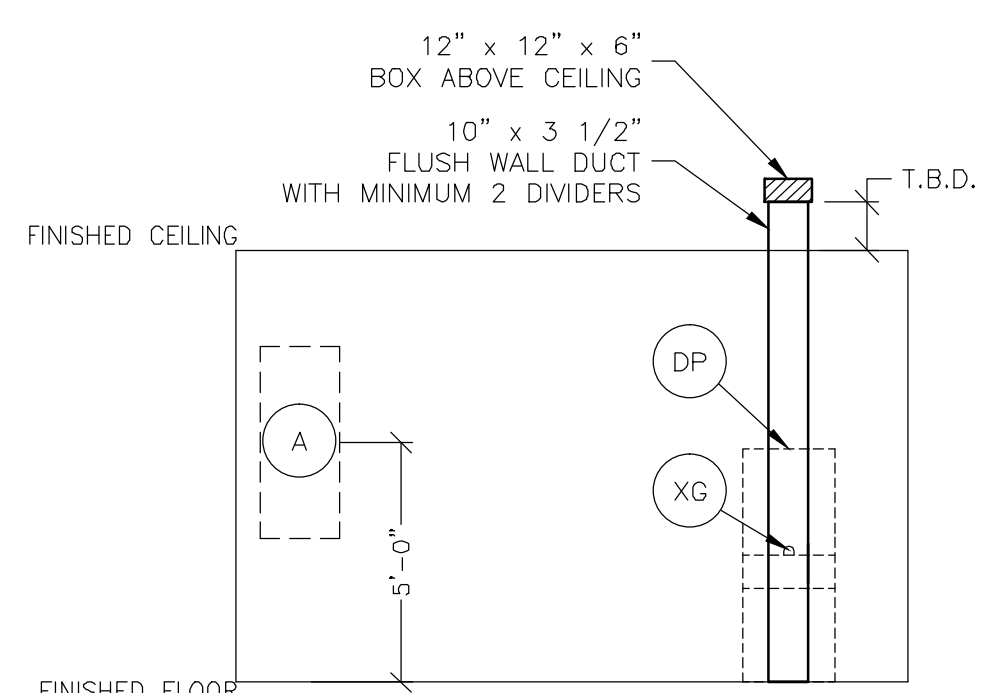
- ELECTRICAL OUTLET LEGEND**  
 CUSTOMER/CONTRACTOR SUPPLIED AND INSTALLED ITEMS. HEIGHT ABOVE FLOOR DETERMINED BY LOCAL CODES UNLESS OTHERWISE SPECIFIED.
- Ⓧ DUPLEX HOSPITAL GRADE, DEDICATED OUTLET 120-V, SINGLE PHASE POWER
  - Ⓧ DEDICATED TELEPHONE LINE(S) (SEE ELECTRICAL DETAIL ELEC-1 OR ELEC-67)
  - Ⓧ NETWORK OUTLET (SEE ELECTRICAL DETAILS ELEC-83 AND ELEC-84 OR ELEC-87)

- DUCT HATCHING LEGEND**
- ▨ ABOVE CEILING DUCT
  - ▩ UNDER FLOOR DUCT
  - ▧ TRENCH DUCT (FLUSH FLOOR)
  - ▤ SURFACE FLOOR DUCT
  - ▦ CABLE TRAY
  - ABOVE CEILING CONDUIT
  - BELOW FLOOR CONDUIT

- JUNCTION POINT NOTES**
- o ALL JUNCTION BOXES, CONDUIT, DUCT, DUCT DIVIDERS, SWITCHES, CIRCUIT BREAKERS, ETC., ARE TO BE SUPPLIED AND INSTALLED BY CUSTOMER'S ELECTRICAL CONTRACTOR.
  - o CONDUIT AND DUCT RUNS SHALL HAVE SWEEP RADIUS BENDS.
  - o CONDUITS AND DUCT ABOVE CEILING OR BELOW FINISHED FLOOR MUST BE INSTALLED AS NEAR TO CEILING OR FLOOR AS POSSIBLE TO REDUCE RUN LENGTH.
  - o CEILING MOUNTED JUNCTION BOXES ILLUSTRATED ON THIS PLAN MUST BE INSTALLED FLUSH WITH FINISHED CEILING.
  - o ALL DUCTWORK MUST MEET THE FOLLOWING REQUIREMENTS:
    1. DUCTWORK SHALL BE METAL WITH DIVIDERS AND HAVE REMOVABLE, ACCESSIBLE COVERS.
    2. DUCTWORK SHALL BE CERTIFIED/RATED FOR ELECTRICAL POWER PURPOSES.
    3. DUCTWORK SHALL BE ELECTRICALLY AND MECHANICALLY BONDED TOGETHER IN AN APPROVED MANNER.
    4. PVC AS A SUBSTITUTE MUST BE USED IN ACCORDANCE WITH ALL LOCAL AND NATIONAL CODES.
  - o ALL OPENINGS IN ACCESS FLOORING ARE TO BE CUT OUT AND FINISHED OFF WITH GROMMET MATERIAL BY THE CUSTOMER'S CONTRACTOR.
  - o GENERAL CONTRACTOR TO INSERT PULL CORDS FOR ALL CABLE RUN CONDUITS BETWEEN THE EQUIPMENT ROOM AND THE OPERATORS CONTROL ROOM.
  - o 10 FOOT PIGTAILS AT ALL JUNCTION POINTS.
  - o ALL WIRING MUST BE THIN OR TFFN STRANDED COPPER THERMOPLASTIC 600 VOLT OR EQUIVALENT INSULATION. **ALUMINUM OR SOLID WIRES ARE NOT ALLOWED.**
  - o GROUNDING IS CRITICAL TO EQUIPMENT FUNCTION AND PATIENT SAFETY. SITE MUST CONFORM TO WIRING SPECIFICATIONS SHOWN ON THIS PLAN.

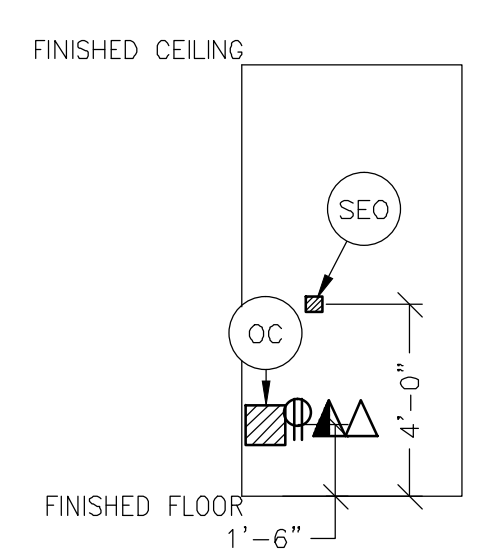
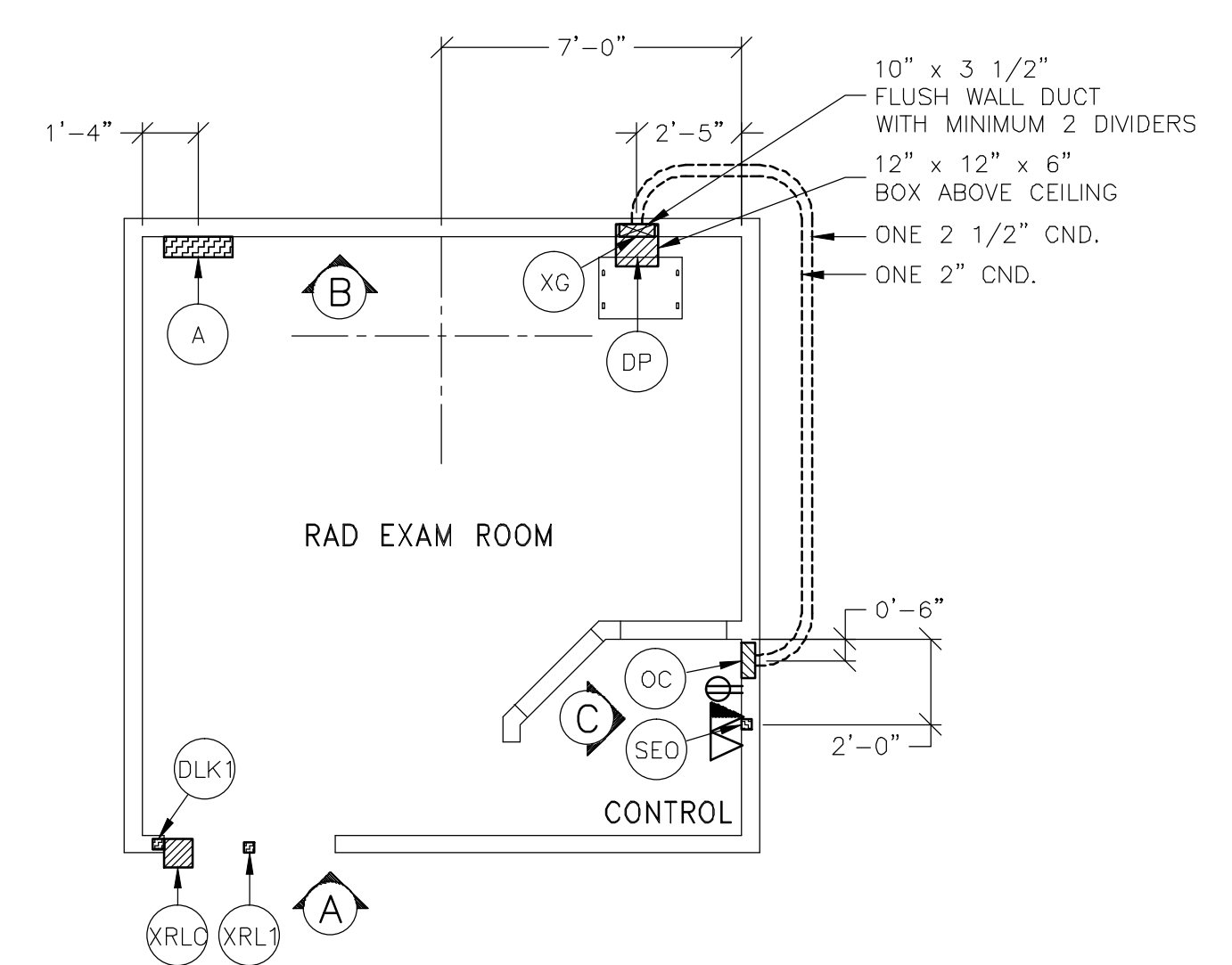
POINT	DESCRIPTION	QTY.	THE FOLLOWING MATERIALS ARE TO BE SUPPLIED AND INSTALLED BY THE CUSTOMER'S ELECTRICAL CONTRACTOR	
			HARDWARE	DETAIL NO., SHT. E3
A	MAIN DISCONNECT AVAILABLE FROM GEMSG. CALL 800-558-5102 OR LOCAL PROJECT MGR.	1	80-AMP CIRCUIT BREAKER PANEL WITH AUTO RESTART FEATURE-E4502RFP. ONE REMOTE EMERGENCY OFF (SEO) PUSHBUTTON AND STAINLESS STEEL WALL PLATE STATION ARE WITH EACH MAIN DISCONNECT	ELEC-15
DLK1	DOOR SWITCH (NEEDED ONLY IF REQUIRED BY STATE/LOCAL CODES)	1	ROOM DOOR INTERLOCK LIMIT SWITCH IN FRAME - NORMALLY OPEN (24V)	ELEC-79
DP	DEFINIUM POSITIONER	1	CONNECT EXTERNALLY TO XG IN NYLON SLEEVE	
OC	OPERATORS CONSOLE	1	1/2 IN. DIA. CHASE NIPPLE 1 SPLIT COVERPLATE 10 X 10 X 4 IN. BOX WITH DIVIDER	ELEC-79
SEO	EMERGENCY OFF	1	PROVIDE A SINGLE GANG, 2 1/2 IN. DEEP, FLUSH MTD. WALL BOX.	ELEC-16 ELEC-16B
XG	GENERATOR	1	1/2 IN. OF GROMMET MATERIAL FOR A 3 X 3 IN. OPENING IN DUCT COVER	ELEC-2 ELEC-6
		2	1 1/2 IN. 90 DEGREE CONNECTOR	
		1	16 FT. LENGTH OF 1 1/2 IN. FLEXIBLE METAL CONDUIT	
XRL1	WARNING LIGHT	1	SINGLE GANG BOX X-RAY ON INCANDESCENT LIGHT FIXTURE. 24V, 8 AMP OR LESS LOW VOLTAGE SOURCE. DO NOT USE FLUORESCENT FIXTURES.	
XRLC	WARNING LIGHT CONTROLLER AVAILABLE FROM GEMSG. CALL 800-558-5102 OR LOCAL GE INSTALLATION PROJECT MGR.	1	E4502RL WARNING LIGHT CONTROL OR EQUIVALENT MAX 24V CONTROLLER	ELEC-72

A



B

PLEASE SEE BELOW FOR ADDITIONAL REQUIRED CONDUIT RUNS AND SIZES.



C

DEFINIUM 5000 65kw SYSTEMS CABINET REV. DATE: 01/12/09

- CALCULATIONS BASED UPON NOMINAL VOLTAGE, WIRE SIZE IN AWG.
- RECOMMENDED FEEDER SIZES FROM DISTRIBUTION TRANSFORMER TO THE POWER CABINET
- NEUTRAL MUST BE TERMINATED INSIDE THE MAIN DISCONNECT PANEL AND NOT AT ANY OE CABINET.
- THE GROUNDING CONDUCTOR WILL BE OF SAME SIZE AS THE FEEDER WITH A 4 AWG. MINIMUM AUTO-RESTART REQUIRES A 3 AWG. MINIMUM FEEDER AND GROUND. THIS GROUND WILL RUN FROM THE MDP BACK TO THE FACILITY POWER SOURCE/MAIN GROUNDING POINT AND ALWAYS TRAVEL IN THE SAME CONDUIT WITH THE FEEDERS AND NEUTRAL.
- MINIMUM WIRE SIZE FOR CIRCUIT BREAKER, BASED ON RECOMMENDED OVERCURRENT PROTECTION.
- FOR A FULL SYSTEM UPS, REFER TO ELECTRICAL DETAILS FOR UPS FEEDER WIRES.

RUN LENGTH IN FEET	POWER SUPPLY VOLTAGE							
	80 AMP BREAKER				90 AMP AUTO-RESTART BREAKER			
	360-440 400		432-528 480		360-440 400		432-528 480	
	FEEDER	GROUND	FEEDER	GROUND	FEEDER	GROUND	FEEDER	GROUND
50	* 4	(4)	* 4	(4)	* 3	(3)	* 3	(3)
100	* 4	(4)	* 4	(4)	* 3	(3)	* 3	(3)
150	2	(2)	* 4	(4)	2	(2)	* 3	(3)
200	1	(1)	2	(2)	1	(1)	2	(2)
250	2/0	(2/0)	1	(1)	2/0	(2/0)	1	(1)
300	2/0	(2/0)	1/0	(1/0)	2/0	(2/0)	1/0	(1/0)
350	3/0	(3/0)	2/0	(2/0)	3/0	(3/0)	2/0	(2/0)
400	4/0	(4/0)	3/0	(3/0)	4/0	(4/0)	3/0	(3/0)
450	250M	(250M)	3/0	(3/0)	250M	(250M)	3/0	(3/0)

ADDITIONAL CONDUIT RUNS FOR DEFINIUM 5000 (BY CONTRACTOR)

CONDUITS REQUIRED FOR BASE SYSTEM (CONDUITS ARE LOCATED ABOVE CEILING)

	TO	FROM	QTY.	REMARKS
XRLC	TO	XRL1	ONE 1/2" CND.	
XRLC	TO	XG	ONE 1/2" CND.	
XRLC	TO	120-V 1 <sup>Ø</sup> POWER	CND. AS REQ'D	
A	TO	XG	ONE CND. AS REQ'D	
A	TO	SEO	ONE 1/2" CND.	
A	TO	FEEDER	ONE CND. AS REQ'D	
DLK1	TO	XG	ONE 1/2" CND.	

NOTE: SEE E2 PAGE FOR MAXIMUM RUN LENGTHS

CONTRACTOR SUPPLIED AND INSTALLED WIRING  
 ELECTRICAL CONTRACTOR SHALL RING OUT AND TAG ALL WIRES AT BOTH ENDS.

WIRE RUN, FROM - TO	QUANTITY, WIRE SIZE/COLOR
XG > XRLC	2-ND 14 BLACK, 2-ND 14 RED
XRLC > 1 PHASE	1-ND 14 BLACK, 1-ND 14 GREEN
A > SEO	1-ND 14 BLACK, 1-ND 14 GREEN
XRL1 > XRLC	1-ND 14 BLACK, 1-ND 14 GREEN
480-V > A	3-BLACK, 1-GREEN - REFER TO FEEDER TABLE
A > XG	3-BLACK, 1-GREEN - REFER TO FEEDER TABLE (<#2 AWG MAX)

GE Healthcare  
 IS Services Design Center  
 Milwaukee, Wisconsin

SHEET TITLE: ELECTRICAL LAYOUT  
 MODALITY TYPE: DEFINIUM 5000

THIS PLAN IS SUBMITTED TO GE HEALTHCARE EQUIPMENT AND ASSOCIATED APPARATUS. ELECTRICAL WIRING DETAILS AND ROOM ARRANGEMENTS IN PREPARING THIS PLAN, EVERY EFFORT HAS BEEN MADE TO CONFORM TO DETAILS AND SPECIFICATIONS. GE HEALTHCARE EQUIPMENT AND ASSOCIATED APPARATUS WILL BE USED FOR ACTUAL CONSTRUCTION PURPOSES. GE HEALTHCARE EQUIPMENT AND ASSOCIATED APPARATUS CANNOT ACCEPT RESPONSIBILITY FOR ANY DAMAGES RESULTING THEREFROM.

PROJECT TITLE:  
 1-136f  
 TYPICAL LAYOUT

PROJECT: 1-136f  
 REVISION: 03

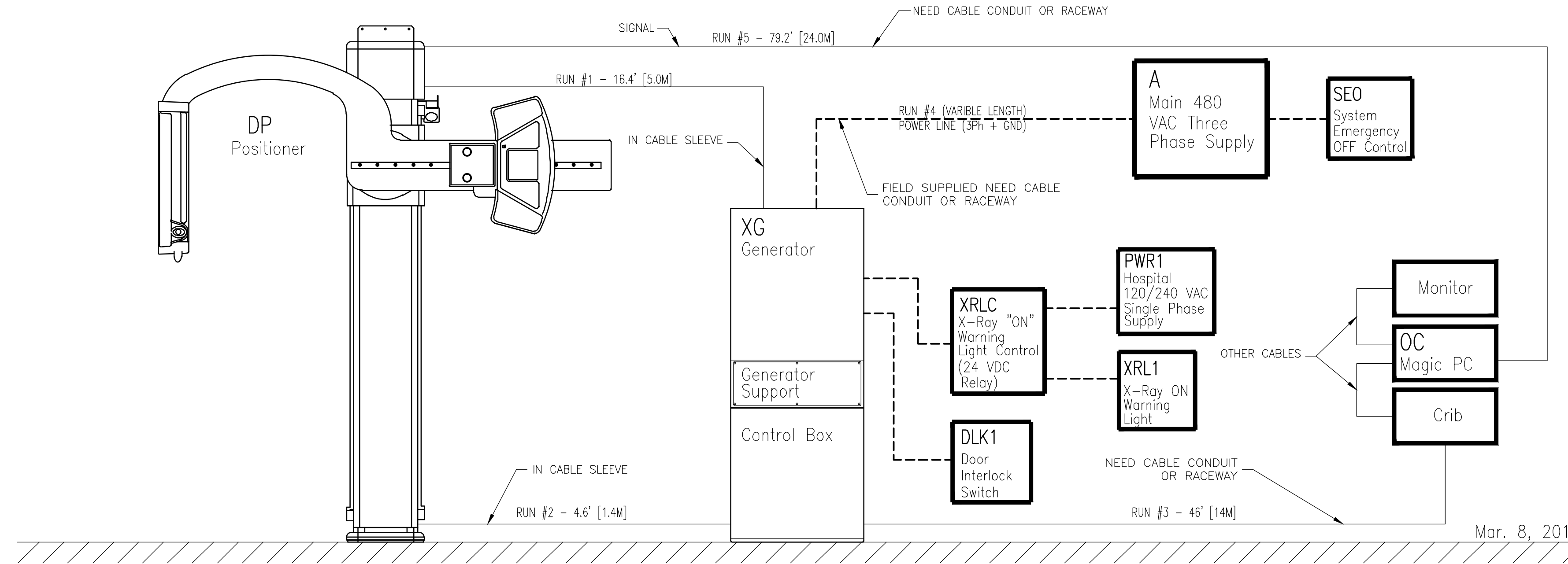
DATE: 18.Apr.11  
 DRAWN BY: REK  
 CHECKED BY: JDR

REVISION HISTORY:

SHEET  
 E1

INTERCONNECT DIAGRAM

Definium 5000 System Interconnect Runs



Mar. 8, 2011

POWER SPECIFICATIONS

DEFINIUM 5000 65kw GENERATOR REV. DATE: 03/10/11

VOLTAGE PRIMARY SOURCE IS REQUIRED FOR ALL INSTALLATIONS. RANGE OF LINE VOLTAGES NOMINAL LINE VOLTAGE OF 400 OR 480, 3 PHASE, WITHOUT NEUTRAL, 50 OR 60 Hz.

REQUIRED POWER SUPPLY: WYE OR DELTA DISTRIBUTION  
MAXIMUM DAILY VOLTAGE VARIATION MUST FALL WITHIN ONE OF THE RANGES IN TABLE A.

TABLE A ALLOWABLE INPUT VOLTAGES/CURRENT DEMAND

NOMINAL VOLTAGE	NORMAL RANGE ±10 PERCENT	CURRENT (AMPS)		MINIMUM STANDARD OVERCURRENT PROTECTION
		MAX. MOMENTARY	CONTINUOUS	
400	360-440	117	6.1	60-A
480	432-528	98	5.1	50-A

ALL CALCULATIONS BASED UPON NOMINAL VOLTAGE

NOTE LOW LINE CONDITIONS MAY INHIBIT SOME HIGH KVp TECHNIQUES. THE GENERATOR AUTOMATICALLY ESTABLISHES THESE INHIBITS BASED ON ACTUAL LINE CONDITIONS AND SYSTEM REGULATION.

PHASE-BALANCE. PHASE-TO-PHASE VOLTAGES MUST BE WITHIN +2 PERCENT OF THE LOWEST PHASE-TO-PHASE VOLTAGE. MAXIMUM ALLOWABLE TRANSIENT VOLTAGE EXCURSIONS ARE 2.5 PERCENT OF RATED LINE VOLTAGE AT A MAXIMUM DURATION OF 5 CYCLES AND FREQUENCY OF 10 TIMES PER HOUR.

POWER DEMAND CONTINUOUS POWER DEMAND = 4.2 KVA. (MAX DEMAND = 81.25 KVA)

TABLE B MAXIMUM MOMENTARY POWER DEMAND.

DEMAND	DEFINIUM
kVa * POWER FACTOR AT	81.25 0.73
mA	650
kVp	150

\* DEMAND INCLUDES POWER FOR ENTIRE SYSTEM. LINE VOLTAGE REGULATION AT MAXIMUM POWER DEMAND MUST BE LESS THAN OR EQUAL TO 6 PERCENT.

DISTRIBUTION TRANSFORMER FOR A SINGLE UNIT INSTALLATION, THE MINIMUM TRANSFORMER SIZE IS 112.5 KVA.

ELECTRICAL NOTES

- NOTE 1: ALL WIRES SPECIFIED SHALL BE COPPER STRANDED, FLEXIBLE, THERMO-PLASTIC, COLOR CODED, CUT 10 FOOT LONG AT OUTLET BOXES, DUCT TERMINATION POINTS OR STUBBED CONDUIT ENDS. ALL CONDUCTORS, POWER, SIGNAL AND GROUND, MUST BE RUN IN A CONDUIT OR DUCT SYSTEM. ELECTRICAL CONTRACTOR SHALL RING OUT AND TAG ALL WIRES AT BOTH ENDS. WIRE RUNS MUST BE CONTINUOUS COPPER STRANDED AND FREE FROM SPLICES. ALUMINUM OR SOLID WIRES ARE NOT ALLOWED.
- NOTE 2: WIRE SIZES GIVEN ARE FOR USE OF EQUIPMENT. LARGER SIZES MAY BE REQUIRED BY LOCAL CODES.
- NOTE 3: IT IS RECOMMENDED THAT ALL WIRES BE COLOR CODED, AS REQUIRED IN ACCORDANCE WITH NATIONAL AND LOCAL ELECTRICAL CODES.
- NOTE 4: CONDUIT SIZES SHALL BE VERIFIED BY THE ARCHITECT, ELECTRICAL ENGINEER OR CONTRACTOR, IN ACCORDANCE WITH LOCAL OR NATIONAL CODES.
- NOTE 5: CONVENIENCE OUTLETS ARE NOT ILLUSTRATED. THEIR NUMBER AND LOCATION ARE TO BE SPECIFIED BY OTHERS. LOCATE AT LEAST ONE CONVENIENCE OUTLET CLOSE TO THE SYSTEM CONTROL, THE POWER DISTRIBUTION UNIT AND ONE ON EACH WALL OF THE PROCEDURE ROOM. USE HOSPITAL APPROVED OUTLET OR EQUIVALENT.
- NOTE 6: GENERAL ROOM ILLUMINATION IS NOT ILLUSTRATED. CAUTION SHOULD BE TAKEN TO AVOID EXCESSIVE HEAT FROM OVERHEAD SPOTLIGHTS. DAMAGE CAN OCCUR TO CEILING MOUNTING COMPONENTS AND WIRING IF HIGH WATTAGE BULBS ARE USED. RECOMMEND LOW WATTAGE BULBS NO HIGHER THAN 75 WATTS AND USE DIMMER CONTROLS (EXCEPT MR). DO NOT MOUNT LIGHTS DIRECTLY ABOVE AREAS WHERE CEILING MOUNTED ACCESSORIES WILL BE PARKED.
- NOTE 7: ROUTING OF CABLE DUCTWORK, CONDUITS, ETC., MUST RUN DIRECT AS POSSIBLE OTHERWISE MAY RESULT IN THE NEED FOR GREATER THAN STANDARD CABLE LENGTHS (REFER TO THE INTERCONNECTION DIAGRAM FOR MAXIMUM USABLE LENGTHS POINT TO POINT).
- NOTE 8: CONDUIT TURNS TO HAVE LARGE, SWEEPING BENDS WITH MINIMUM RADIUS IN ACCORDANCE WITH NATIONAL AND LOCAL ELECTRICAL CODES.
- NOTE 9: A SPECIAL GROUNDING SYSTEM IS REQUIRED IN ALL PROCEDURE ROOMS BY SOME NATIONAL AND LOCAL CODES. IT IS RECOMMENDED IN AREAS WHERE PATIENTS MIGHT BE EXAMINED OR TREATED UNDER PRESENT, FUTURE, OR EMERGENCY CONDITIONS. CONSULT THE GOVERNING ELECTRICAL CODE AND CONFER WITH APPROPRIATE CUSTOMER ADMINISTRATIVE PERSONNEL TO DETERMINE THE AREAS REQUIRING THIS TYPE OF GROUNDING SYSTEM.
- NOTE 10: THE MAXIMUM POINT TO POINT DISTANCES ILLUSTRATED ON THIS DRAWING MUST NOT BE EXCEEDED.
- NOTE 11: PHYSICAL CONNECTION OF PRIMARY POWER TO GE EQUIPMENT IS TO BE MADE BY CUSTOMERS ELECTRICAL CONTRACTOR WITH THE SUPERVISION OF A GE REPRESENTATIVE. THE GE REPRESENTATIVE WOULD BE REQUIRED TO IDENTIFY THE PHYSICAL CONNECTION LOCATION, AND INSURE PROPER HANDLING OF GE EQUIPMENT.

DIAGRAM KEY

- CUSTOMER/CONTRACTOR SUPPLIED WIRING. ROUTE IN ADEQUATE CONDUIT OR RACEWAY.
- GE FURNISHED CABLE RUNS. ROUTE IN EMPTY CONDUIT OR RACEWAY.
- 59' [18M] MAXIMUM RUN LENGTH BETWEEN JUNCTION POINTS.  
Feet [Meters]

SHEET TITLE: ELECTRICAL SPECIFICATIONS  
MODALITY TYPE: DEFINIUM 5000

THIS PLAN IS SUBMITTED TO SUBMIT LOCATION OF GE HEALTHCARE EQUIPMENT AND ASSOCIATED APPARATUS. ELECTRICAL WIRING DETAILS AND ROOM ARRANGEMENTS IN PREPARING THIS PLAN, EVERY EFFORT HAS BEEN MADE TO CONFORM TO DETAILS OF THE ARCHITECT'S DRAWINGS. IT IS NOT INTENDED TO BE USED FOR CONSTRUCTION PURPOSES. THE COMPANY CANNOT ACCEPT RESPONSIBILITY FOR ANY DAMAGES RESULTING THEREFROM.

PROJECT TITLE:  
1-136f  
TYPICAL LAYOUT

PROJECT	REVISION
1-136f	03

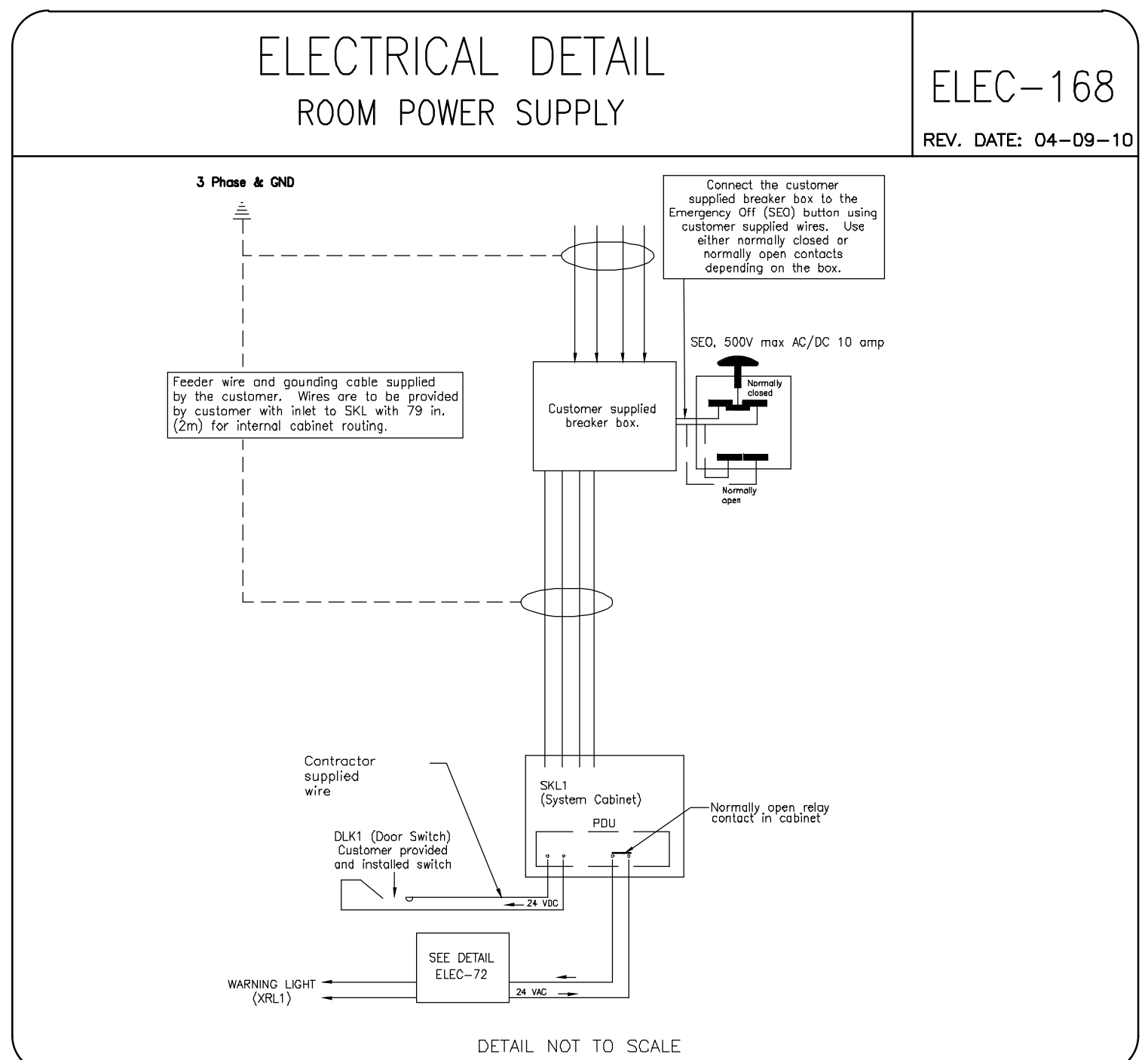
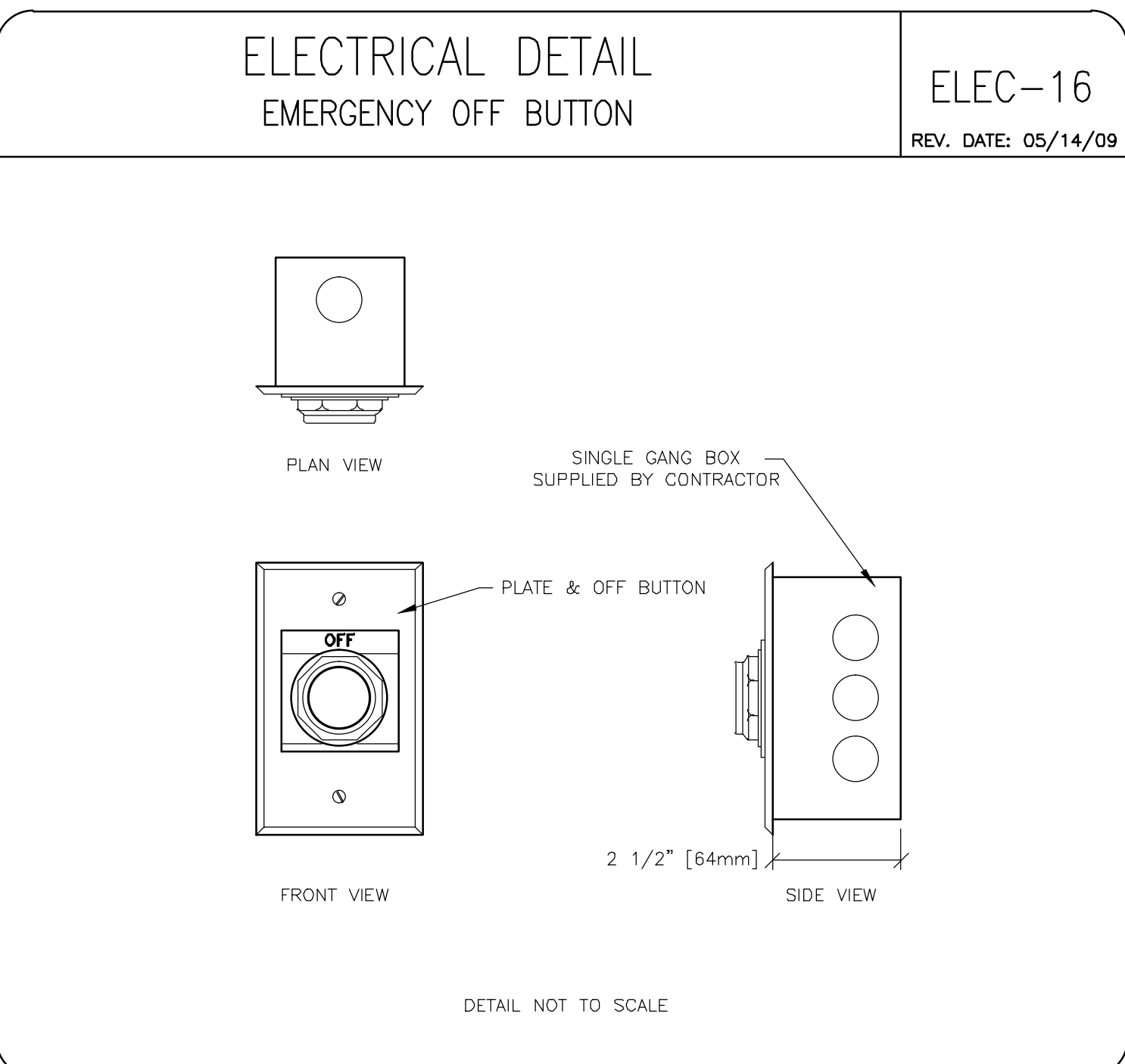
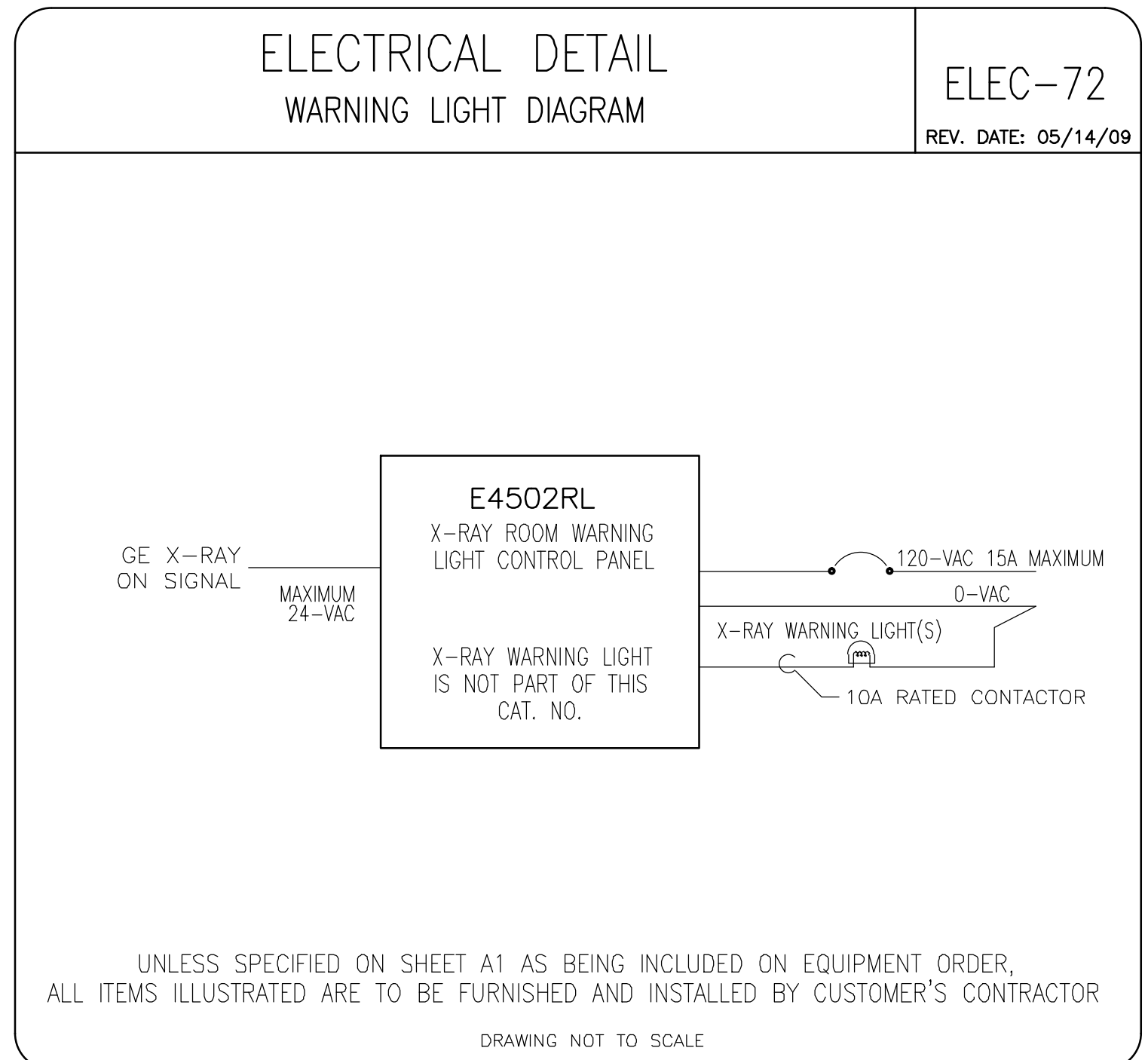
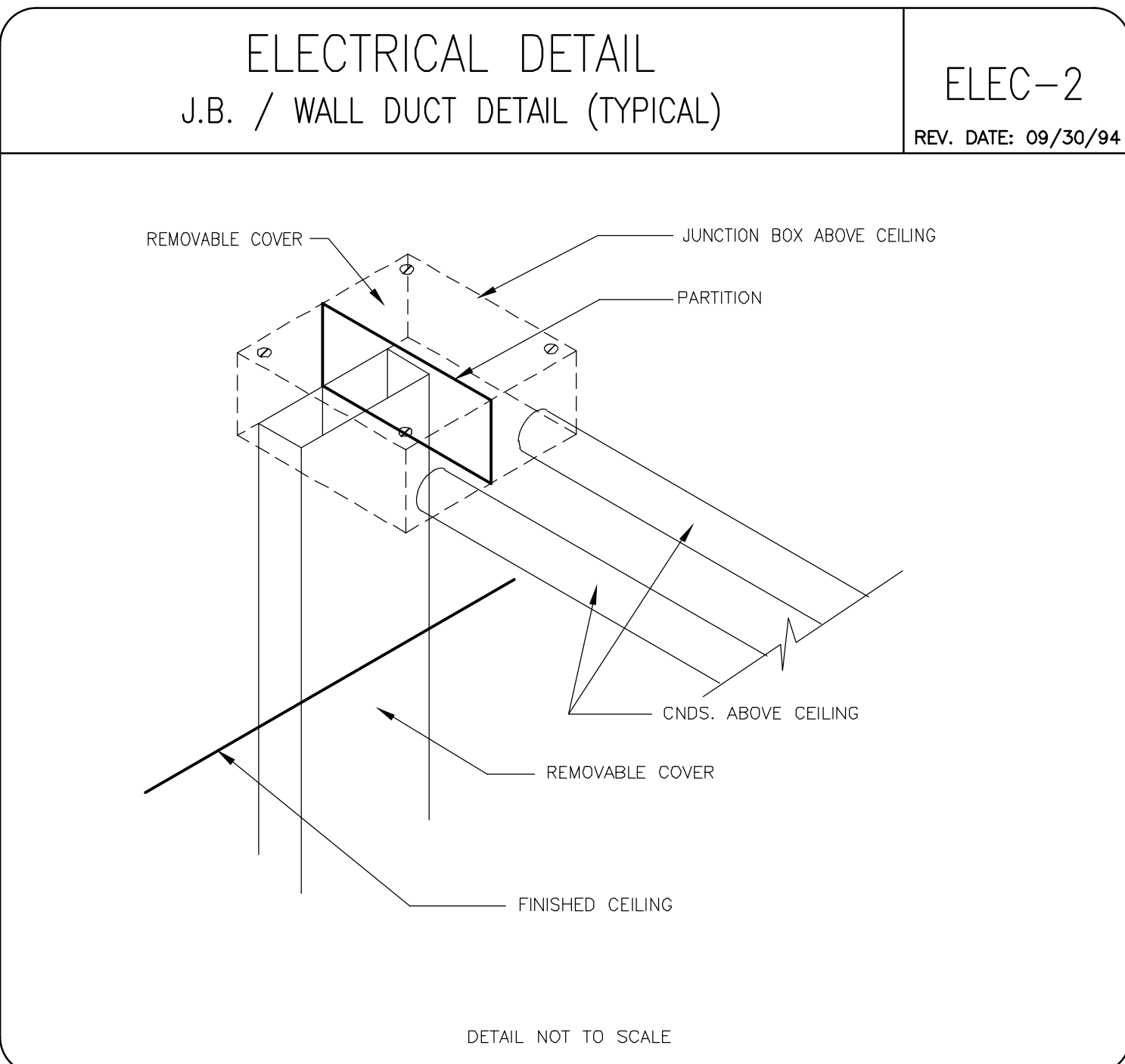
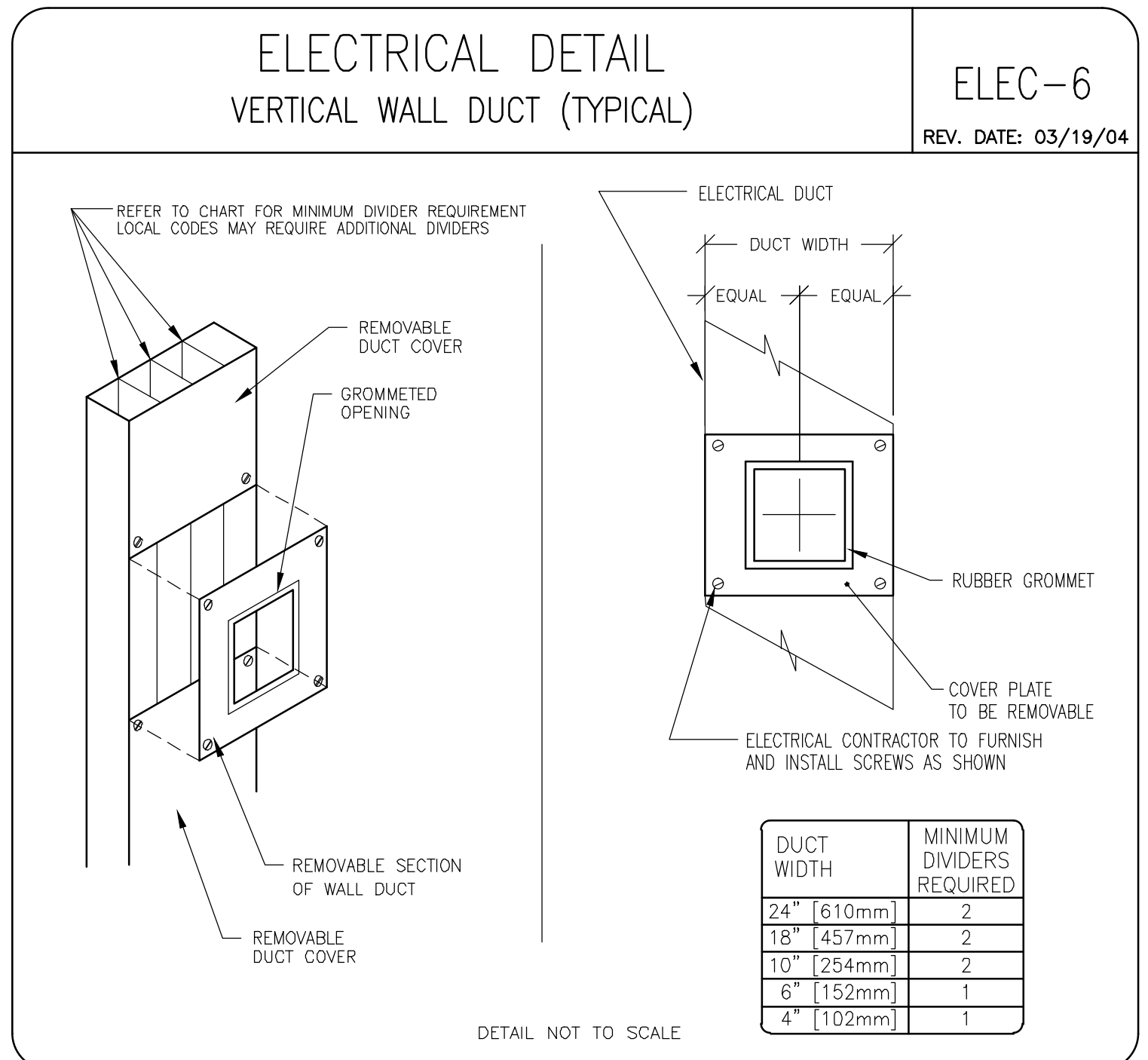
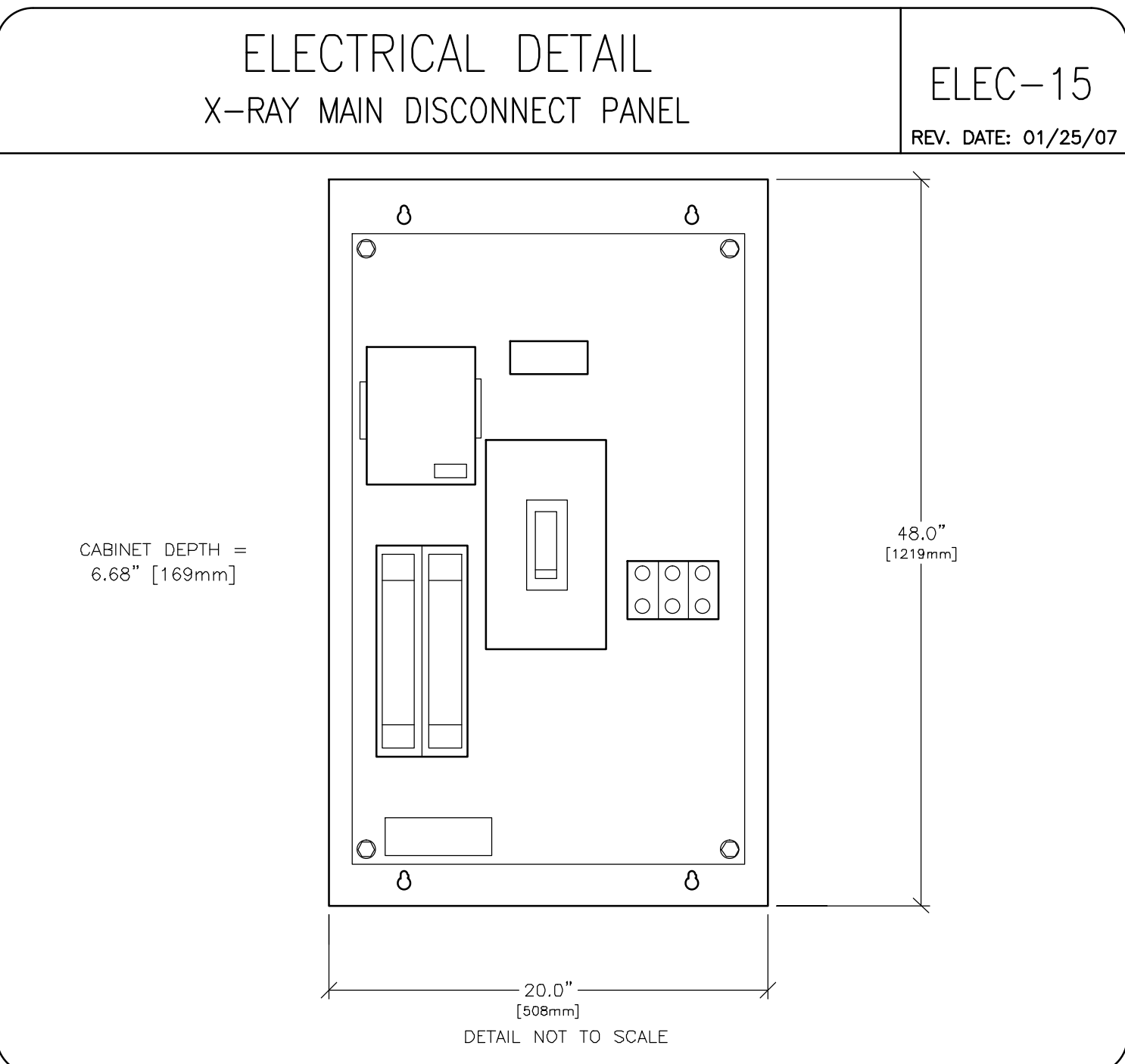
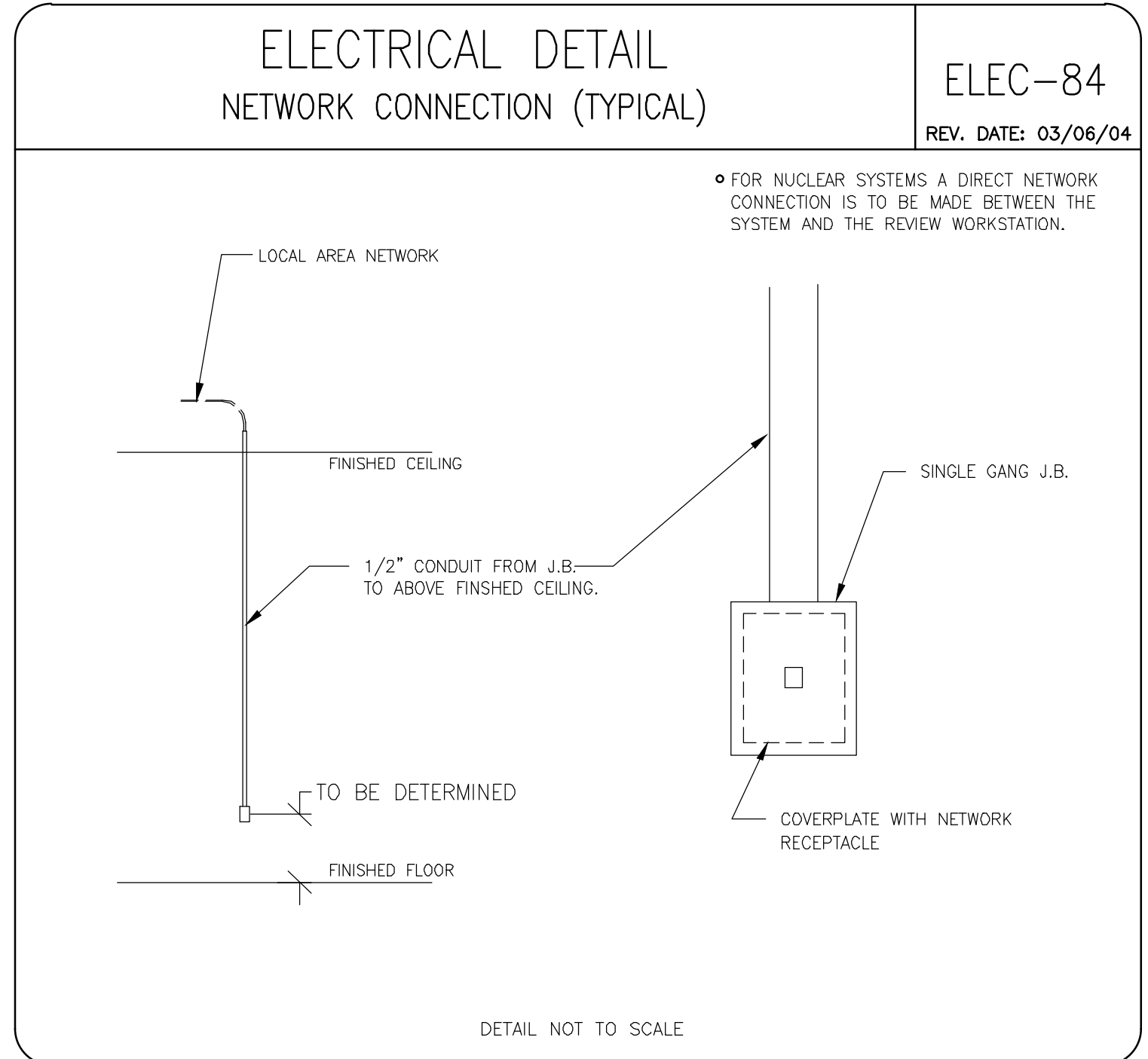
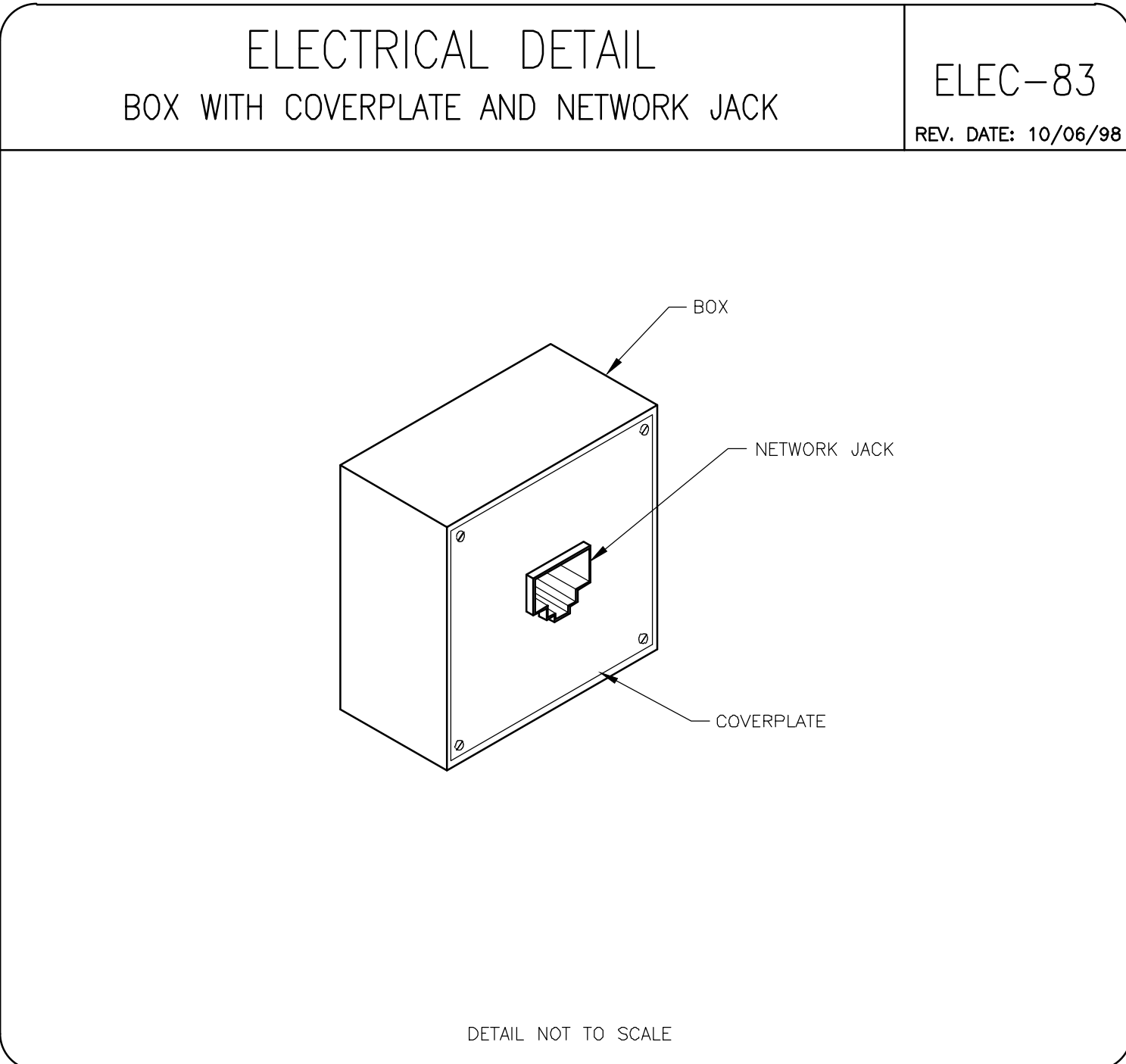
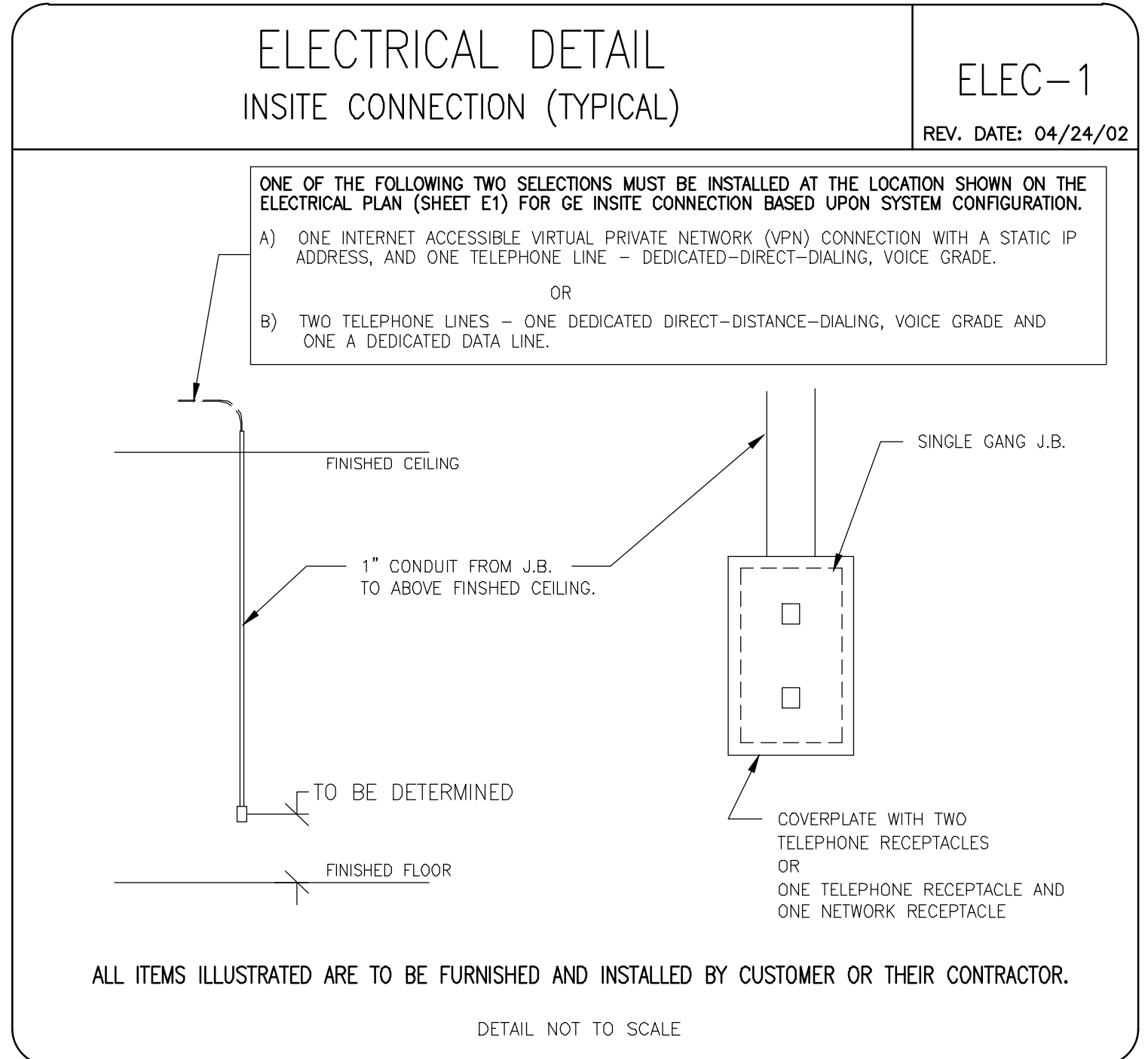
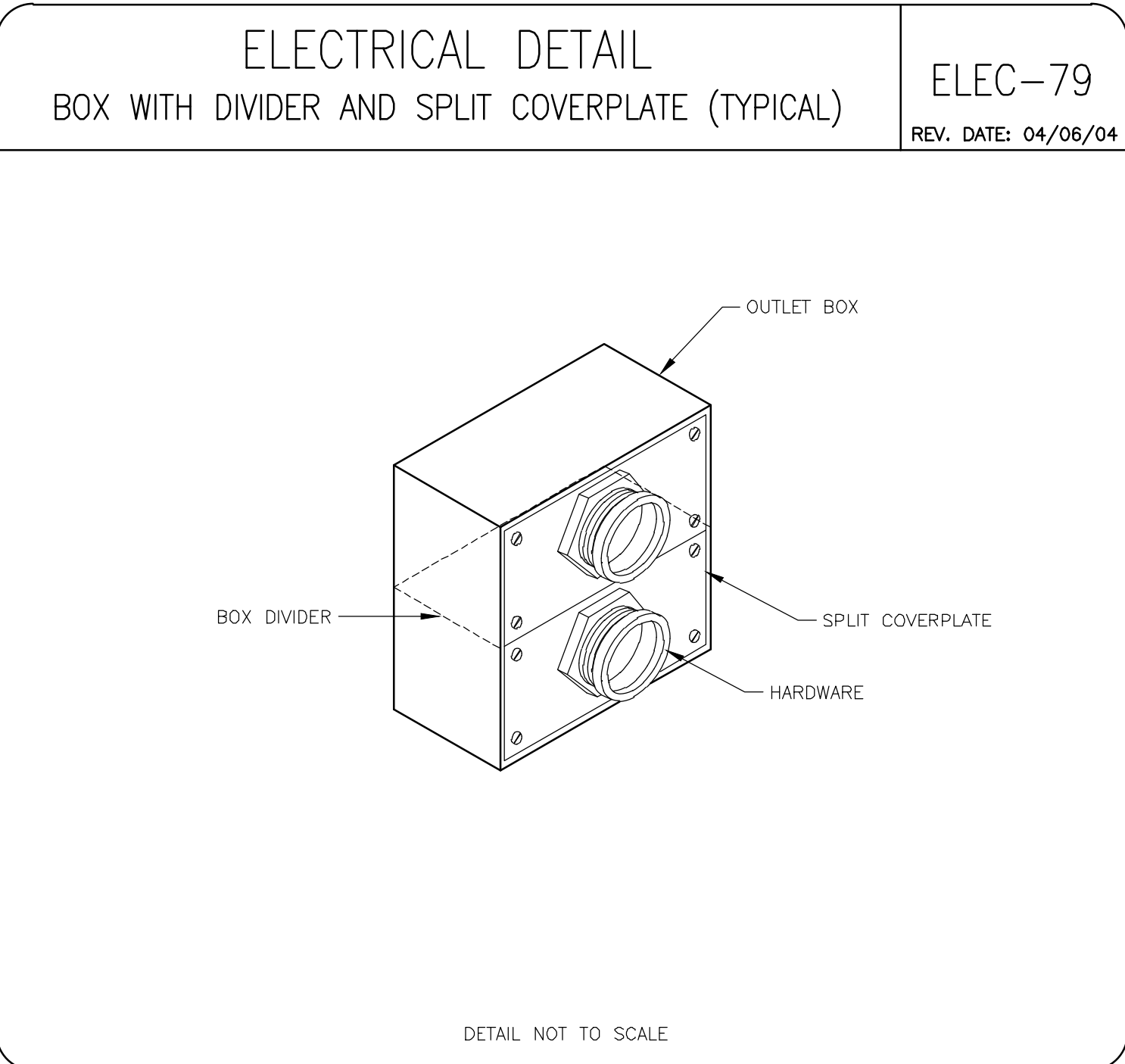
DATE: 18.Apr.11  
DRAWN BY: REK  
CHECKED BY: JDR

REVISION HISTORY:  
\_\_\_\_\_  
\_\_\_\_\_  
\_\_\_\_\_

SHEET  
E2

GE Healthcare  
IS Services Design Center  
Minneapolis, Wisconsin

PIM R7



**GE Healthcare**  
IS Services Design Center  
Minneapolis, Wisconsin

SHEET TITLE: ELECTRICAL DETAILS  
MODALITY TYPE: DEFINUM 5000

THIS PLAN IS SUBMITTED TO SURVEY THE EQUIPMENT AND ASSOCIATED APPLICABLE ELECTRICAL WIRING DETAILS AND ROOM ARRANGEMENTS IN PREPARING THIS PLAN. EVERY EFFORT HAS BEEN MADE TO CONFORM DETAILS TO THE MANUFACTURER'S DRAWINGS. IT IS NOT TO BE USED FOR CONSTRUCTION PURPOSES UNLESS THE COMPANY CANNOT ACCEPT RESPONSIBILITY FOR ANY DAMAGES RESULTING THEREFROM.

PROJECT TITLE:  
**1-136f**  
TYPICAL LAYOUT

PROJECT	REVISION
1-136f	03
DATE:	18.Apr.11
DRAWN BY:	REK
CHECKED BY:	JDR

REVISION HISTORY:

SHEET  
**E3**



**EQUIPMENT DETAIL**  
DEFINIUM 5000 POSITIONER

**B5000C**  
REV. DATE: 03/08/11  
CENTER OF GRAVITY

DETECTOR "FIXED" TABLE POSITION  
MAX ARM HEIGHT=104.3" [2650mm]

DETAIL NOT TO SCALE

**EQUIPMENT DETAIL**  
EQUIPMENT SHIPPING DETAIL

**B5000S**  
REV. DATE: 09/17/07

COMPONENT CRATED	WEIGHT lb [kg]	DIMENSIONS		
		LENGTH in. [mm]	WIDTH in. [mm]	HEIGHT in. [mm]
POSITIONER, X-RAY TUBE COLLIMATOR, DETECTOR ASSEMBLY AND OTHER COMPONENTS (CRATE 1)	1287 [584]	80.5" [2050]	34.8" [870]	41" [1050]
SYSTEM CABINET WITH DOLLY (CRATE 2)	874 [374]	44" [1120]	33" [820]	75" [1900]
MAGIC PC AND FLAT PANEL DISPLAY (CRATE 3)	128 [58]	42.1" [1070]	24.4" [620]	28.7" [730]
LAMINATED MOBILE TABLE (OPTIONAL) (CRATE 3)	164 [74.5]	90.0" [2285]	34.8" [885]	51" [130]
CARBON FIBER MOBILE TABLE (OPTIONAL) (CRATE 3)	154 [70]	90.5" [2300]	30" [770]	9" [230]
ELEVATING MOBILE TABLE (OPTIONAL) (CRATE 3)	540 [240]	94.9" [2410]	33.8" [860]	38.2" [970]
IMAGING PASTING BARRIER (OPTIONAL) (OPTIONAL CRATE)	625 [282]	98" [2440]	37" [940]	50" [1270]
DIGITAL DETECTOR (BOX)	50 [22.7]	47" [1194]	25" [635]	36" [915]

COMPONENT CRATED	WEIGHT lb [kg]	DIMENSIONS		
		LENGTH in. [mm]	WIDTH in. [mm]	HEIGHT in. [mm]
POSITIONER WITH DOLLY (HORIZONTAL TRAVEL POSITION)	1056 [480]	177.5" [4510]	35" [890]	45" [1140]
POSITIONER WITH DOLLY (VERTICAL TRAVEL POSITION)	1056 [480]	53" [1340]	35" [890]	94.4" [2400]
SYSTEM CABINET WITH DOLLY	892 [374]	49" [1250]	31" [790]	66" [1680]
LAMINATED MOBILE TABLE (OPTIONAL)	88 [40]	79" [2000]	25.5" [650]	27.5" [700]
CARBON FIBER MOBILE TABLE (OPTIONAL)	70.5 [32]	87" [2200]	25.5" [650]	27.5" [700]
ELEVATING MOBILE TABLE (OPTIONAL)	200 [90.7]	89.4" [2271]	26.5" [673]	MAX = 34.5" [MAX = 876]
IMAGING PASTING BARRIER (OPTIONAL)	200 [90.7]	58" [1517]	28.3" [718]	80.9" [2054]
DIGITAL DETECTOR	15.6 [7.1]	23" [584]	18.5" [470]	1" [25.4]

**EQUIPMENT DETAIL**  
DEFINIUM 5000 SHIPPING DETAIL

**B5000T**  
REV. DATE: 09/17/07

CONFIGURATION	DIMENSIONS			ABSOLUTE MIN. CORRIDOR	MAX. DOOR OPENING BASED ON MIN. CORRIDOR	PERSONS NEEDED	COMMENT
	LENGTH in. [mm]	WIDTH in. [mm]	HEIGHT in. [mm]				
POSITIONER CRATED	90.5 [2299]	34 [863]	41 [1041]	5'-0"	4'-10"	2	SEE LIFTING PROCEDURE DIRECTION 5192967-100, DEFINIUM 5000 PREINSTALLATION
POSITIONER UNCRATED	111 [2819]	35 [889]	45 [1143]	5'-6"	5'-8"	2	SEE LIFTING PROCEDURE DIRECTION 5192968-100, DEFINIUM 5000 INSTALLATION (MECHANICAL)
POSITIONER ON LIFTING DELIVERY FIXTURE INTERMEDIATE LOCATION	95 [2413]	35 [889]	91 [2311]	5'-2"	5'-4"	2	
SYSTEM CABINET CRATED	44 [1117]	32 [812]	75 [1905]	NA	NA	2	
SYSTEM CABINET UNCRATED	49 [1245]	31 [787]	66 [1676]	NA	NA	2	
LAMINATED MOBILE TABLE CRATED	90 [2286]	34.8 [879]	5 [127]	NA	NA	2	
CARBON FIBER TABLE CRATED	90 [2286]	30 [762]	9 [228.6]	NA	NA	2	
ELEVATING MOBILE TABLE CRATED	95 [2413]	34 [863]	38 [965]	NA	NA	2	
IMAGE PASTING BARRIER CRATED	96 [2438]	37 [940]	50 [1270]	NA	NA	2	
DIGITAL DETECTOR BOX	47 [1194]	25 [635]	36 [914]	NA	NA	2	

**EQUIPMENT DETAIL**  
DEFINIUM 5000 POSITIONER

**B5000H**  
REV. DATE: 03/17/11

DIMENSIONS OF POSITIONER

DETAIL NOT TO SCALE

**EQUIPMENT DETAIL**  
WEIGHT BEARING ROLLING STAND

**B30-044**  
REV. DATE: 03/08/11

DETAIL NOT TO SCALE

**EQUIPMENT DETAIL**  
DEFINIUM 5000/XR640 IMAGE PASTE BARRIER

**B05-57T**  
REV. DATE: 06/06/09

DETAIL NOT TO SCALE

**EQUIPMENT DETAIL**  
LAMINATED TABLE

**B5000B**  
REV. DATE: 02/12/07

DETAIL NOT TO SCALE

**EQUIPMENT DETAIL**  
CARBON FIBER TABLE

**B5000A**  
REV. DATE: 02/12/07

DETAIL NOT TO SCALE

**EQUIPMENT DETAIL**  
18" FLAT PANEL MONITOR

**C76-17**  
REV. DATE: 08/28/09

DETAIL NOT TO SCALE

**EQUIPMENT DETAIL**  
RCIM WITH DL KEYBOARD CONSOLE

**C75-02**  
REV. DATE: 10/25/10

DETAIL NOT TO SCALE

**EQUIPMENT DETAIL**  
DEFINIUM 5000 GENERATOR CABINET

**B5000**  
REV. DATE: 12/28/07

DETAIL NOT TO SCALE

**GE Healthcare**  
IS Services Design Center  
Milwaukee, Wisconsin

SHEET TITLE: EQUIPMENT DETAILS  
MODALITY TYPE: DEFINIUM 5000

THIS PLAN IS SUBMITTED TO SUBJECT LOCATION OF GE HEALTHCARE EQUIPMENT AND ASSOCIATED ELECTRICAL WIRING DETAILS AND ROOM ARRANGEMENTS IN PREPARING THIS PLAN, EVERY EFFORT HAS BEEN MADE TO CONFORM DETAILS TO THE MANUFACTURER'S DIMENSIONS AND TO BE INSTALLED TO CONFORM TO ALL LOCAL AND NATIONAL ELECTRICAL CODES. GE HEALTHCARE CANNOT BE HELD RESPONSIBLE FOR ANY DAMAGES RESULTING THEREFROM.

PROJECT TITLE:  
**1-136f**  
**TYPICAL LAYOUT**

PROJECT	REVISION
1-136f	03
DATE:	18.Apr.11
DRAWN BY:	REK
CHECKED BY:	JDR

REVISION HISTORY:

SHEET  
**D1**